

# Cable trunking SES with slots and base punching



GN-A6/4

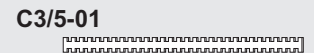
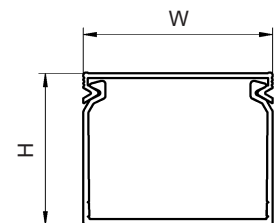


## GN-A6/4 LF

**Material:** Rigid PVC quality 9051 LF  
**Colour:** grey RAL7030  
**Operating temperatures:** -5 to +65°C  
**Volume resistivity:** 10<sup>15</sup> Ω.cm  
**Dielectric strength:** 15kV/mm  
**Flame resistance:** V0 UL94  
**Spécification:** DIN 5510-2  
**Standard length:** 2 meters  
**Double sided adhesive:** upon request  
**Minimum delivery:** 1 complete packing (with lids)



type	trunking art. no.	m	outside dim.		cables per trunking (filling 50 %)			lids (alone)		
			H mm	W mm	1 mm <sup>2</sup>	1,5 mm <sup>2</sup>	2,5 mm <sup>2</sup>	art. no.	m	
<b>GN-A6/4</b>	<b>15 x 15*</b>	0839 0111 013	96	20	18	15	13	11	0839 0490 013	48
GN-A6/4	30 x 25	0839 0131 013	60	30	25	37	31	26	0839 0500 013	48
GN-A6/4	30 x 40	0839 0132 013	36	30	40	68	56	47	0839 0510 013	24
GN-A6/4	40 x 25	0839 0141 013	48	40	25	52	43	36	0839 0500 013	48
GN-A6/4	40 x 30	0839 0146 013	36	40	30	66	54	45	0839 0505 013	24
GN-A6/4	40 x 40	0839 0142 013	32	40	40	94	77	64	0839 0510 013	24
GN-A6/4	40 x 60	0839 0143 013	24	40	60	149	122	102	0839 0520 013	24
GN-A6/4	40 x 80	0839 0144 013	24	40	80	204	168	140	0839 0530 013	24
GN-A6/4	40 x 100	0839 0145 013	12	40	100	259	213	178	0839 0540 013	12
GN-A6/4	60 x 25	0839 0151 013	48	60	25	80	66	55	0839 0500 013	48
GN-A6/4	60 x 30	0839 0157 013	40	60	30	102	83	70	0839 0505 013	24
GN-A6/4	60 x 40	0839 0152 013	32	60	40	144	118	99	0839 0510 013	24
GN-A6/4	60 x 60	0839 0153 013	24	60	60	229	188	157	0839 0520 013	24
GN-A6/4	60 x 80	0839 0154 013	16	60	80	313	257	215	0839 0530 013	24
GN-A6/4	60 x 100	0839 0155 013	16	60	100	398	327	273	0839 0540 013	12
GN-A6/4	60 x 120	0839 0156 013	12	60	120	483	397	332	0839 0550 013	12
GN-A6/4	80 x 25	0839 0161 013	24	80	25	107	88	74	0839 0500 013	48
GN-A6/4	80 x 30	0839 0167 013	24	80	30	136	112	94	0839 0505 013	24
GN-A6/4	80 x 40	0839 0162 013	24	80	40	193	159	133	0839 0510 013	24
GN-A6/4	80 x 60	0839 0163 013	24	80	60	308	253	211	0839 0520 013	24
GN-A6/4	80 x 80	0839 0164 013	16	80	80	422	347	290	0839 0530 013	24
GN-A6/4	80 x 100	0839 0165 013	12	80	100	537	441	369	0839 0540 013	12
GN-A6/4	80 x 120	0839 0166 013	16	80	120	652	535	447	0839 0550 013	12
GN-A6/4	100 x 30	0839 0170 013	32	100	30	169	138	116	0839 0505 013	24
GN-A6/4	100 x 40	0839 0171 013	24	100	40	240	198	165	0839 0510 013	24
GN-A6/4	100 x 60	0839 0172 013	16	100	60	384	316	264	0839 0520 013	24
GN-A6/4	100 x 80	0839 0173 013	16	100	80	529	435	363	0839 0530 013	24
GN-A6/4	100 x 100	0839 0174 013	16	100	100	673	553	462	0839 0540 013	12
GN-A6/4	100 x 150	0839 0175 013	8	100	150	1034	849	710	0839 0560 013	12



\* Different geometry (inside dimensions 15x15 mm). Plan on request.

# Cable trunking SES with slots and base punching



GN-A6/4

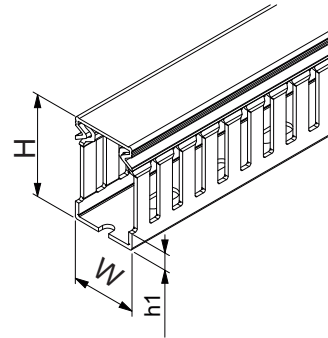
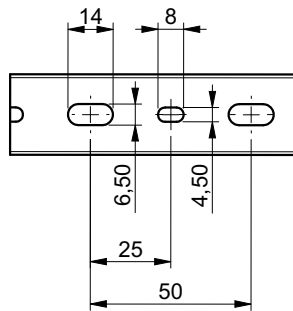
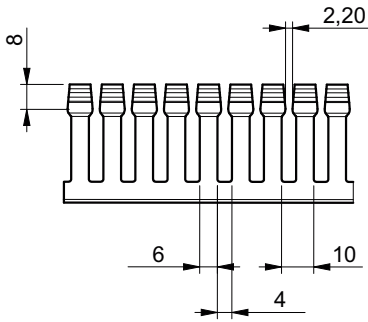


GN-A6/4 15x15: Different geometry (inside dimensions 15x15 mm). Plan on request.

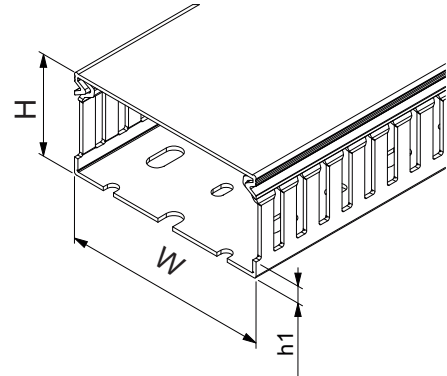
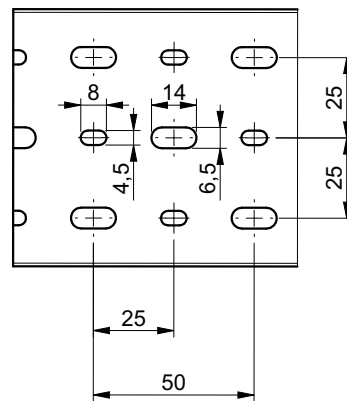
## GN-A6/4 LF

H = 30 mm  
H = 40 mm

W 25, 30, 40, 60

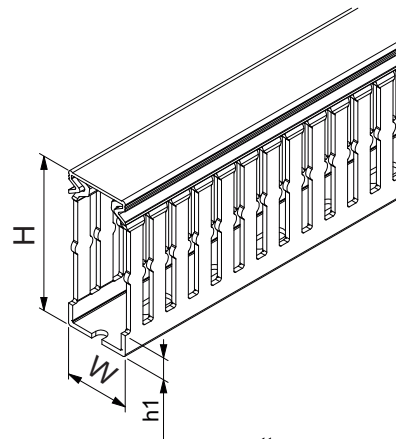
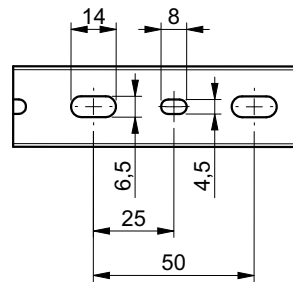
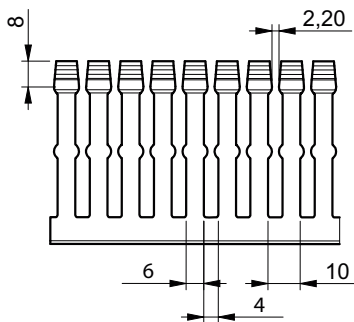


W 80, 100

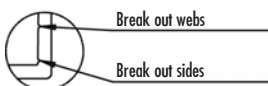
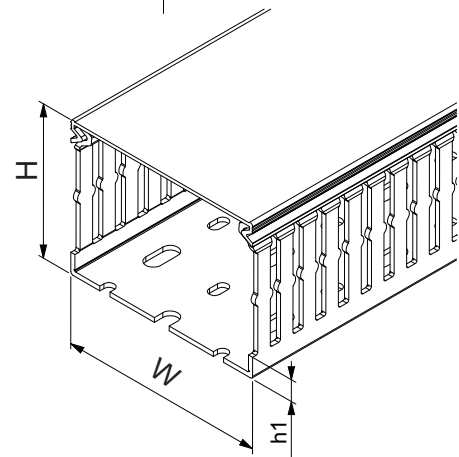
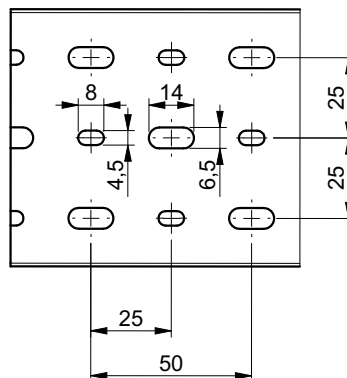


H = 60 mm  
H = 80 mm  
H = 100 mm

W 25, 30, 40, 60



W 80, 100, 120, 150



Base punching to NF EN 50085

H (mm)	30	40	60	80	100
h1 (mm)	5	7	9	11	16



# Cable trunking SES with slots and base punching

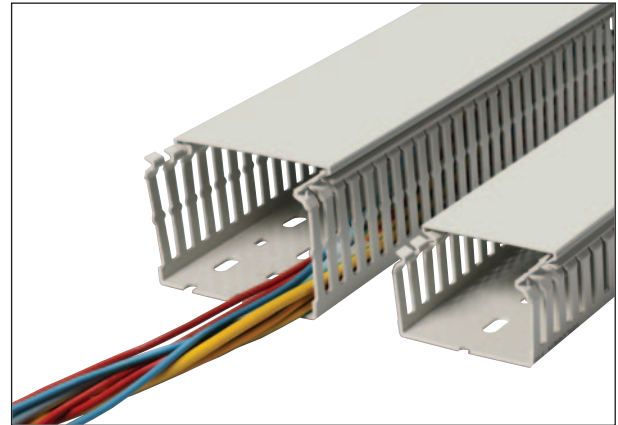




GN-HF-A6/4

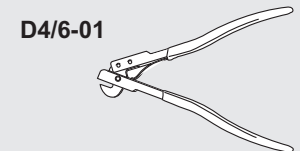
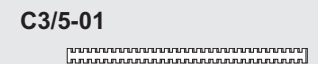
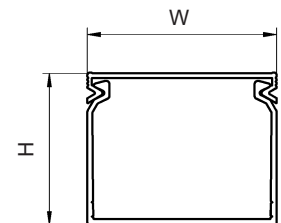


## GN-HF-A6/4

**Material:** PC/ABS  
**Colour:** light grey RAL7035  
**Operating temperatures:** -25 to +90°C  
**Volume resistivity:**  $10^{15} \Omega \cdot \text{cm}$   
**Dielectric strength:** 35kV/mm  
**Flame resistance:** V0 UL94  
**Specifications:** NF F 16-101/102  
 DIN 5510-2  
 EN 45545-2  
 halogene free  
**Standard length:** 2 meters  
**Double sided adhesive:** upon request  
**Minimum delivery:** 1 complete packing (with lids)



type	trunking art. no.	 m	outside dim.		cables per trunking (filling 50 %)			lids (alone)		 m
			H mm	W mm	1 mm <sup>2</sup>	1,5 mm <sup>2</sup>	2,5 mm <sup>2</sup>	art. no.	m	
GN-HF-A6/4 30 x 30	0850 0133 025	48	30	30	48	39	33	0850 0505 025	24	
GN-HF-A6/4 40 x 25	0850 0141 025	48	40	25	52	43	36	0850 0500 025	48	
GN-HF-A6/4 40 x 40	0850 0142 025	32	40	40	94	77	64	0850 0510 025	24	
GN-HF-A6/4 40 x 60	0850 0143 025	24	40	60	149	122	102	0850 0520 025	24	
GN-HF-A6/4 40 x 80	0850 0144 025	24	40	80	204	168	140	0850 0530 025	24	
GN-HF-A6/4 60 x 25	0850 0151 025	48	60	25	80	66	55	0850 0500 025	48	
GN-HF-A6/4 60 x 40	0850 0152 025	32	60	40	144	118	99	0850 0510 025	24	
GN-HF-A6/4 60 x 60	0850 0153 025	24	60	60	229	188	157	0850 0520 025	24	
GN-HF-A6/4 60 x 80	0850 0154 025	16	60	80	313	257	215	0850 0530 025	24	
GN-HF-A6/4 80 x 25	0850 0161 025	24	80	25	107	88	74	0850 0500 025	48	
GN-HF-A6/4 80 x 40	0850 0162 025	24	80	40	193	159	133	0850 0510 025	24	
GN-HF-A6/4 80 x 60	0850 0163 025	24	80	60	308	253	211	0850 0520 025	24	
GN-HF-A6/4 80 x 80	0850 0164 025	16	80	80	422	347	290	0850 0530 025	24	
GN-HF-A6/4 80 x 100	0850 0165 025	12	80	100	537	441	369	0850 0540 025	12	
GN-HF-A6/4 100 x 30	0850 0170 025	32	100	30	169	138	116	0850 0505 025	24	
GN-HF-A6/4 100 x 60	0850 0172 025	16	100	60	384	316	264	0850 0520 025	24	



**Cable trunking SES**  
with slots and base punching

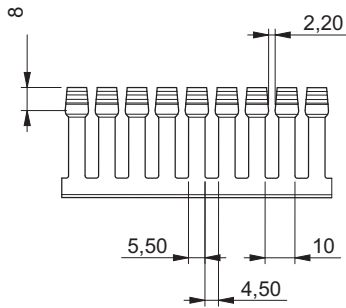


**GN-HF-A6/4**

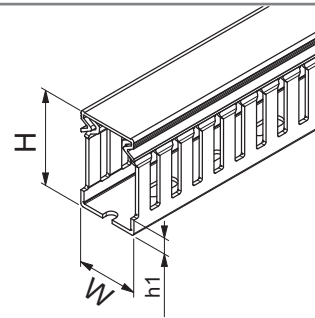
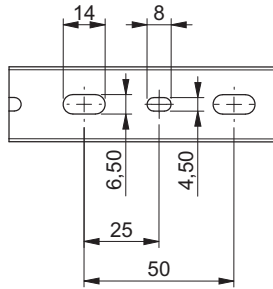


**GN-HF-A6/4**

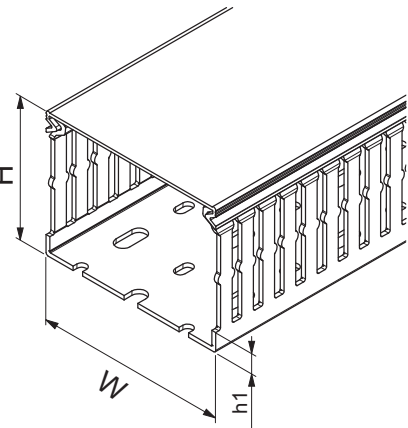
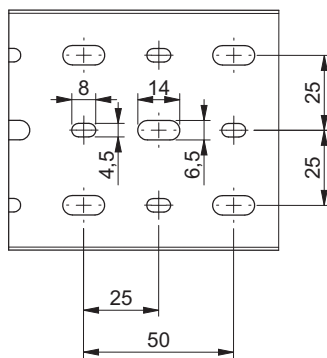
**H = 30 mm**  
**H = 40 mm**



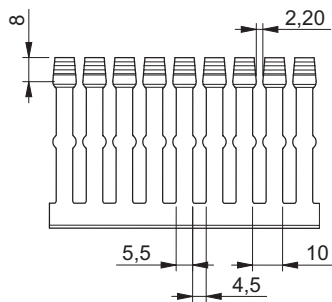
W 25, 30, 40, 60



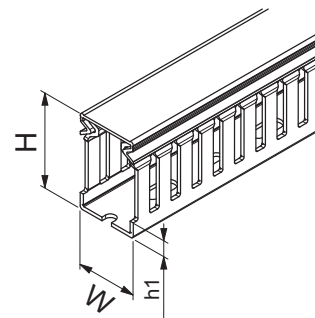
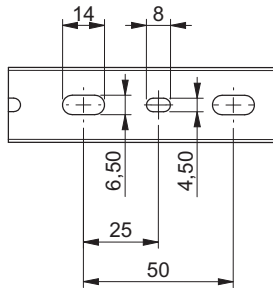
W 80



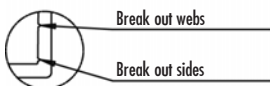
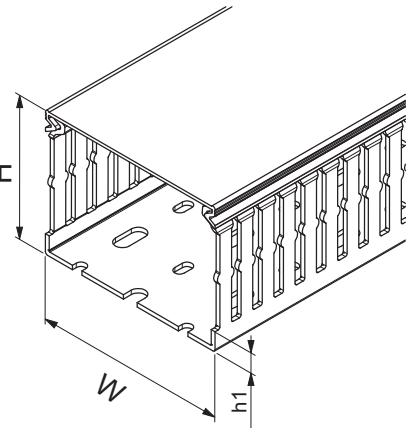
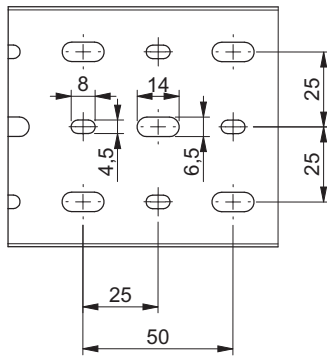
**H = 60 mm**  
**H = 80 mm**  
**H = 100 mm**



W 25, 30, 40, 60



W 80, 100



Base punching to NF EN 50085

H (mm)	30	40	60	80	100
h1 (mm)	4,3	6,5	8,3	10,3	15



# Cable trunking SES with slots and base punching

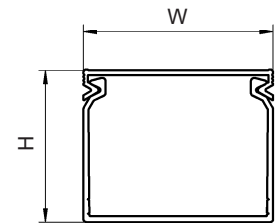
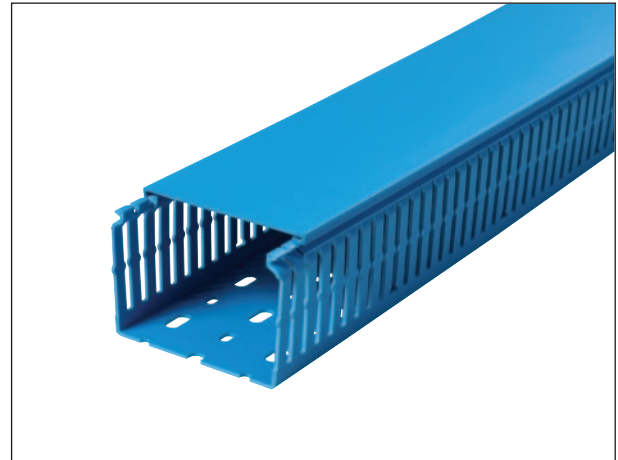




GN-A6/4

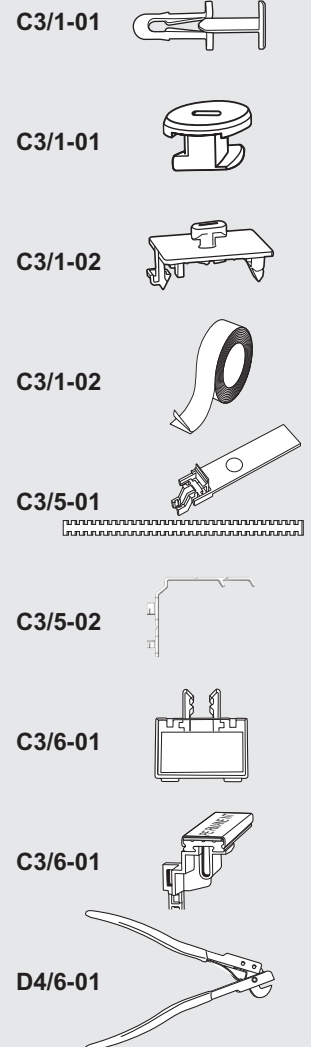


## GN-A6/4 blue

**Material:** rigid PVC quality 9051 LF  
**Colour:** light blue, RAL 5015  
**Operating temperatures:** -5 to +65°C  
**Volume resistivity:**  $10^{15} \Omega \cdot \text{cm}$   
**Dielectric strenght:** 15 kV/mm  
**Flame resistance:** V0 UL94  
**Standard length:** 2 meters  
**Double sided adhesive:** upon request  
**Minimum delivery:** 1 complete packing (with lids)  
**Application:** integrally safe areas.



type	trunking art. no.	 m	outside dim.		cables per trunking (filling 50 %)			lids (alone)		
			H mm	W mm	1 mm <sup>2</sup>	1,5 mm <sup>2</sup>	2,5 mm <sup>2</sup>	art. no.	 m	
<b>GN-A6/4</b>	<b>30 x 25</b>	0839 0131 083	60	30	25	37	31	26	0839 0500 083	48
<b>GN-A6/4</b>	<b>40 x 25</b>	0839 0141 083	48	40	25	52	43	36	0839 0500 083	48
<b>GN-A6/4</b>	<b>40 x 30</b>	0839 0146 083	36	40	30	66	54	45	0839 0505 083	24
<b>GN-A6/4</b>	<b>40 x 40</b>	0839 0142 083	32	40	40	94	77	64	0839 0510 083	24
<b>GN-A6/4</b>	<b>60 x 25</b>	0839 0151 083	48	60	25	80	66	55	0839 0500 083	48
<b>GN-A6/4</b>	<b>60 x 30</b>	0839 0157 083	40	60	30	102	83	70	0839 0505 083	24
<b>GN-A6/4</b>	<b>60 x 40</b>	0839 0152 083	32	60	40	144	118	99	0839 0510 083	24
<b>GN-A6/4</b>	<b>60 x 60</b>	0839 0153 083	24	60	60	229	188	157	0839 0520 083	24
<b>GN-A6/4</b>	<b>60 x 80</b>	0839 0154 083	16	60	80	313	257	215	0839 0530 083	24
<b>GN-A6/4</b>	<b>80 x 25</b>	0839 0161 083	24	80	25	107	88	74	0839 0500 083	48
<b>GN-A6/4</b>	<b>80 x 30</b>	0839 0167 083	24	80	30	136	112	94	0839 0505 083	24
<b>GN-A6/4</b>	<b>80 x 40</b>	0839 0162 083	24	80	40	193	159	133	0839 0510 083	24
<b>GN-A6/4</b>	<b>80 x 60</b>	0839 0163 083	24	80	60	308	253	211	0839 0520 083	24
<b>GN-A6/4</b>	<b>80 x 80</b>	0839 0164 083	16	80	80	422	347	290	0839 0530 083	24
<b>GN-A6/4</b>	<b>80 x 100</b>	0839 0165 083	12	80	100	537	441	369	0839 0540 083	12
<b>GN-A6/4</b>	<b>80 x 120</b>	0839 0166 083	16	80	120	652	535	447	0839 0550 083	12
<b>GN-A6/4</b>	<b>100 x 60</b>	0839 0172 083	16	100	60	384	316	264	0839 0520 083	24
<b>GN-A6/4</b>	<b>100 x 80</b>	0839 0173 083	16	100	80	529	435	363	0839 0530 083	24
<b>GN-A6/4</b>	<b>100 x 100</b>	0839 0174 083	16	100	100	673	553	462	0839 0540 083	12



**Cable trunking SES**  
with slots and base punching

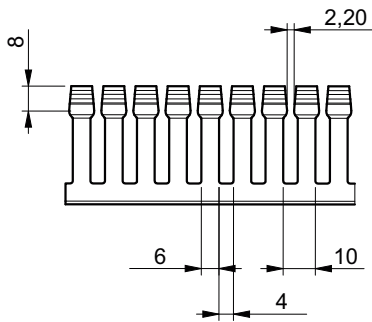


GN-A6/4

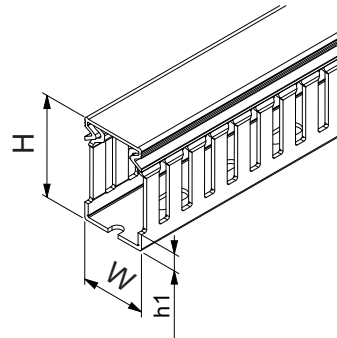
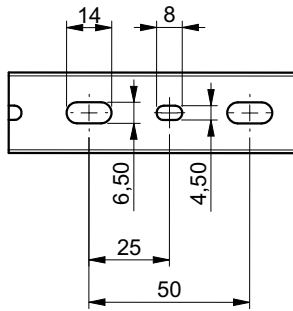


**GN-A6/4 blue**

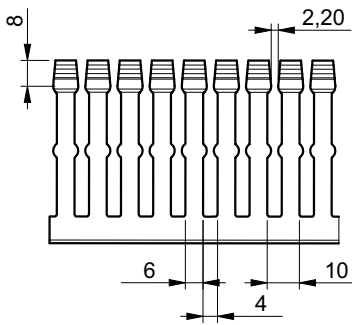
H = 30 mm  
H = 40 mm



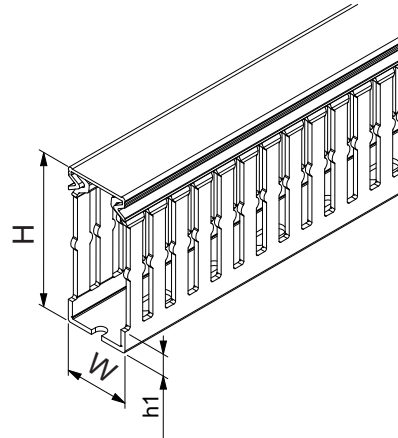
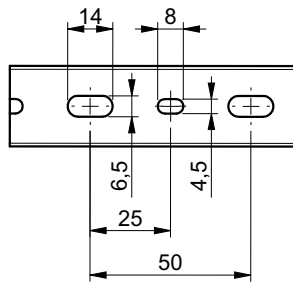
W 25, 30, 40



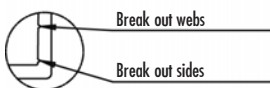
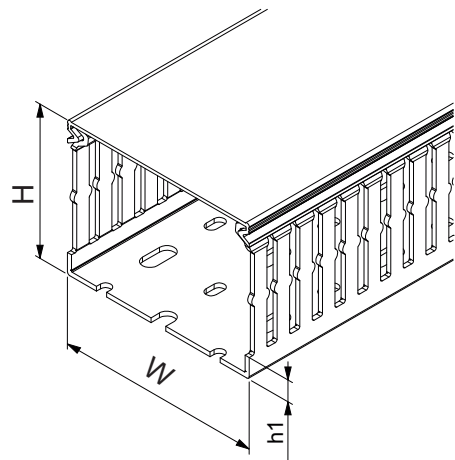
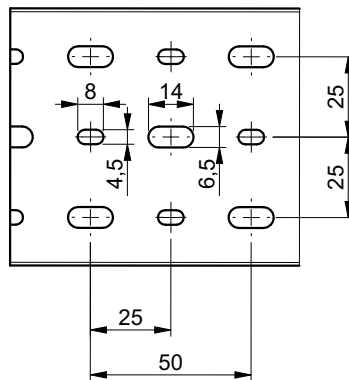
H = 60 mm  
H = 80 mm  
H = 100 mm



W 25, 30, 40, 60



W 80, 100, 120



Base punching to NF EN 50085

H (mm)	30	40	60	80	100
h1 (mm)	5	7	9	11	16

