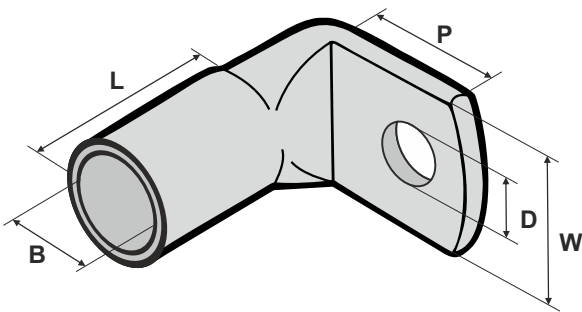


ECL-RA 90° angled copper tube terminals

Part Number	Wire Size (mm ²)	Pack Qty (pcs)	Stud Hole Size	Hole Dia (D)	Palm Length (P)	Palm Width (W)	Barrel Length (L)	Barrel Entry (B)
ECL10-6-RA	10	10	6	6.3	11	10.5	9	4.5
ECL10-8-RA	10	10	8	8.3	18	12.5	11	4.5
ECL16-6-RA	16	10	6	6.3	11	11	11	5.5
ECL16-8-RA	16	10	8	8.3	18	12.5	11	5.5
ECL16-10-RA	16	10	10	10.3	22	15.1	11	5.5
ECL25-6-RA	25	10	6	6.3	18	13.1	13	6.7
ECL25-8-RA	25	10	8	8.3	18	13.1	13	6.7
ECL25-10-RA	25	10	10	10.3	22	15.1	13	6.7
ECL35-6-RA	35	10	6	6.3	18	15.8	14	8.6
ECL35-8-RA	35	10	8	8.3	18	15.8	14	8.6
ECL35-10-RA	35	10	10	10.3	22	16.2	14	8.6
ECL35-12-RA	35	10	12	12.8	22	16.2	14	8.6
ECL50-8-RA	50	10	8	8.3	18	17.6	18	9.6
ECL50-10-RA	50	10	10	10.3	22	17.6	18	9.6
ECL50-12-RA	50	10	12	12.8	22	18.7	18	9.6
ECL70-8-RA	70	4	8	8.3	18	21.8	18	12
ECL70-10-RA	70	4	10	10.3	22	21.8	18	12
ECL70-12-RA	70	4	12	12.8	22	21.8	18	12
ECL95-8-RA	95	4	8	8.3	22	24.3	24	13.5
ECL95-10-RA	95	4	10	10.3	22	24.3	24	13.5
ECL95-12-RA	95	4	12	12.8	22	24.3	24	13.5
ECL120-8-RA	120	4	8	8.3	33	27.5	27	15
ECL120-10-RA	120	4	10	10.3	33	27.5	27	15
ECL120-12-RA	120	4	12	12.8	33	27.5	27	15
ECL150-10-RA	150	4	10	10.3	33	30.3	27	16.5
ECL150-12-RA	150	4	12	12.8	33	30.3	27	16.5
ECL185-10-RA	185	4	10	10.3	33	34	30	19
ECL185-12-RA	185	4	12	12.3	33	34	30	19
ECL240-10-RA	240	4	10	10.3	35	37	32	21
ECL240-12-RA	240	4	12	12.3	35	37	32	21
ECL240-16-RA	240	4	16	16.4	35	37	32	21
ECL300-10-RA	300	4	10	10.3	35	43.9	37	24.5
ECL300-12-RA	300	4	12	12.3	35	43.9	37	24.5
ECL300-16-RA	300	4	16	16.4	35	43.9	37	24.5

All dimensions are in mm



Technical Data



Material

Body : Copper

Plating : Bright electro tin

Rating

Max voltage rating: 3.3kV

Features

Excellent conductivity

Corrosion resistant

Suitable for heavy duty applications

Tooling

Ratchet action crimp tools

Ergonomic anti-slip handles

Terminal range : 1.5 to 10mm²

Tool length: 275mm

Weight: 0.6 kgs

Part Number : **ECT16**



Terminal range : 6 to 50mm²

Tool length: 390mm

Weight: 1.3 kgs

Part Number : **ECT50**



Terminal range : 25 to 150mm²

Tool length: 620mm

Weight: 4.0 kgs

Part Number : **ECT150**

