



# CEMBRE

BATTERY OPERATED HYDRAULIC CRIMPING TOOL  
 OUTIL HYDRAULIQUE DE SERTISSAGE SUR BATTERIE  
 HYDRAULISCHES AKKU-PRESSWERKZEUG  
 HERRAMIENTA HIDRÁULICA DE CRIMPADO A BATERÍA  
 UTENSILE OLEODINAMICO DA COMPRESIONE A BATTERIA

**B1350-UC    B1350-UCA    B1350-UCE    B1350-UCT**






**CE**  
**UK**  
**CA**



ENGLISH	OPERATION AND MAINTENANCE MANUAL .....7 (Translation of the original instructions)
FRAANÇAIS	NOTICE D'UTILISATION ET ENTRETIEN ..... 17 (Traduction des instructions originales)
DEUTSCH	BEDIENUNGSANLEITUNG .....27 (Übersetzung der Originalanleitung)
ESPAÑOL	MANUAL DE USO Y MANTENIMIENTO .....37 (Traducción de las instrucciones originales)
ITALIANO	MANUALE D'USO E MANUTENZIONE.....47 (Istruzioni originali)

# WARNING SYMBOLS - SYMBOLES D'AVERTISSEMENT - WARNSYMBOL - SÍMBOLOS DE ADVERTENCIA - SIMBOLI DI AVVERTENZA

## Tool - Outil - Werkzeug - Herramienta - Utensile

	<ul style="list-style-type: none"> <li>- Before using the tool, carefully read the instructions in this manual.</li> <li>- Avant d'utiliser cet outil, lire attentivement les instructions de cette notice.</li> <li>- Vor Inbetriebnahme unbedingt die Bedienungsanleitung durchlesen.</li> <li>- Antes de utilizar la herramienta, leer atentamente las instrucciones en este manual.</li> <li>- Prima di utilizzare l'utensile, leggere attentamente le istruzioni riportate in questo manuale.</li> </ul>
	<ul style="list-style-type: none"> <li>- When operating the tool, keep hands away from the danger zone.</li> <li>- Au cours du sertissage, tenir les mains éloignées de la zone de travail.</li> <li>- Während des Verpressens nicht mit den Händen in den Pressbereich gelangen.</li> <li>- Durante su utilización, mantenga las manos fuera de la zona de peligro.</li> <li>- Durante l'utilizzo, mantenere le mani fuori dalla zona di pericolo.</li> </ul>
 	<ul style="list-style-type: none"> <li>- Do not operate when dies are not in place.</li> <li>- Insérer les matrices avant d'actionner l'outil.</li> <li>- Nicht ohne Presseinsatzpaar betätigen.</li> <li>- No poner en presión sin matrices.</li> <li>- Non mandare in pressione l'utensile senza le matrici inserite.</li> </ul>
	<ul style="list-style-type: none"> <li>- User information (Directives 2011/65/EU and 2012/19/EU), see page 58.</li> <li>- Information pour les utilisateurs (Directives 2011/65/EU et 2012/19/EU) voir page 58.</li> <li>- Information für den Benutzer (Richtlinien 2011/65/EU und 2012/19/EU) siehe Seite 58.</li> <li>- Informe para los usuarios (Directivas 2011/65/EU y 2012/19/EU) vease página 58.</li> <li>- Informazione agli utenti (Direttive 2011/65/EU e 2012/19/EU) vedere pagina 58.</li> </ul>

## Battery - Batterie - Akku - Batería - Batteria





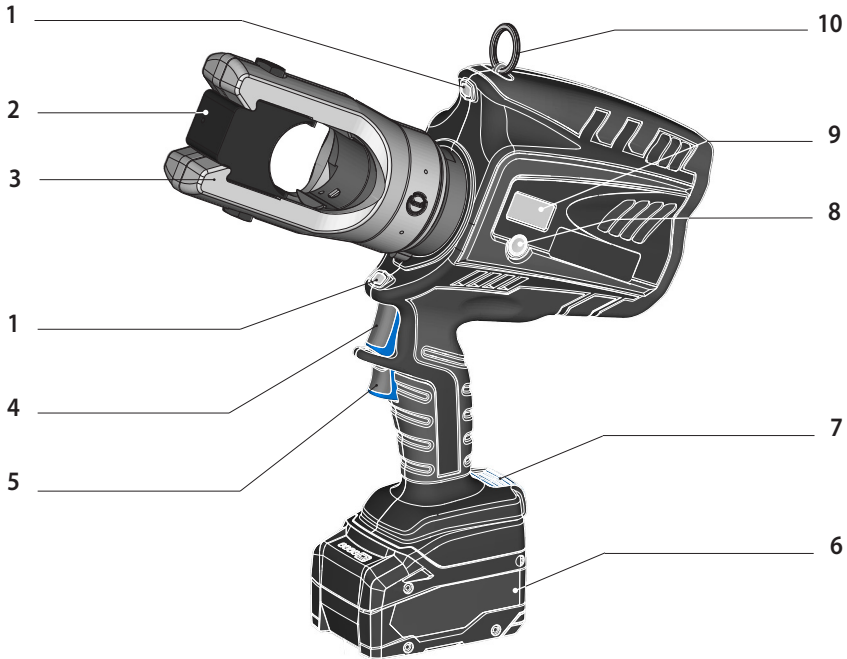
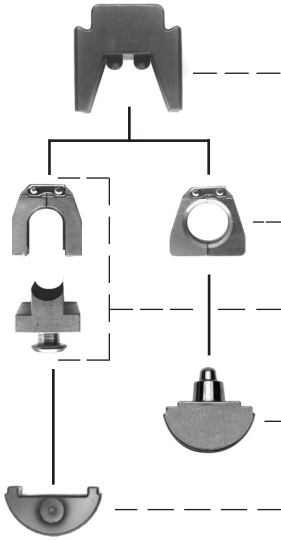
 	<ul style="list-style-type: none"> <li>- Never throw batteries into fire or water.</li> <li>- Jamais jeter les batteries dans le feu ou dans l'eau.</li> <li>- Werfen Sie Akkus nicht ins Feuer oder Wasser.</li> <li>- Nunca tire las baterías al fuego o al agua</li> <li>- Mai gettare le batterie nel fuoco o in acqua.</li> </ul>
	<ul style="list-style-type: none"> <li>- Always recycle the batteries.</li> <li>- Recycler toujours les batteries.</li> <li>- Verbrauchte Akkus stets dem Recycling zuführen.</li> <li>- Reutilizar siempre las baterías.</li> <li>- Riciclare sempre le batterie.</li> </ul>
	<ul style="list-style-type: none"> <li>- Do not discard batteries into domestic refuse or waste disposal.</li> <li>- Ne pas jeter de batteries dans une poubelle ou autre lieu non prévu à cet effet.</li> <li>- Verbrauchte Akkus nicht der allgemeinen Abfallentsorgung zuführen.</li> <li>- No tirar las baterías al cubo de basura o lugar parecido.</li> <li>- Non buttate le batterie fuori uso nei cestini della spazzatura o luoghi simili.</li> </ul>

FIG. / BILD 1



1	LED WORKLIGHT / ECLAIRAGE PAR LED / LED-BELEUCHTUNG / LUCES LED / ILLUMINAZIONE LED
2	ADAPTER / ADAPTATEUR / ADAPTER / ADAPTADOR / ADATTATORE AU130-C
3	U-HEAD / TETE U / U-KOPF / CABEZA U / TESTA A U
4	OPERATING BUTTON / GACHETTE DE COMMANDE / STARTKNOPF / BOTÓN DE ACCIONAMIENTO / PULSANTE DI AZIONAMENTO
5	PRESSURE RELEASE BUTTON / GACHETTE DE DECOMPRESSION / DRUCKABLASSKNOPF / BOTÓN DESBLOQUEO PRESIÓN / PULSANTE DI SBLOCCO PRESSIONE
6	BATTERY / BATTERIE / AKKU / BATERÍA / BATTERIA
7	BATTERY RELEASE / DEBLOCAGE BATTERIE / AKKU ENTRIEGELUNG / DESBLOQUEO BATERÍA / SBLOCCO BATTERIA
8	TOUCH BUTTON FOR MENU SELECTION / TOUCHE POUR SELECTIONNER LE MENU / TOUCH-TASTE FÜR AUSWAHLMENÜ / TECLA PARA SELECCIONAR EL MENÚ / TASTO A SFIORAMENTO PER SELEZIONE MENU
9	DISPLAY / ECRAN / DISPLAYANZEIGE / PANTALLA / DISPLAY
10	RING FOR SHOULDER STRAP / ANNEAU POUR BANDOULIERE / TRAGERIEMENRING / ANILLO PARA CORREA / ANELLO AGGANCIAMENTO TRACOLLA

FIG. / BILD 2  
ACCESSORIES  
ACCESSOIRES  
ZUBEHÖR  
ACCESORIOS  
ACCESSORI



AU130-150 AU130-240 Adaptor	Adaptateur AU130-150 AU130-240	Adapter AU130-150 AU130-240	Adaptador AU130-150 AU130-240	Adattatore AU130-150 AU130-240
MV.. Die	Matrice MV..	Matrize MV..	Matriz MV..	Matrice MV..
UP.. Rounding set	Matrice de mise au rond UP..	Rundrück- set UP..	Preredon- deador UP..	Prearoton- datore UP..
PS.. Indenter	Poinçon PS..	Stempel PS..	Punzón PS..	Punzone PS..
AC130-P Adaptor	Adaptateur AC130-P	Adapter AC130-P	Adaptador AC130-P	Adattatore AC130-P

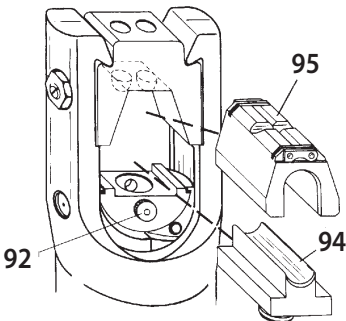
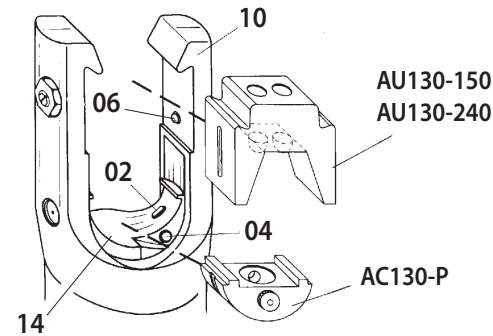


FIG. / BILD 3a

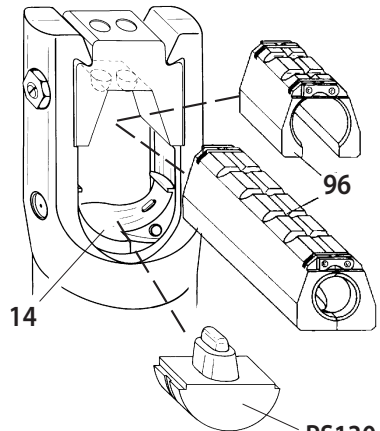
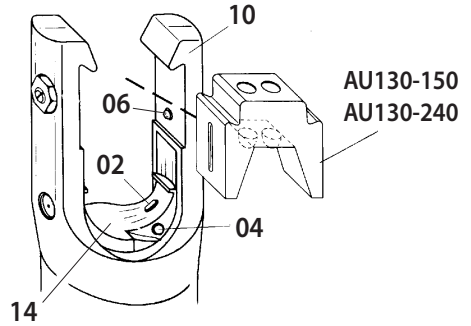


FIG. / BILD 3b

FIG. / BILD 4  
 ACCESSORIES  
 ACCESSOIRES  
 ZUBEHÖR  
 ACCESORIOS  
 ACCESSORI

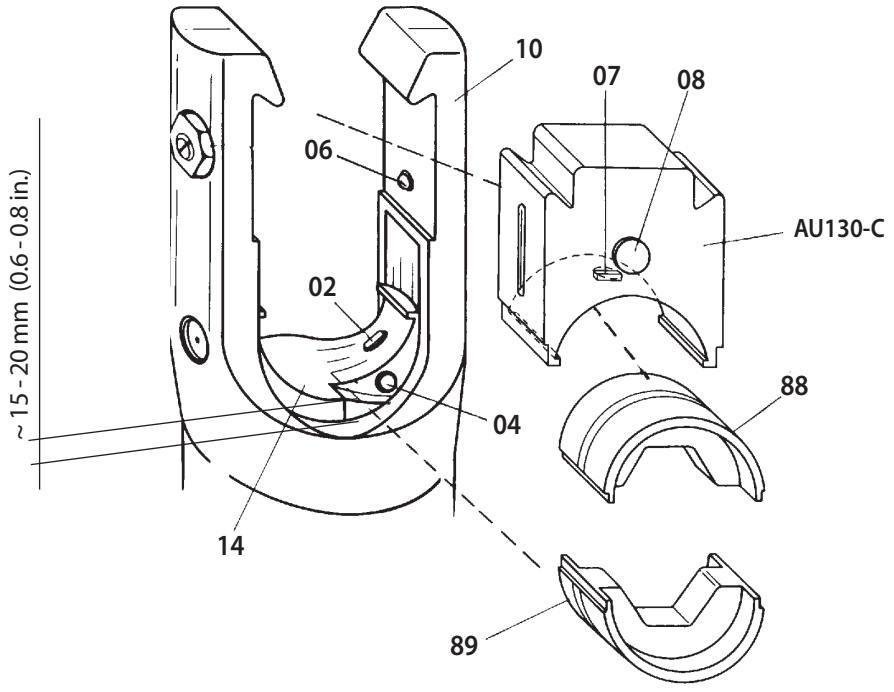
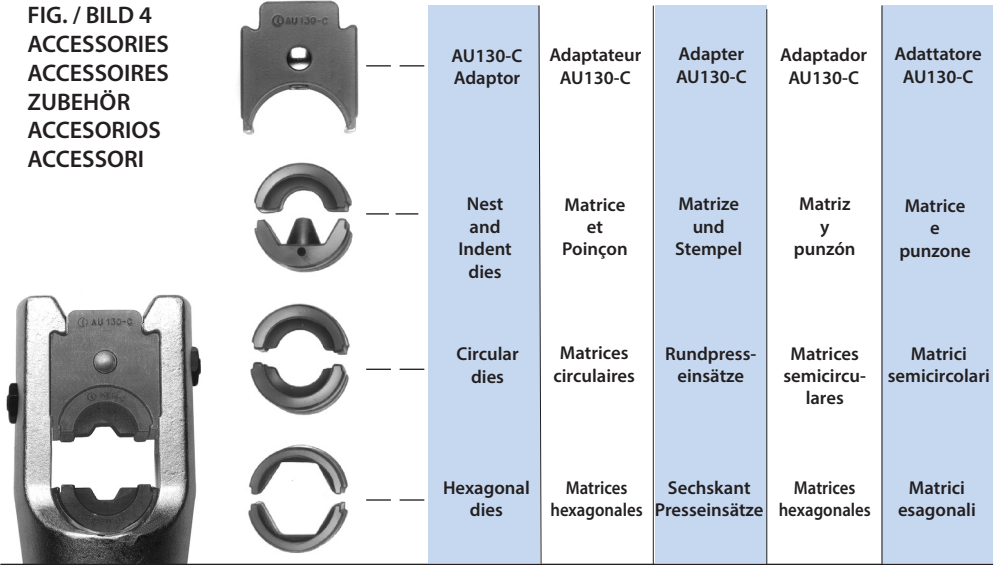

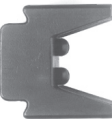





FIG. / BILD 5

## GUIDE TO THE SELECTION OF ACCESSORIES - GUIDE POUR LA SELECTION DES ACCESSOIRES - ZUBEHÖR FÜR DIE TIEFNUTKERBUNG - GUIA PARA LA ELECCIÓN DE ACCESORIOS - GUIDA PER LA SCELTA DEGLI ACCESSORI

Conductor section Section conducteur Leiter Querschnitt Sección cable Sezione cavo (mm <sup>2</sup> )	Upper adaptor Adaptateur supérieur Oberen Adapter Adaptador superior Adattatore superiore	Lower adaptor Adaptateur inférieur Unteren Adapter Adaptador inferior Adattatore inferiore	Pre-rounding die Matr. de mise au rond Runddrückeinsätze Prerondeador Prerondotatore	Indenter Poinçon Stempel Punzón Punzone	Containing die - Matrice coquille - Haltematrize - Matriz de sujeción - Matrice di contenimento			
					Short - Courte - Kurz - Corta - Corta	Long - Longue - Lang - Larga - Lunga	Universal - Universelles Universal - Universale Universale	
 Aluminium Alluminio Alluminio	  AU 130-150	  AC 130-P	  UP 130-25 UP 130-35 UP 130-50 UP 130-70 UP 130-95 UP 130-120 UP 130-150 UP 130-185 UP 130-240 UP 130-300	  PS 130-35/E  PS 130-95/E  PS 130-150/E  PS 130-240/E	MV 35	MVM 35	MUA 35	
					MV 95	MVM 95	MUA 95	
					MV 150	MVM 150	MUA 150	
					MV 240	MVM 240	MUA 240	
					MUA 300-34			
					CAA...-M	MTMA...	MTA...	AA...-M
					MTA...-C			
					<b>CONNECTORS - CONNECTEURS - VERBINDER - CONECTORES - CONNETTORI</b>			

\* Outside diameter of connector = 34mm  
 Diamètre extérieur connecteur = 34mm  
 Verbinder Aussendurchmesser = 34mm  
 Diametro esterno connector = 34mm  
 Diametro esterno connettore = 34mm

## 1. GENERAL CHARACTERISTICS

		B1350-UC	B1350-UCE	B1350-UCT	B1350-UCA
<b>Application range</b>		suitable for installing electrical compression connectors for conductors up to 400 mm <sup>2</sup> (800 MCM) and Aluminium conductors up to 300 mm <sup>2</sup> (600 MCM)			
Rated crimping force	kN (US sh. ton)	132 (14.84)			
Minimum crimping force	kN (US sh. ton)	125,2 (14.07)			
Minimum operating pressure	bar (psi)	692 (10037)			
Dimensions (ref. to Fig. 6)	mm (inches)	351x369x83 (13.8x14.5x3.3)			
Weight with battery	kg (lbs)	6,3 (13.8)			
Motor	V DC	18			
Operating temperature	°C (°F)	-15 to +50 (+5 to +122)			
Recommended oil		ENI ARNICA ISO 32 or equivalents			
Operating speed		twin speed operation and automatic switching from a rapid advancing speed of the ram to a slower, more powerful crimping speed			
Safety		maximum pressure valve			
<b>Rechargeable battery</b>	V / Ah / Wh	18 / 5.2 / 93.6			
Type		CB1852L (Li-Ion)			
Weight	kg (lbs)	0,66 (1.45)			
<b>Battery charger</b>	type	ASC55-EU	ASC55-UK	ASC30-36-AUS/NZ	ASC30-36-USA/CA
ASC30-36					
Input	V / Hz	220 - 240 / 50 - 60			115 / 60
	W	85			
<b>Acoustic noise</b> <sup>(1)</sup>					
L <sub>pA</sub>	dB (A)	73			
L <sub>pCPeak</sub>	dB (C)	94.5			
L <sub>WA</sub>	dB (A)	79			
<b>Vibration</b> <sup>(2)</sup>	m/s <sup>2</sup>	0.575 max.			

<sup>(1)</sup> Directive 2006/42/EC, annexe 1, point 1.7.4.2 letter u

L<sub>pA</sub> = weighted continuous acoustic pressure level equivalent.

L<sub>pCPeak</sub> = maximum value of the weighted acoustic displacement pressure at the work place.

L<sub>WA</sub> = acoustic power level emitted by the machine.

<sup>(2)</sup> Directive 2006/42/EC, annexe 1, point 2.2.1.1

Weighted root mean square in frequency of the acceleration the upper limbs are exposed to for each biodynamic reference axis. Tests carried out in compliance with the indications contained in EN ISO 5349-1/2 Standard, and under operating conditions much more severe than those normally found.

**WARNING**

*Do not use the tool for purposes other than those intended by CEMBRE.  
The operator should concentrate on the work being performed and be careful to maintain a balanced working position.*



*Before starting work on electrical equipment, please ensure that either there are no live parts in the immediate working area or that precautions are taken for working near live parts in accordance with EN50110-1.*



*Do not use this tool on or near energised conductors without proper personal protective equipment. Failure to observe this warning could result in severe injury or death.*



*The tool is unsuitable for continuous use and should be allowed to cool down following uninterrupted, successive crimping operations; for instance, having exhausted a fully charged battery in one session, delay battery replacement for a few minutes.*



*Protect the tool from rain and moisture. Water will damage the tool and battery. Electro-hydraulic tools should not be operated in pouring rain.*

**2. INSTRUCTIONS FOR USE**

**IMPORTANT:** *Never pressurise the tool without inserting the dies, this could cause damage to the head and the ram.*

The part reference includes the following (Ref. to Fig. 7 page 57):

- ▶ Hydraulic crimping tool.
- ▶ AU130-C upper adaptor.
- ▶ Li-Ion rechargeable battery (2 pcs).
- ▶ Battery charger (model depends on the tool version).
- ▶ Shoulder strap.
- ▶ Plastic carrying case.
- ▶ USB cable (Ref. to § 8).

The tool is supplied with the **AU130-C** upper adaptor, which will accept semicircular slotted dies (common to CEMBRE 130 kN tooling) suitable for:

- ▶ Circular or hexagonal compression on Copper, Aldrey, Aluminium or ACSR conductors.
- ▶ Indentation on Copper conductors.

With the upper adaptor **AU130-150**, **AU130-240** and lower adaptor **AC130-P**, the tool can accept:

- ▶ Pre-rounding dies UP130-... used for converting Aluminium sectoral conductor to a compact, round section.
- ▶ Containing dies **MV**, **MVC**, **MVM**, **MUA** series to crimp connectors on Aluminium cables using the deep indent crimping system.



## 2.1) Preparation

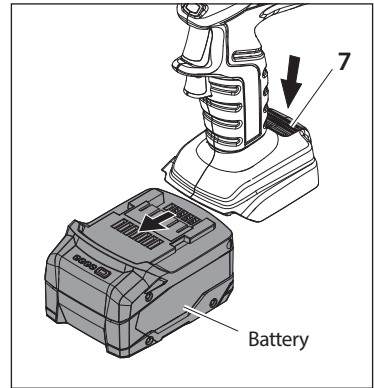


*When introducing or changing dies, the battery must first be removed from the tool.*

The tool can be easily carried using either the handle or the shoulder strap attached to ring (10) (Ref. to Fig. 1).



*Before starting any work, check the battery charge (Ref. to §2.8) and recharge if necessary, following the instructions in the battery charger user manual.*



- ▶ To replace the battery, remove it by pressing the release button (7), then insert the new battery, sliding it into the guides until it locks.
- ▶ The display shows the operational parameters of the tool; to customise them proceed as described in § 2.7.
- ▶ Depending on the compression to be performed, proceed as described in § 4 or 5.

## 2.2) Die advancement

- ▶ Press operating button (4) to activate the motor-pump and advance the lower die.
- ▶ To halt the advancement, release operating button (4) and the motor will cut out.



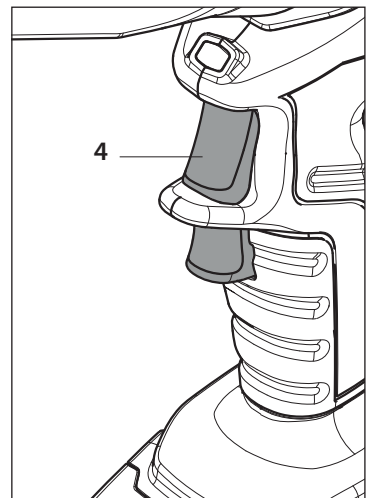
*Make sure the dies are exactly positioned on the desired crimp point otherwise re-open dies following instructions as per § 2.4 and reposition the connector.*

## 2.3) Compression

- ▶ By keeping operating button (4) pressed, the motor continues to operate: the ram will gradually move forward until the two dies touch.
- ▶ The motor will stop automatically when the set pressure has been reached.



*To perform proper compression, press and hold the operating button (4) until the motor stops automatically.*



**NOTE:** To display the momentary force or pressure during the work cycle, select the appropriate display from the menu (Ref. to § 7). When the operating button is released before the motor stops automatically, the display will show the peak force (Fp) or the peak pressure (Pp) reached at that instant.

$F_m = 125.2 \text{ kN}$   
 $F_p = 102.3 \text{ kN}$

$F_m = 125.2 \text{ kN}$   
OK

$P_m = 692 \text{ bar}$   
 $P_p = 565 \text{ bar}$

$P_m = 692 \text{ bar}$   
OK

To complete the work, press the operating button again until the motor stops automatically; the display will show the maximum force or pressure reached followed by "OK" to confirm correct operation.



*The display "ERROR", combined with a beep and the LEDs flashing, indicates an incorrect crimping procedure caused by the work cycle being interrupted before the control parameters (force/pressure) of the tool are reached.*

ERROR

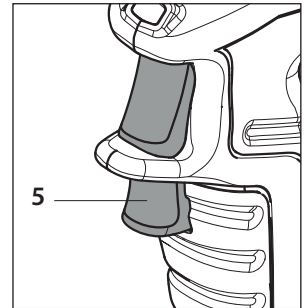
*This error appears when the pressure release button has been operated and the tool has already reached a pressure > 100 bar. In this case, repeat the compression by pressing and holding the operating button until the motor stops automatically.*

## 2.4) Release of dies

By operating the pressure release button (5), the ram will retract and open the dies.

## 2.5) LED Worklights

Whilst the tool is in operation, the compression area is illuminated by two high luminosity LED Worklights that switch off automatically at the end of the cycle.



*The LED Worklights can be disabled by following the procedure described in § 7.2.*

## 2.6) Head rotation

For ease of operation, the tool head can rotate through 180°, allowing the operator to work in the most comfortable position.



*Do not attempt to rotate the head when the hydraulic circuit is pressurised.*

## 2.7) Capacitive touch button for menu selection

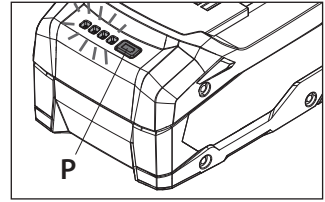
This button is located under the display and allows selection of various screens (Ref. to § 7); it only works when the display is on. Wearing gloves or using other objects may inhibit the operation of the button, therefore use a bare finger to apply only a light touch.



*Do not apply pressure to or stab at the touch button, a light touch using a bare finger is sufficient. The command pulse is sent when the finger releases the button.*

## 2.8) Battery status

- ▶ The battery is equipped with LED indicators that indicate the remaining battery life at any time by pressing the adjacent button (P):
  - 4 LEDs illuminated: fully charged
  - 2 LEDs illuminated: 50 % capacity
  - 1 LED flashing: minimum charge, replace the battery
- ▶ With the battery inserted into the tool, the remaining battery life can also be checked on the display, via touch button selection (Ref. to § 7).



**i** *The screen shown alongside indicates that the battery Voltage has dropped below a minimum safety threshold; under these conditions the tool will not start, and it is necessary to recharge or replace the battery.*



*The approximate time to fully recharge a battery is about 100 minutes.*

**i** *After each working cycle, and after the extraction of the battery from the tool, an integrated battery cut-off device will operate after 70 s approx. Then the LED nearest to button (P) will flash 5 times each 14 s approx. The battery will be reactivated when it is reintroduced into the tool and the operating button is pressed.*

## 2.9) Using the battery charger

Carefully follow the instructions in the battery charger user manual.

## 3. MAINTENANCE

The tool is robust, completely sealed, and requires very little daily maintenance.

Compliance with the following points, should help to maintain its optimum performance:

### 3.1) Thorough cleaning

Dust, sand and dirt are a danger for any hydraulic device.

Every day, after use, the tool must be wiped with a clean cloth taking care to remove any residue, especially close to pivots and moveable parts.

Do not use Hydrocarbons to clean the rubber parts.

### 3.2) Storage case (Ref. to Fig. 7)

When not in use, the tool should be stored and transported in the plastic case, to prevent damage. The case, type VAL-P39, is suitable for storing the tool, the accessories and up to 8 die sets and pre-prepared compression connectors.

The VAL-130 steel case: size 360x280x48 mm (14.17x11x1.89 in.), weight 3 kg (6.62 lbs), is available for storage of the accessories for crimping aluminium connectors with deep indent crimping system.

## 4. CRIMPING OF CONNECTORS ON ALUMINIUM CABLES USING THE DEEP INDENT CRIMPING SYSTEM (Ref. to Figs. 2, 3)

### 4.1) Pre-rounding conductor (for sectoral cables) (Ref. to Fig. 3a)

- ▶ From the table on page 6 select the proper AU130-150 or AU130-240 upper adaptor and UP... pre-rounding die for the appropriate conductor size to be rounded.
- ▶ Insert the upper adaptor into the head (see § 6.1).
- ▶ Insert the lower adaptor AC130-P into the ram (see § 6.2).
- ▶ Insert the lower part of the pre-rounding die (94) into the AC130-P adaptor by pulling the release button (92).
- ▶ Position the conductor into the upper part of the pre-rounding die (95) and locate the pre-rounding die in the adaptor AU130-150 or AU130-240.



*Ensure that the pre-rounding die is correctly located in the adaptor with its upper slot in line with the internal adaptor pins.*

- ▶ Operate the tool until the upper and lower part of the pre-rounding die are fully closed, then release the hydraulic pressure (see § 2.4) and remove the compacted round conductor.

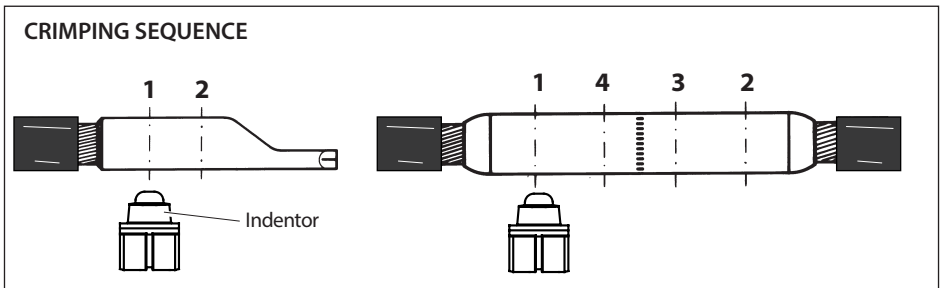
### 4.2) Connector crimping (Ref. to Fig. 3b)

- ▶ From the table (Fig. 6, page 6) select AU130-... upper adapter, MV... containing die and PS.. indenter recommended for the conductor size.
- ▶ Insert the upper adaptor AU130-150 or AU130-240 into the head (see § 6.1).
- ▶ Insert the indenter PS130.../E into the ram (14) (see § 6.2).
- ▶ Insert conductor into the connector; locate the connector into the MV.. (96) containing die; locate the containing die in the adaptor AU130-150 or AU130-240.



*For every operation ensure the die is correctly located in the adaptor with its upper slots in line with the internal adaptor pins.*

- ▶ Operate the tool (see § 2.2), commence indent crimping from the barrel end for both splices and terminals, following the sequence shown below.

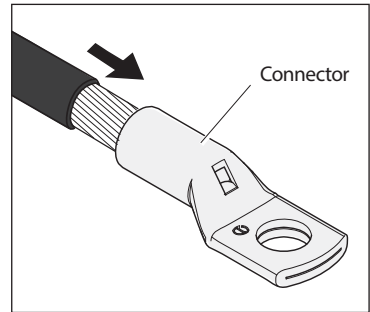


- ▶ Each indenting operation is completed when indenter and die are fully closed, it is recommended to continue pumping until the motor stops automatically (see § 2.3), then release the hydraulic pressure by pressing the button (5).
- ▶ Move the containing die and match another slot in line with the internal adaptor pins and then proceed with another compression.

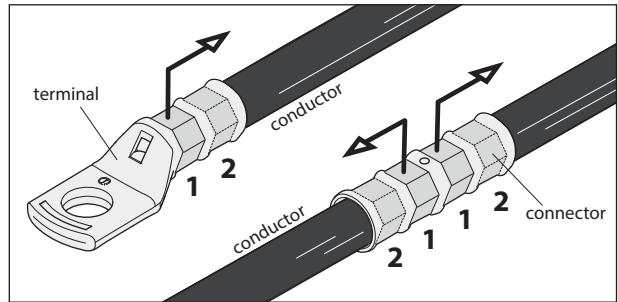
## 5. CRIMPING OF CONNECTORS USING THE CIRCULAR OR HEXAGONAL COMPRESSION SYSTEM (Ref. to Figs. 4, 5)

### 5.1) Connector crimping

- ▶ Fit upper adaptor AU130-C into the head (see § 6.1).
- ▶ Select the appropriate die set for the connector to be crimped.
- ▶ Insert die set into the head (see § 6.3).
- ▶ Insert the conductor into the connector.
- ▶ Position the connector between the dies and ensure the correct location of the crimp.
- ▶ To crimp connector continue as § 2.2.



**NOTE:** when more compression is required, proceed according to the sequence and direction indicated in the figure, uniformly spacing the compressions.



## 6. ACCESSORIES ASSEMBLY/REMOVING

### 6.1) Upper adaptors (Ref. to Figs. 3, 5)

- ▶ Insert the adaptor in the guides on the U-fork (33) until securely located, with the grooves on the adaptor corresponding to the locators (06) on the U-fork head (10).
- ▶ Remove the adaptor by pushing it off the locators and sliding from the head.

### 6.2) Lower adaptor and Indentors (Ref. to Fig. 3)

- ▶ To insert AC130-P lower adaptor or indenter PS.../E press release button (04) and insert them into the seat on the ram (14) until secured by the die retaining pin (02).  
To ease this operation, operate the tool to advance the ram (14) 15-20 mm (0.6 - 0.8 in.).
- ▶ To remove, press the release button (04).

### 6.3) Semicircular slotted dies (Ref. to Fig. 5)

- ▶ Press release button (08) and insert the upper die (88) into the AU130-C adaptor (09) until secured by the die retaining pin (07).
- ▶ To remove the upper die, press the release button (08).
- ▶ Press release button (04) and insert the lower die (89) into the seat on the ram (14) until secured by the die retaining pin (02).  
To ease this operation, operate the tool to advance the ram (14) 15-20 mm (0.6 - 0.8 in.).
- ▶ To remove the lower die, press the release button (04).

## 7. DISPLAY

The OLED display switches on automatically when the operating or pressure release buttons are pressed, and off after 60 seconds of non-operation.

The display shows:

- ▶ The main operational parameters of the tool processed by the circuit board, such as peak pressure or force reached.
- ▶ Information on the condition of the tool, such as the charge level, the battery temperature and maintenance requirements.
- ▶ Any operational or procedural ERRORS.

Use the touch button (8) to navigate through the menu screens to manage INFORMATION AND SELECTION:

**7.1) INFORMATION SCREENS:** display a pre determined parameter which will then appear each time the tool is started and during the entire work cycle.

**F<sub>m</sub> = 125.2 kN**  
**F<sub>p</sub> = 94.5 kN**

F<sub>m</sub>: Minimum set force, expressed in kN.  
F<sub>p</sub>: Peak force reached, expressed in kN,  
(screen as factory setting).



**F<sub>m</sub> = 14.07 ton**  
**F<sub>p</sub> = 10.61 ton**

F<sub>m</sub>: Minimum set force, expressed in USA sh. tons.  
F<sub>p</sub>: Peak force reached, expressed in USA sh. tons.



**P<sub>m</sub> = 692 bar**  
**P<sub>p</sub> = 522.3 bar**

P<sub>m</sub>: Minimum set pressure, expressed in bar.  
P<sub>p</sub>: Peak pressure reached, expressed in bar.



**P<sub>m</sub> = 10037 psi**  
**P<sub>p</sub> = 7575 psi**

P<sub>m</sub>: Minimum set pressure, expressed in psi.  
P<sub>p</sub>: Peak pressure reached, expressed in in psi.



    
**BATTERY**

Battery charge level.



 **1000**  
**-12000**

No. of cycles performed.  
No. of cycles before scheduled recommended maintenance.



 **B1350**  
**13AB485**

CEMBRE logo, tool model.  
Tool serial no.



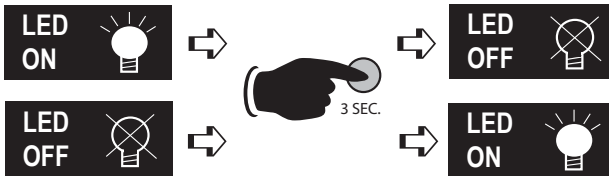
To make a selected screen operational and appear at each start-up of the tool, operate the touch button for at least 3 seconds; a continuous beep will confirm the setting.



*The capacitive menu selection button may not work if touched using objects or when wearing gloves, therefore always operate it using a bare finger.*

**7.2) SELECTION SCREENS:** control parameters that cannot be set as automatic upon start-up of the tool, can be changed by operating the touch button:

**Enabling/disabling the LED Worklights** (factory setting LED ON)



When the screen is displayed, touch the button for at least 3 seconds to deactivate or reactivate operation of the LED Worklights during tool use; a continuous beep will confirm the setting.

**Return to original factory settings / firmware version**

When the "RESET" screen is displayed, return the tool to its factory setting by operating the touch button for at least 3 seconds; a beep will confirm the setting.

**RESET**  
SW:S1J41413

The RESET screen also shows the firmware version of the circuit board.

**7.3) WARNINGS:** these appear during operation and notify the operator of the status of the tool:

**BATTERY**



**LOW BATTERY:** replace the battery.

**NOTE:** when the battery Vage falls below a minimum safety threshold, the tool will not start; although it is still possible to end the work cycle in progress.

**BATTERY**



**BATTERY TEMPERATURE HIGH:** remove the battery and wait until it cools down.

**13001**









**NO. OF CYCLES TO MAINTENANCE REACHED:**

the tool continues to work however, it is recommended that it is sent to CEMBRE for a complete overhaul (see § 8).

**NOTE:** this message, together with a beep, will reappear when the tool has been idle for 30 seconds.

**7.4) ERRORS:** these appear during operation, combined with a beep and flashing LED Worklights, to notify the operator of procedural or operational errors.

Message	Error description	Solution
	The pressure release button (5) was pressed before the control parameters were reached (Force/Pressure).	Repeat the work cycle and wait for the motor to stop automatically.
	Interruption of the signal from the NTC temperature probe of the battery.	Replace the battery. If the problem persists, please contact CEMBRE.
	Abnormal power consumption of the motor for more than 3 seconds. The tool stops.	Wait for the display to turn off (60 sec.) or remove and re-insert the battery, then re-start the tool. If the error occurs frequently, contact CEMBRE.
	Output voltage of the pressure transmitter is out of the pre-set range.	Repeat the work cycle; if the error occurs frequently, contact CEMBRE.
	Failure to reach the set pressure within 30 seconds of continuous operation of the machine.	Repeat the work cycle; if the error occurs frequently, contact CEMBRE.
	Overcharging of the battery with protection tripping. The tool stops.	Wait for the display to turn off (60 sec.) or remove and re-insert the battery, then re-start the tool. If the error occurs frequently, contact CEMBRE.



*Errors are displayed for about 30 seconds before being reset, but will display repeatedly in the event of permanent anomalies.*

## 8. CONNECTION TO COMPUTER (Smartool technology)

The memory card integrated in the tool records operating data for transfer via the USB cable supplied. To view and manage this data, go to [www.cembre.com](http://www.cembre.com) and register in the dedicated area, then download the free CEMBRE software CEM\_SWBT01.

Keeping the Firmware of the tool updated, via free of charge download from here, will optimise the tool's performance.

## 9. RETURN TO CEMBRE FOR OVERHAUL

In the case of a breakdown contact our Area Agent who will advise you on the problem and give you the necessary instructions on how to dispatch the tool to our nearest service Centre; if possible, attach a copy of the Test Certificate supplied by CEMBRE together with the tool or fill in and attach the form available in the "ASSISTANCE" section of the CEMBRE website.



# 1. CARACTERISTIQUES GENERALES

		B1350-UC	B1350-UCE	B1350-UCT	B1350-UCA
<b>Domaine d'application:</b>		conçu pour le sertissage des connecteurs pour câbles jusqu'à 400 mm <sup>2</sup> (800 MCM) et pour câbles en aluminium jusqu'à 300 mm <sup>2</sup> (600 MCM)			
Force nom. de sertissage	kN (USA ton)	132 (14.84)			
Force min. de sertissage développée	kN (USA ton)	125,2 (14.07)			
Pression min. de travail	bar (psi)	692 (10037)			
Dimensions (voir Fig. 6)	mm (inches)	351x369x83 (13.8x14.5x3.3)			
Poids avec batterie	kg (lbs)	6,3 (13.8)			
Moteur	V DC	18			
Température de fonctionnement:	°C (°F)	-15 à +50 (+5 à +122)			
Huile recommandée:		ENI ARNICA ISO 32 ou équivalents			
Avance rapide:		l'outil passe automatiquement de la vitesse rapide d'approche des matrices à la vitesse lente de sertissage			
Sécurité		valve de surpression			
<b>Batterie rechargeable</b>	V / Ah / Wh	18 / 5.2 / 93.6			
Type		CB1852L (Li-Ion)			
Poids	kg (lbs)	0.66			
<b>Chargeur de batterie</b>	type	ASC55-EU	ASC55-UK	ASC30-36-AUS/NZ	ASC30-36-USA/CA
ASC30-36	V / Hz	220 - 240 / 50 - 60			115 / 60
Alimentation	W	85			
<b>Bruit aérien sonore <sup>(1)</sup></b>					
L <sub>pA</sub>	dB (A)	73			
L <sub>pCPeak</sub>	dB (C)	94.5			
L <sub>WA</sub>	dB (A)	79			
<b>Vibrations <sup>(2)</sup></b>	m/s <sup>2</sup>	0.575 maxi.			

<sup>(1)</sup> Directive 2006/42/CE, annexe 1, point 1.7.4.2, lettre u

L<sub>pA</sub> = niveau de pression sonore continue équivalente pondérée A sur le poste de travail.

L<sub>pCPeak</sub> = valeur de pression sonore instantanée pondérée C sur le poste de travail.

L<sub>WA</sub> = niveau de puissance acoustique dégagée par la machine.

<sup>(2)</sup> Directive 2006/42/CE, annexe 1, point 2.2.1.1

Valeur quadratique moyenne pondérée en fréquence de l'accélération à laquelle sont exposés les membres supérieurs pour chaque axe biodynamique de référence. Relevés réalisés suivant les indications de la Norme EN ISO 5349-1/2, dans des conditions de service largement représentatives des conditions d'emploi normales.

## AVERTISSEMENT



*Ne pas utiliser cet outil à des fins différentes que celles prévues par le constructeur. Restez bien attentif tout au long du travail, ne soyez pas distrait, ne perdez pas l'équilibre pendant l'utilisation.*



*Avant d'entreprendre des travaux sur des équipements électriques, veuillez vous assurer qu'aucun élément aux abords de la zone de travail n'est sous tension. Dans le cas contraire, veuillez prendre les précautions nécessaires pour opérer à proximité d'éléments sous tension, en conformité avec la norme EN50110-1.*



*Ne pas utiliser cet outil sur ou à côté de conducteurs sous tension, sans protection individuelle adéquate la non observation de cette précaution peut provoquer des lésions graves ou mortelles.*



*L'outil n'est pas conçu pour une utilisation en continu; après avoir effectué une quantité de sertissages consécutifs à partir d'une batterie complètement chargée, au moment du remplacement de la batterie, nous suggérons d'observer une période d'arrêt pour permettre le refroidissement de l'outil.*



*Protéger l'outil de la pluie et de l'humidité. L'eau pourrait endommager l'outil et la batterie, les outils hydro-électriques ne devraient pas être utilisés sous la pluie.*

## 2. INSTRUCTIONS D'UTILISATION



**IMPORTANT:** *Ne jamais mettre l'outil sous pression sans les matrices insérées, cela pourrait endommager les sièges de la tête et du piston.*

L'ensemble comprend (Voir Fig. 7 page 57):

- ▶ Outil hydraulique le sertissage.
- ▶ Adaptateur supérieur AU130-C.
- ▶ Batterie rechargeable Li-Ion (2 pcs).
- ▶ Chargeur de batterie (différent en fonction de la version de l'outil).
- ▶ Bandoulière.
- ▶ Coffret de rangement.
- ▶ Câble USB ( Voir § 8).

L'équipement standard de l'outil comprend l'adaptateur **AU130-C** avec lequel il peut recevoir divers types de matrices (communes également aux autres outils CEMBRE de 130 kN) destinées au:

- ▶ Sertissage hexagonal et circulaire sur câble cuivre, almélec, aluminium ou aluminium-acier.
- ▶ Poinçonnage sur câble cuivre.

Avec les adaptateurs supérieurs types **AU130-150**, **AU130-240** et inférieure **AC130-P**, l'outil peut recevoir les:

- ▶ Matrices de mise au rond **UP 130-...**, ramenant les câbles sectoraux à la forme circulaire.
- ▶ Matrices coquille séries **MV, MVC, MVM, MUA**, réalisant un poinçonnage profond, matrice fermée, sur câble aluminium.

## 2.1) Mise en service

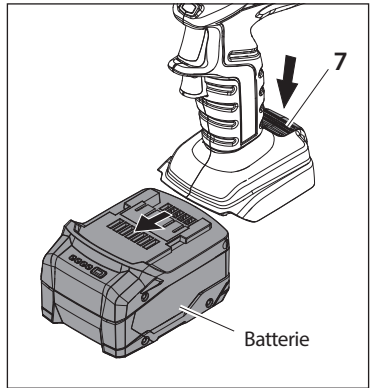


*Les opérations d'introduction ou de remplacement des matrices doivent être effectuées avec l'outil dépourvu de batterie.*

L'outil peut être transporté facilement grâce à sa poignée et à la bandoulière accrochée par l'anneau (10) (Voir Fig. 1).



*Avant de commencer toute opération, contrôler l'état de charge de la batterie (voir § 2.8) et, si nécessaire, la recharger en suivant les instructions contenues dans le manuel d'utilisation du chargeur de batteries.*



- ▶ Pour remplacer la batterie, la retirer en appuyant sur le mécanisme de déblocage (7), puis introduire la nouvelle batterie en la faisant coulisser sur les guides jusqu'au blocage complet.
- ▶ L'écran permet d'afficher les paramètres opérationnels de l'outil. Pour personnaliser ces derniers, suivre les instructions décrites au § 2.7.
- ▶ Pour le type de connexion à réaliser suivre les instructions décrites au § 4 ou 5.

## 2.2) Avance des matrices

- ▶ Appuyer sur la gâchette de commande (4) pour mettre en marche le groupe moteur pompe; les matrices commencent alors à se rapprocher du connecteur.
- ▶ La gâchette de commande (4) relâchée, le moteur et l'avance des matrices cessent immédiatement.



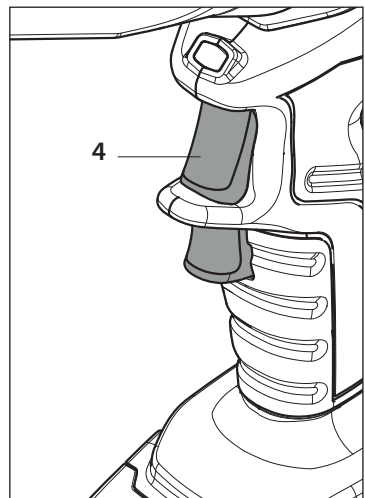
*S'assurer que les matrices sont bien positionnées sur la zone à sertir, sinon desserrer les matrices en suivant les instructions du § 2.4 et repositionner le connecteur.*

## 2.3) Sertissage

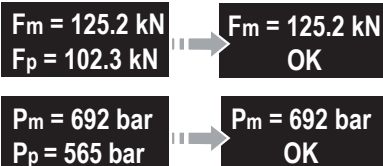
- ▶ En maintenant pressée la gâchette de commande (4), on maintient la rotation du moteur; le piston avance progressivement jusqu'à ce que les matrices arrivent en butée l'une contre l'autre.
- ▶ L'outil s'arrêtera automatiquement dès qu'il aura atteint la pression de tarage.



*Pour effectuer un bon sertissage, maintenir la gâchette de commande (4) pressée jusqu'à l'arrêt automatique du moteur.*



**REMARQUE:** Pour afficher la force ou la pression en temps réel, lors du cycle de travail, configurer les écrans correspondants (voir § 7). En relâchant le bouton de démarrage avant l'arrêt automatique du moteur, l'écran affichera les valeurs de pic de la force ( $F_p$ ) et de la pression ( $P_p$ ) atteintes à ce moment.



Pour terminer l'opération, ré-appuyer sur la gâchette de commande jusqu'à l'arrêt automatique du moteur; l'écran affichera la force ou la pression maximale atteinte, suivie de l'inscription "OK" indiquant que l'opération a été correctement effectuée.

**i** Le message "ERROR" associé à l'avertisseur sonore ainsi que le clignotement des LED indiquent que la procédure de sertissage n'a pas été correctement effectuée en raison d'un arrêt anticipé du cycle de travail avant d'avoir atteint les paramètres réglés (force/pression) de l'outil. Ce message d'erreur s'affiche lorsque l'opérateur appuie sur la gâchette de déblocage pression après que l'outil ait atteint une pression > 100 bar. Dans ce cas, effectuer à nouveau le sertissage en maintenant la gâchette de commande appuyée jusqu'à l'arrêt automatique du moteur. Pour terminer l'opération, ré-appuyer sur la gâchette de commande jusqu'à l'arrêt automatique du moteur; l'écran affichera la force ou la pression maximale atteinte, suivie de "OK" indiquant que l'opération a été correctement effectuée.

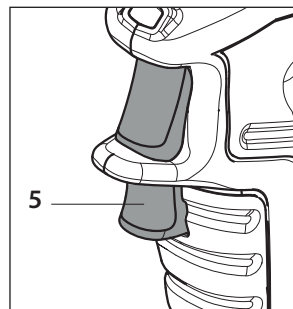
## 2.4) Réouverture des matrices

En appuyant à fond sur la gâchette de déblocage (5), on provoque le retour du piston et par conséquent l'ouverture des matrices.

## 2.5) Led

Lors de l'actionnement de l'outil, la zone de sertissage est éclairée au moyen de deux LED haute luminosité qui s'éteignent automatiquement à la fin du cycle.

**i** Pour désactiver les LED, suivre la procédure décrite au § 7.2.



## 2.6) Rotation de la tête

La tête de l'outil pivote de 180° par rapport au corps, permettant à l'utilisateur de travailler dans la meilleure position.

**!** Ne pas forcer la rotation de la tête, lorsque le circuit hydraulique est sous pression.

## 2.7) Touche tactile de type capacitif

Cette touche est située sous l'écran et permet de sélectionner les différents écrans (voir § 7); elle fonctionne uniquement lorsque l'écran est allumé et il suffit de l'effleurer à mains nues. L'utilisation de gants ou d'autres objets risquerait de compromettre son activation.



**!** Ne jamais appuyer avec force sur la touche tactile, il suffit de l'effleurer avec un doigt, à mains nues. La commande envoie l'impulsion dès le retrait du doigt.

## 2.8) Autonomie de la batterie

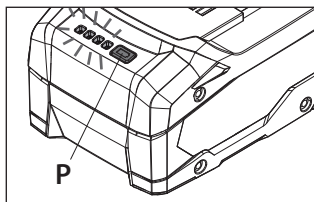
- ▶ La batterie est équipée d'indicateurs à LED qui permettent de contrôler, à tout moment, son autonomie résiduelle en appuyant sur la touche (P):

4 led allumées: autonomie maximale

2 led allumées: autonomie à 50 %

1 led clignotante: autonomie minimale, remplacer la batterie

- ▶ Lorsque la batterie est insérée dans l'outil, il est possible de vérifier l'autonomie résiduelle à partir de l'écran, en appuyant sur la touche tactile (voir § 7).



max.



min.



*L'écran ci-contre indique que la batterie est déchargée et que sa tension est descendue au-dessous du seuil minimal de sécurité; dans cette situation, l'outil ne démarre pas, il est donc nécessaire de recharger ou de remplacer la batterie.*



À titre indicatif, le délai de recharge complète de la batterie correspond à environ 100 min.



*A la fin de chaque cycle de travail comme à l'extraction de la batterie de l'outil, un dispositif électronique arrête automatiquement la batterie après environ 70 s. Pour confirmer cette opération, la led la plus proche du bouton (P) clignotera 5 fois en 14 s (approximativement).*

*La batterie est réactivée dès sa réintroduction dans l'outil, ou en appuyant sur le bouton d'actionnement.*

## 2.9) Utilisation du chargeur de batterie

Suivre attentivement les instructions indiquées sur le manuel.

## 3. ENTRETIEN

L'outil est robuste, complètement scellé et ne nécessite aucune préoccupation ou attention particulière. Les recommandations qui suivent sont néanmoins souhaitables pour assurer une longévité optimum:

### 3.1) Nettoyage élémentaire

Veiller à protéger l'outil de la poussière, du sable et de la boue qui sont un danger à tout système hydraulique. Chaque jour après utilisation, l'outil doit être nettoyé à l'aide d'un chiffon propre, tout particulièrement aux endroits de pièces mobiles.

Ne jamais utiliser d'hydrocarbures pour le nettoyage des parties en caoutchouc.

### 3.2) Rangement (Voir Fig. 7)

Au repos, pour protéger l'outil des coups accidentels et de la poussière, il convient de le ranger dans le coffret. Ce coffret (type VAL-P39), adapté pour contenir l'outil, ses accessoires et 8 paires de matrices a comme dimensions: 520x432x126 mm (20.5x17.0x5.0 inches) et un poids de 2,6 kg (5.7 lbs). Est disponible la coffret type VAL-130 dimensions 360x280x48 mm (14.17x11x1.89 in.), poids 3 kg (6.62 lbs) est adapté pour contenir les accessoires pour le sertissage des connecteurs en aluminium.

## 4. SERTISSAGE SUR CONNECTEURS POUR CABLES EN ALUMINIUM RÉALISANT UN POINÇONNAGE PROFOND EN MATRICE FERMÉE (Voir Fig. 2 et 3)

### 4.1 Mise au rond du câble (Voir Fig. 3a)

- ▶ Choisir l'adaptateur supérieur AU130-150 ou AU130-240 et la matrice de mise au rond UP.. en fonction de la section du câble qui doit être arrondi (Voir tableau à page 6).
- ▶ Monter sur la tête l'adaptateur supérieur (voir § 6.1)
- ▶ Insérer l'adaptateur AC130-P dans le logement du piston (voir § 6.2).
- ▶ Insérer la partie mobile (94) de la matrice de mise au rond dans l'adaptateur AC130-P en tirant le loquet (92).
- ▶ Insérer le câble à l'intérieur de la partie fixe (95) de la matrice de mise au rond et positionner ensuite cette dernière dans l'adaptateur AU130-150 ou AU130-240.



*S'assurer que la rainure supérieure présente sur la partie fixe de la matrice de mise au rond coïncide avec les goupilles localisées à l'intérieur de l'adaptateur.*

- ▶ Actionner l'outil (voir § 2.2) jusqu'à porter au contact les matrices de mise au rond, relacher ensuite la pression (voir § 2.4) et libérer le câble réduit à une forme compacte.

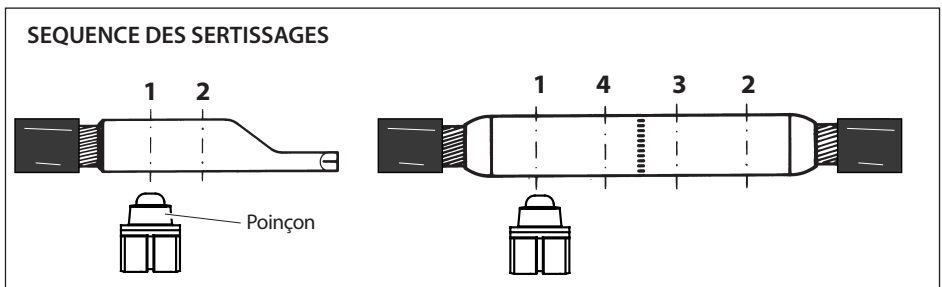
### 4.2 Exécution des sertissages (Voir Fig. 3b)

- ▶ Choisir l'adaptateur supérieure AU130... et l'ensemble matrice-poinçon à utiliser selon les indications du tableau à page 6,
- ▶ Monter sur la tête l' adaptateur supérieur AU130-150 ou AU130-240 (voir § 6.1).
- ▶ Insérer le poinçon PS130.../E dans le logement du piston (14) (voir § 6.2).
- ▶ Insérer le conducteur dans le connecteur.
- ▶ Insérer le connecteur dans la matrice coquille MV... (96) et positionner ensuite cette dernière dans l'adaptateur supérieur AU130-150 ou AU130-240.



*S'assurer que les rainures supérieures sur la matrice coïncident avec les goupilles localisées à l'intérieur de l'adaptateur.*

- ▶ En actionnant l'outil (voir § 2.2) commencer à sertir le connecteur en partant, pour les manchons, de l'extrémité vers l'intérieur et pour les cosses de l'extrémité arrière vers la plage (voir figure).

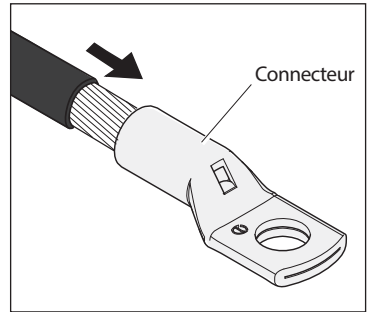


- ▶ La fin de sertissage est obtenue dès le contact du poinçon avec la matrice: il est conseillé de continuer à pomper jusqu'à l'arrêt automatique du moteur (voir § 2.3), puis appuyez sur la gâchette de déblocage (5), on provoque le retour du poinçon.
- ▶ Répéter le sertissage en positionnant chaque fois la matrice coquille à l'intérieur de l'adaptateur en faisant coïncider les rainures supérieures présentes sur la matrice avec les goupilles localisées à l'intérieur de l'adaptateur.

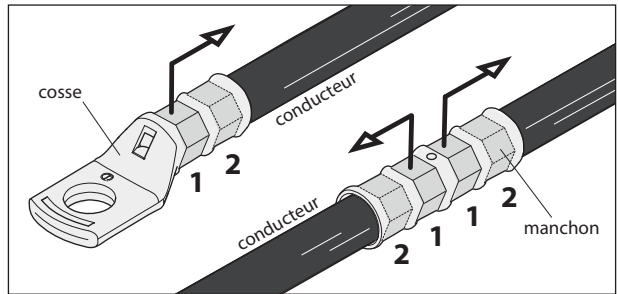
## 5. SERTISSAGE HEXAGONAL ET CIRCULAIRE SUR CONNECTEURS (Voir 4 et 5)

### 5.1) Exécution des sertissages

- ▶ Monter sur la tête l'adaptateur supérieure AU130-C (voir § 6.1)
- ▶ Choisir le couple de matrices approprié pour le type de connexion à réaliser; consulter le catalogue.
- ▶ Insérer les matrices à leur place (voir § 6.3).
- ▶ Insérer le conducteur dans le connecteur à utiliser.
- ▶ Positionner ce dernier entre les deux matrices en faisant coïncider la zone à sertir et l'empreinte des matrices.
- ▶ Après cela,opérer selon les indications du § 2.2.



**REMARQUE:** s'il est nécessaire de procéder à plusieurs sertissages de cosses ou de manchons, suivre la séquence et la direction reportée sur l'illustration en espaçant les empreintes de façon uniforme.



## 6. MONTAGE/DEMONTAGE DES ACCESSOIRES

### 6.1) Adaptateurs supérieurs (Voir Fig. 3 et 5)

- ▶ Insérer l'adaptateur dans les guides de la fourche (10) et le pousser en la position de fonctionnement donnée par le couplage des rainures sur les côtés de l'adaptateur avec des billes (06) sur les côtés de la fourche.
- ▶ Pour le démonter pousser avec force jusqu'au dégageage des billes (06).

### 6.2) Adaptateur inférieur et poinçons (Voir Fig. 3)

- ▶ Insérer l'adaptateur AC 130-P ou le poinçon PS 130.../E dans les guides du piston (14) en appuyant sur le poussoir (04) et le pousser jusqu'à ce que l'ergot (02) la verrouille.  
Cette opération est facilitée par l'avancement de 15-20 mm du piston (14).
- ▶ Pour le dégager appuyer sur le poussoir (04) et le faire glisser.

### 6.3) Matrices semi-circulaires (Voir Fig. 5)

- ▶ Insérer la matrice supérieure (88) dans l'adaptateur AU130-C (09) en appuyant sur le poussoir (08) et la pousser jusqu'à ce que l'ergot (07) le verrouille.
- ▶ Pour la dégager appuyer sur le poussoir (08) et la faire glisser.
- ▶ Insérer la matrice inférieure (89) dans les guides du piston (14) en appuyant sur le poussoir (04) et la pousser jusqu'à ce que l'ergot (02) la verrouille.  
Cette opération est facilitée par l'avancement de 15-20 mm du piston (14).
- ▶ Pour la dégager appuyer sur le poussoir (04) et la faire glisser.

## 7. ECRAN

L'écran OLED s'active lors du démarrage de l'outil et se désactive automatiquement au bout de 60 secondes d'inutilisation de l'outil.

L'écran permet d'afficher:

- Les principaux paramètres opérationnels de fonctionnement de l'outil, configurés par la carte électronique, tels que la pression ou la force développée.
- Informations sur l'état de l'outil telles que le niveau de charge, la température de la batterie et besoin éventuel d'entretien.
- ERREURS éventuelles de fonctionnement ou de procédure.

Il est possible de se déplacer dans le menu à l'aide de la touche tactile (8) et de gérer les ÉCRANS D'INFORMATION ET DE SÉLECTION:

**7.1) ECRANS D'INFORMATION** affichent à l'écran un paramètre donné qui s'affichera ensuite à chaque démarrage de l'outil et tout au long du cycle de travail.

**F<sub>m</sub> = 125.2 kN**  
**F<sub>p</sub> = 94.5 kN**

F<sub>m</sub>: Force minimale de réglage, exprimée en kN.  
F<sub>p</sub>: Force atteinte en temps réel, exprimée en kN  
(écran tel que configuré par les paramètres standards d'usine).



**F<sub>m</sub> = 14.07 ton**  
**F<sub>p</sub> = 10.61 ton**

F<sub>m</sub>: Force minimale développée, exprimée en tonnes courtes (USA).  
F<sub>p</sub>: Force atteinte en temps réel, exprimée en tonnes courtes (USA).



**P<sub>m</sub> = 692 bar**  
**P<sub>p</sub> = 522.3 bar**

P<sub>m</sub>: Pression minimale de réglage, exprimée en bar.  
P<sub>p</sub>: Pression atteinte en temps réel, exprimée en bar.



**P<sub>m</sub> = 10037 psi**  
**P<sub>p</sub> = 7575 psi**

P<sub>m</sub>: Pression minimale de réglage, exprimée en psi.  
P<sub>p</sub>: Pression atteinte en temps réel, exprimée en psi.



Niveau de charge de la batterie.



Nbr de cycles effectués.  
Nbr de cycles restant à effectuer lors de l'entretien ordinaire.



**B1350**  
**13AB485**

logo CEMBRE, série outil.  
Nr° de série de l'outil.





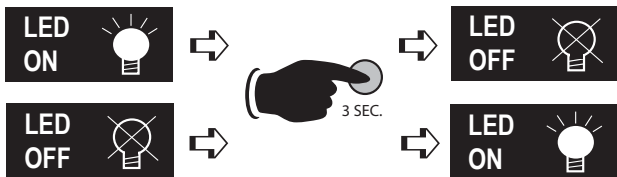
Une fois que l'écran présélectionné s'est affiché, pour le rendre opérationnel et fixe à chaque démarrage de l'outil, maintenir la touche tactile appuyée pendant une période prolongée (au moins 3 secondes). Un signal sonore continu confirmera la configuration effective.



*La touche capacitive risque de ne pas fonctionner si celle-ci est effleurée avec des objets ou des gants, appuyer sur cette touche uniquement à mains nues.*

**7.2) ECRANS DE SELECTION:** permettent de modifier certains paramètres de réglage, ils ne peuvent être configurés de manière automatique au démarrage de l'outil; pour les activer, il est toujours nécessaire d'appuyer sur la touche tactile.

**Activation/désactivation des LED** (paramètre standard d'usine: LED ACTIVÉE)



Une fois l'écran affiché et lors de l'utilisation de l'outil, pour le désactiver ou réactiver le démarrage des LED, maintenir la touche tactile appuyée pendant une période prolongée (au moins 3 secondes). Un signal sonore continu confirmera la configuration effective.

**Retour au paramètres d'usine de départ / Version du firmware**

Une fois l'écran "RESET" affiché, maintenir la touche tactile appuyée pendant une période prolongée (au moins 3 secondes). Un signal sonore continu confirmera la configuration effective.



L'écran RESET affiché également la version du firmware de la carte électronique.

**7.3) AVERTISSEMENT** s'affichent lors du fonctionnement et fournissent des informations à l'opérateur sur l'état de l'outil:



**BATTERIE DÉCHARGÉE:** procéder à son remplacement.

**REMARQUE:** lorsque la tension de la batterie est inférieure au seuil minimal de sécurité, l'outil ne démarre pas mais l'opérateur peut, quoiqu'il en soit, terminer le cycle de travail en cours.



**TEMPÉRATURE ÉLEVÉE DE LA BATTERIE:** retirer la batterie et patienter jusqu'à ce qu'elle se refroidisse.










**UNE FOIS LE NBR DE CYCLES PREVU POUR L'ENTRETIEN ORDINAIRE**

**EFFECTUEE:** l'outil continue à fonctionner, il est recommandé d'envoyer l'outil à CEMBRE afin de procéder à une révision complète (voir § 8).

**REMARQUE:** ce message, associé à un signal sonore, apparaît à nouveau au bout de 30 secondes d'inutilisation de l'outil.

**7.4) ERREURS:** s'affichent lors du fonctionnement. Associé à un signal sonore et lumineux ce message indique à l'opérateur d'éventuelles erreurs de procédure ou de fonctionnement.

Message	Description erreur	Solution
	Actionnement de la gâchette de déblocage pression (5) avant que l'outil n'ait atteint les paramètres de réglage (Force/Pression).	Procéder à nouveau au cycle de travail et attendre l'arrêt automatique du moteur.
	Interruption du signal de la sonde de température NTC de la batterie.	Remplacer la batterie. Si le problème persiste, contacter CEMBRE.
	Absorption anormale de courant de la part du moteur pendant plus de 3 secondes. L'outil s'arrête.	Patienter jusqu'à l'arrêt de l'écran (60 secondes) ou retirer, puis réinsérer la batterie. Redémarrer l'outil. Si ce signal d'erreur apparaît souvent, contacter CEMBRE.
	Tension de sortie de l'émetteur de pression en dehors de l'intervalle configuré.	Procéder à nouveau au cycle de travail. Si ce signal d'erreur apparaît souvent, contacter CEMBRE.
	Impossible d'atteindre la pression de tarage dans les 30 secondes à compter de l'actionnement continu de l'outil.	Procéder à nouveau au cycle de travail. Si ce signal d'erreur apparaît souvent, contacter CEMBRE.
	Surcharge de la batterie avec actionnement de la protection. L'outil s'arrête.	Patienter jusqu'à l'arrêt de l'écran (60 secondes) ou retirer, puis réinsérer la batterie. Redémarrer l'outil. Si ce signal d'erreur apparaît souvent, contacter CEMBRE.

 *Les erreurs restent affichés à l'écran pendant environ 30 secondes, puis l'erreur est réinitialisée. Ils se présentent à nouveau en cas d'anomalie permanente.*

## 8. CONNEXION À L'ORDINATEUR (Smartool technology)

Le fichier de mémoire intégrée dans l'outil permet d'enregistrer les paramètres de fonctionnement et de pouvoir les transférer vers un ordinateur par l'intermédiaire du câble USB fourni. Pour visualiser et gérer les données mémorisées, le logiciel CEMBRE **CEM\_SWBTO1** est disponible gratuitement après enregistrement dans le domaine réservé du site [www.cebreme.com](http://www.cebreme.com). Dans ce domaine réservé, il sera alors possible de trouver les mises à jour éventuelles des firmwares permettant à vos propres outils une meilleure efficacité et d'améliorer leurs performances.

## 9. ENVOI EN REVISION A CEMBRE

En cas de dysfonctionnement de l'appareil, merci de vous adresser à notre Agent Régional qui vous conseillera et le cas échéant vous donnera les instructions nécessaires pour envoyer l'appareil à notre Centre de Service le plus proche. Dans ce cas, joindre une copie du Certificat d'Essai livré par CEMBRE avec l'appareil ou remplir et joindre le formulaire disponible dans la section "ASSISTANCE" du site web CEMBRE.

# 1. ALLGEMEINE EIGENSCHAFTEN

		B1350-UC	B1350-UCE	B1350-UCT	B1350-UCA
<b>Anwendungsbereich</b>		Geeignet zum Verpressen von Kabelschuhen und Verbindern, bis auf 400 mm <sup>2</sup> (800 MCM) und für Aluminiumleiter bis 300 mm <sup>2</sup> (600 MCM) mit Tiefnutkerbung			
Nennpreßkraft	kN (US sh. ton)	132 (14.84)			
Minimale Preßkraft	kN (US sh. ton)	125,2 (14.07)			
Minimaler Arbeitsdruck	bar (psi)	692 (10037)			
Abmessungen (siehe Bild 6)	mm (inches)	351x369x83 (13.8x14.5x3.3)			
Gewicht inkl. Akku	kg (lbs)	6,3 (13.8)			
Motor	V DC	18			
Betriebstemperatur:	°C (°F)	-15 bis +50 (+5 bis +122)			
Empfohlenes Öl:		ENI ARNICA ISO 32 oder ähnliches			
Kolbenvorschub:		Das Werkzeug ist mit einer Doppelkolbenhydraulik ausgerüstet, die ein schnelles Zusammenfahren der Presseinsätze ermöglicht. Beim Beginn des Pressvorganges wird auf den langsameren Arbeitshub umgeschaltet			
Sicherheit:		Überdruckventil			
<b>Wiederaufladbarer Akku</b>	V / Ah / Wh	18 / 5.2 / 93.6			
Typ		CB1852L (Li-Ionen)			
Gewicht	kg (lbs)	0,66 (1.45)			
<b>Akkuladegerät</b>	Typ	ASC55-EU	ASC55-UK	ASC30-36-AUS/NZ	ASC30-36-USA/CA
ASC30-36	V / Hz	220 - 240 / 50 - 60			115 / 60
Spannung	W	85			
<b>Lärmschutzbestimmung</b> <sup>(1)</sup>					
L <sub>pA</sub>	dB (A)	73			
L <sub>pCPeak</sub>	dB (C)	94.5			
L <sub>WA</sub>	dB (A)	79			
<b>Vibrationen</b> <sup>(2)</sup>	m/s <sup>2</sup>	0.575 max.			

<sup>(1)</sup> Richtlinie 2006/42/EG, Anhang 1, Nummer 1.7.4.2, Buchstabe u

L<sub>pA</sub> = Stufe konstanter Emissionsschalldruckpegel entsprechend Gewichtung A am Arbeitsplatz

L<sub>pCPeak</sub> = maximaler Emissionsschalldruckpegel entsprechend Gewichtung C am Arbeitsplatz

L<sub>WA</sub> = Emissionsschalldruckpegel durch das Gerät

<sup>(2)</sup> Richtlinie 2006/42/EG, Anhang 1, Nummer 2.2.1.1

Der durchschnittliche Schwingungsgesamtwert dem die oberen Körpergliedmaßen ausgesetzt sind, wurde technisch vergleichbar nach EN ISO 5349-1/2 an einer repräsentativen Maschine ermittelt und übersteigt nicht den vorgeschriebenen Wert.

## HINWEISE



*Verwenden Sie das Akkuwerkzeug ausschließlich für den vom Hersteller vorgesehenen Anwendungszweck.*

*Arbeiten Sie konzentriert und lassen Sie sich während des Einsatzes nicht ablenken. Nehmen Sie zur Arbeit eine sichere und standfeste Arbeitsposition ein!*



*Vor Beginn der Arbeiten an elektrischen Anlagen ist sicherzustellen, dass sich keine spannungsführenden Teile in unmittelbarer Nähe des Arbeitsbereiches befinden. Ansonsten muss durch geeignete Maßnahmen entsprechend der EN 50110-1 der Arbeitsbereich abgesichert werden.*



*Dieses Werkzeug nicht ohne ausreichende Schutzmaßnahmen an oder in der Nähe von stromführenden Leitungen verwenden! Eine Nichtbeachtung von den Schutzmaßnahmen kann zu Verletzungen oder zum Tode führen.*



*Die Akkuwerkzeuge sind nicht für einen Dauereinsatz geeignet. Wenn ein voll geladener Akku durch hintereinander ausgeführte Verpressungen getauscht werden muss, empfehlen wir vor dem Akkuwechsel das Werkzeug eine angemessene Zeit abkühlen zu lassen.*



*Das Werkzeug vor Regen und Feuchtigkeit schützen. Wasser könnte das Werkzeug und den Akku beschädigen. Elektrohydraulische Werkzeuge sollten nicht im Regen eingesetzt werden.*

DEUTSCH

## 2. BEDIENUNGSHINWEISE



**WICHTIG:** *Betätigen Sie das Werkzeug nie ohne Einsätze, dies kann zur Beschädigung des Kopfes und des Kolbens führen.*

Zum Lieferumfang gehören folgende Teile (Bild 7 Seite 57):

- ▶ Hydraulisches Akkupresswerkzeug.
- ▶ Oberen Adapter AU130-C.
- ▶ 2 wiederaufladbare Li-Ion Akkus.
- ▶ Ladegerät (entsprechend der Länderkonfiguration).
- ▶ Trageriemen.
- ▶ Kunststoffkoffer.
- ▶ USB-Kabel (siehe Punkt 8).

Das Werkzeug wird mit dem oberen Adapter **AU130-C** ergänzt und kann für verschiedene Schalen Preßeinsatztypen (kompatibel zu anderen 130 kN Werkzeug von CEMBRE) verwendet werden:

- ▶ Sechskantverpressung und Rundrücken von Kupfer, Aluminium, Aldrey und Aluminium-Stahl Leiter.
- ▶ Kerbverpressung von Kupferleitern

Mit dem oberen Adapter **AU130-150**, **AU130-240** und dem unteren Adapter **AC130-P**, kann das Werkzeug mit folgenden Einsätzen verwendet werden:

- ▶ Rundrückenmatrizen **UP130-...** für Aluminium-Sektorkabel (ein- und mehrdrähtig).
- ▶ Haltematrizen (wie die Serien **MV**, **MVC**, **MVM**, **MUA**) um Preßverbinder auf Aluminiumkabel mit der Tiefnutkerbung zu verpressen.

## 2.1) Vorbereitung

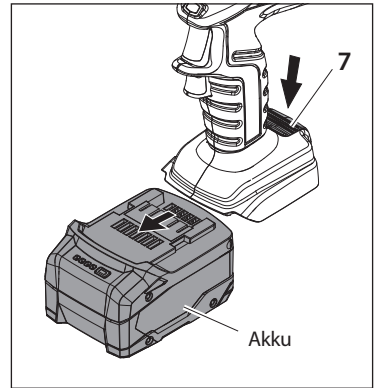


**Einsetzen der Presseinsätze und der Wechsel muss immer mit ausgebautem Akku erfolgen.**

Das Werkzeug kann bequem am Griff oder mit dem Trage-riemen der am Ring (Bild 6 T.10) befestigt ist, transportiert werden.



**Überprüfen Sie vor jedem Arbeitsvorgang de Ladezustand der Akkus (siehe Pkt. 2.8). Um die Akkus aufzuladen, folgen Sie den Anweisungen in der Bedienungsanleitung des Akkuladegerätes auf.**



- ▶ Drücken Sie für den Akkuaustausch auf die Entriegelung (7) (siehe Bild 1) und führen Sie den neuen Akku bis zum Einratsen ein.
- ▶ Auf dem Display werden die Betriebsparameter des Werkzeuges angezeigt. Sie können laut der Bedienungsanleitung Pkt. 2.7 persönliche Einstellungen vornehmen.
- ▶ Je nach Verbindung, gehen Sie wie in Pkt. 4 oder 5 beschrieben vor.

## 2.2) Positionierung

- ▶ Durch Drücken des Startknopfes (4) beginnen Motor und Pumpe zu arbeiten und die Preßeinsätze nähern sich dem Verbinder oder Kabelschuh.
- ▶ Sobald der Startknopf (4) wieder losgelassen wird, halten Motor und Kolben sofort an.



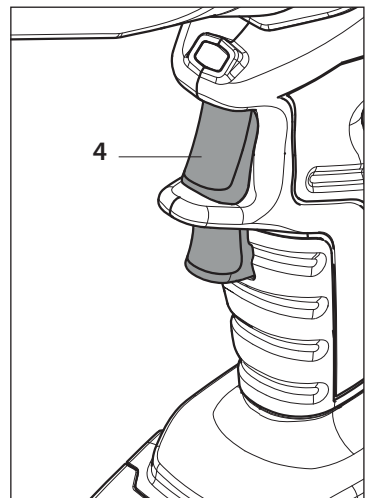
**Die Presseinsätze müssen in die gewünschte Position am Verbinder oder Kabelschuh gebracht werden. Sollte diese nicht korrekt sein, muss das Werkzeug entsprechend Pkt. 2.4 geöffnet werden und es kann neu positioniert werden.**

## 2.3) Verpressung

- ▶ Wird der Startknopf (4) weitergedrückt, fahren die Presseinsätze langsam aufeinander zu und die Verpressung wird durchgeführt.
- ▶ Das Werkzeug hält bei Erreichen des eingestellten Druckes automatisch an.



**Halten Sie für einen korrekten Pressvorgang den Startknopf bis zur automatischen Abschaltung des Motors gedrückt.**



**ANMERKUNG:** Zum Anzeigen der aktuellen Kraft- oder Presswerte während der Arbeitszyklen stellen Sie bitte die entsprechenden Ansichten ein (siehe Pkt. 7). Wenn Sie den Startknopf vor der automatischen Abschaltung des Motors loslassen, zeigt das Display die zu diesem Zeitpunkt erreichte Maximalkraft ( $F_p$ ) oder den Maximaldruck ( $P_p$ ) an.

$F_m = 125.2 \text{ kN}$   
 $F_p = 102.3 \text{ kN}$

$F_m = 125.2 \text{ kN}$   
OK

$P_m = 692 \text{ bar}$   
 $P_p = 565 \text{ bar}$

$P_m = 692 \text{ bar}$   
OK

Um den Arbeitsvorgang zu beenden, drücken Sie erneut auf den Startknopf des Motors, bis zur automatischen Abschaltung des Motors. Das Display zeigt nun die maximal erreichten Kraft- oder Druckwerte, gefolgt von "OK" an, was den korrekten Vorgang bestätigt.



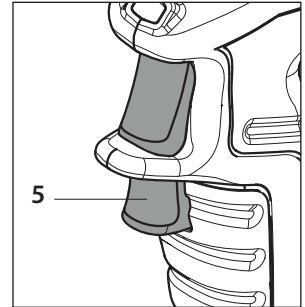
*Die Meldung "ERROR" in Verbindung mit einem akustischen Signal und blinkenden LED-Anzeigen deutet daraufhin, dass der Pressvorgang aufgrund eines vorzeitigen Abbruchs des Arbeitszyklus vor Erreichen*

*der Einstellparameter (Kraft/Druck) des Werkzeuges fehlerhaft war. Dieser Fehler tritt auf, wenn der Druckablassknopf gedrückt wird und das Werkzeug einen Druck > 100 bar erreicht hat. Wiederholen Sie den Pressvorgang in diesem Fall und halten Sie den Startknopf bis zur automatischen Abschaltung des Motors gedrückt.*

**ERROR**

## 2.4) Öffnen der Presseinsätze

Drücken Sie kräftig den Druckablassknopf (5). Dadurch fährt der Kolben zurück und die Presseinsätze geben den Verbinder frei.



## 2.5) LED

Während der Betätigung des Werkzeuges wird der Pressbereich von zwei LED-Anzeigen mit hoher Helligkeit ausgeleuchtet, die sich am Zyklusende automatisch abschalten.



*Die LED Leuchten können wie unter Pkt. 7.2 beschrieben deaktiviert werden.*

## 2.6) Drehbewegung des Kopfes

Das Werkzeug ist mit einem Kopf ausgerüstet, der um 180° drehbar ist und somit ein komfortables Arbeiten ermöglicht.



*Der Kopf sollte keinesfalls in eine andere Position gedreht werden, während die Akkupresse unter Druck steht.*

## 2.7) Kapazitive Taste

Die Taste befindet sich unterhalb des Displays und ermöglicht die Auswahl verschiedener Ansichten (siehe Pkt. 7). Sie funktioniert nur bei eingeschaltetem Display und es reicht sie mit bloßen Fingern leicht zu berühren. Das Tragen von Handschuhen bzw. andere Gegenstände könnten die Betätigung verhindern.



*Drücken Sie niemals fest auf die kapazitive Taste. Es reicht aus, sie sanft mit einem Finger und mit bloßen Händen zu berühren. Der Steuerungsimpuls wird beim Loslassen gesendet.*

## 2.8) Akkuladung

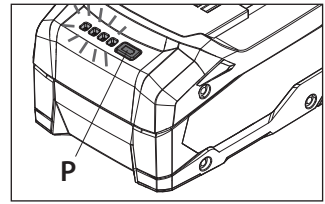
- Der Akku ist mit LED-Anzeigen ausgestattet, der jederzeit über die verbleibende Akkulaufzeit Auskunft gibt, indem man auf die Taste (P) drückt:

4 LED eingeschaltet: Maximale Ladung

2 LED eingeschaltet: Ladung zu 50 %

1 LED blinkend: Minimale Ladung, Akku austauschen bzw. aufladen

- Wenn sich der Akku im Werkzeug befindet, kann man die verbleibende Akkulaufzeit auch auf dem Display ablesen, indem man die kapazitive Taste berührt (siehe Pkt. 7).



max.



min.



*Diese Ansicht zeigt an, dass der Akku leer und die Spannung auf das Mindestsicherheitsniveau gesunken ist. Unter diesen Bedingungen kann das Werkzeug nicht in Betrieb genommen werden. Laden Sie den Akku auf oder tauschen Sie ihn aus.*

*Ein vollständiger Ladevorgang eines leeren Akkus dauert etwa 100 Minuten.*

*Ein vollständiger Ladevorgang eines leeren Akkus dauert etwa 100 Minuten.*



*Nach jedem Arbeitszyklus, wie auch nach der Entfernung des Akkus aus dem Werkzeug, schaltet sich dieses durch die eingebaute Elektronik nach ca. 70s automatisch ab.*

*Als Bestätigung des Vorganges wird die LED bei der Taste (P) 5-mal hintereinander innerhalb von ca. 14s blinken. Der Akku wird wieder aktiviert durch das Einführen in das Werkzeug und durch die Betätigung des Startknopfes.*



## 2.9) Verwendung des Ladegerätes

Die in der Bedienungsanleitung gegebenen Hinweise sind zu beachten.

## 3. WARTUNG

Das Werkzeug ist robust und benötigt keine spezielle Pflege.

Zur Erhaltung der Garantieansprüche beachten Sie folgende Hinweise:

### 3.1) Pflege

Dieses hydraulische Werkzeug sollte vor starker Verschmutzung geschützt werden, da dies für ein hydraulisches System gefährlich ist. Nach jeder täglichen Anwendung sollte das Werkzeug mit einem Tuch von Schmutz und Staub gereinigt werden, besonders die beweglichen Teile. Verwenden Sie keine Kohlenwasserstoffe (z.B. Teilereiniger, Bremsenreiniger) zum Reinigen der Gummiteile.

### 3.2) Lagerung (siehe Bild 7)

Wird das Werkzeug nicht benötigt, sollte es in dem Kunststoffkoffer gelagert werden, um es so gegen Beschädigungen wie Stöße und Staub zu schützen.

Der Kunststoffkoffer Typ VAL-P39 hat folgende Abmessungen: 520x432x126 mm (20.5x17.0x5.0 inches) und ein Gewicht von 2,6 kg (5.7 lbs.). Er ist geeignet zum Lagern von Werkzeug, Zubehör und auch 8 Paar Presseinsätzen.

Die Stahlkassette Typ VAL-130: Abmessungen 360x280x48 mm (14.17x11x1.89 in.), Gewicht 3 kg (6.62 lbs) ist geeignet zum Lagern von Zubehör für die Tiefnutverpressung.

## 4. VERPRESSEN VON ALUMINIUMVERBINDERN UND KABELSCHUHEN BEI ALUMINIUMKABEL (TIEFNUTKERBUNG) (siehe Bild 2 und 3)

### 4.1 Kabel runddrücken (bei sektorförmige Leitern) (siehe Bild 3a)

- ▶ Oberen Adapter AU130-150 oder AU130-240 und Runddrückeinsätze UP.. für das Kabel entsprechend der Tabelle (siehe Seite 6) auswählen.
- ▶ Fixieren des oberen Adapters AU130-150 oder AU130-240 im Presskopf (siehe Pkt. 6.1).
- ▶ Fixieren des unteren Adapters AC130-P im Presskopf (siehe Pkt. 6.2).
- ▶ Durch Ziehen vom Haltestift (92) das bewegliche Teil (94) von dem Runddrückeinsatz in den Adapter AC130-P einsetzen.
- ▶ Das Kabel im feste Teil (95) des Runddrückeinsatzes positionieren und diesen im Adapter AU130-150 oder AU130-240 positionieren.



*Es ist auf die Position der Nut im Runddrückeinsatz zu achten, die mit den federnden Stiften im Adapter übereinstimmen muss.*

- ▶ Betätigen Sie das Werkzeugs (siehe Pkt. 2.2), bis die Runddrückeinsätze geschlossen sind und der Leiter rund gedrückt ist, danach den Druck ablassen.

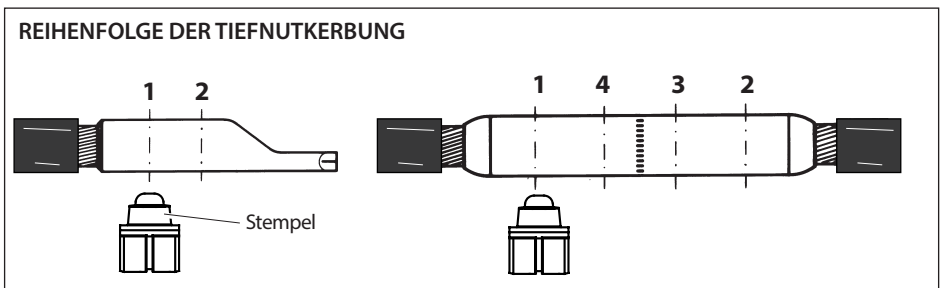
### 4.2 Verpressvorgang (siehe Bild 3b)

- ▶ Den oberen Adapter AU130-..., Haltematrize MV... und Stempel PS... entsprechend des Verbinders aus der Tabelle (siehe Seite 6) wählen.
- ▶ Fixieren des oberen Adapters AU130-150 oder AU130-240 im Presskopf (siehe Pkt. 6.1).
- ▶ Einsetzen des Stempels PS130.../E auf den Kolben (14) (siehe Pkt. 6.2).
- ▶ Kabel in den Verbinder oder Kabelschuh einlegen und positioniere diesen in der Haltematrize MV... (96), sowie anschliessend im Adapter AU130-150 oder AU130-240.



*Es ist auf die Position der Nuten in der Haltematrize zu achten, die mit den federnden Stiften im Adapter übereinstimmen müssen*

- ▶ Mit dem Werkzeug die Verpressung beginnen (siehe Pkt. 2.2). Der Kabelschuh wird vom Leiter zur Kabelschuhlasche verpresst; ein Verbinder wird zu erst aussen und dann anschliessend in der Mitte verpresst (siehe Bild).



- ▶ Die Verpressung ist fertig, wenn die Presseinsätze und Stempel vollständig geschlossen sind, bis zur automatischen Abschaltung des Motors (siehe Pkt. 2.3), Anschließend den Druckablassknopf betätigen (5) und der Stempel fährt in die Ausgangsposition zurück.
- ▶ Den Vorgang wiederholen, in dem jedes mal den Presseinsatz im Adapter verschoben wird, so dass die oberen Nuten vom Presseinsatz mit den Stiften vom Adapter übereinstimmen.

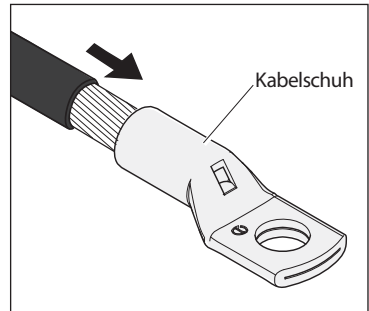


## 5. EINSATZ BEI KABELSCHUH MIT RUND- ODER SECHSKANTVERPRESSUNG

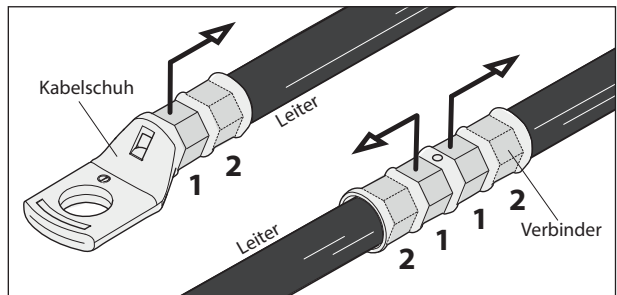
(siehe Bild 4 und 5)

### 5.1) Ausführung der Verbindung

- ▶ Adapter AU130-C in den Presskopf montieren (siehe Pkt.6.1).
- ▶ Passende Presseinsätze auswählen.
- ▶ Presseinsätze in den Presskopf einsetzen (siehe Pkt. 6.3).
- ▶ Den zu verpressenden Leiter in den Verbinder oder Kabelschuh einlegen.
- ▶ Positionieren Sie den Verbinder oder Kabelschuh an der vorgeschriebenen Position am Presseinsatz.
- ▶ Weiter wie in Pkt. 2.2 angegeben.



**ANMERKUNG:** Beim Pressen von -Kabelschuhen oder Verbindern gehen Sie bei mehreren erforderlichen Pressvorgängen gemäß der in der Abbildung angegebenen Reihenfolge und Richtung vor. Lassen Sie einen gleichmäßigen Abstand zwischen den verschiedenen Verpressungen.



## 6. ZUBEHÖR MONTAGE UND DEMONTAGE

### 6.1) Oberer Adapter (siehe Bild 3 und 5)

- ▶ Oberen Adapter in die Befestigung an der Presskopf (10) einsetzen.  
Die gewünschte Position ist erreicht, wenn der Kugelstift (06) an der Seite der U-Gabel (10) in die Nut am Adapter eingerastet ist.
- ▶ Um den Adapter zu entfernen, am Adapter kräftig drücken und ihn herausziehen.

### 6.2) Unterer Adapter und Stempel (siehe Bild 3)

- ▶ Unteren Adapter AC130-P oder Stempel PS130.../E in die Befestigung am Kolben (14) einsetzen. Werkzeug betätigen den Kolben (14) 15-20 mm vorfahren, Druckknopf (04) zum Einsetzen des unteren Adapter oder Stempel auf dem Kolben drücken, da sich damit der Arretierungsstift (02) absenkt und der Adapter oder Stempel seitlich eingeschoben werden kann.
- ▶ Den Knopf (04) drücken um sie zu Lösen.

### 6.3) Schalen Presseinsätze (siehe Bild 5)

- ▶ Druckknopf (08) zum Einsetzen des oberen Presseinsatzes (88) auf der Vorderseite den Adapter AU130-C drücken damit der Arretierungsstift (07) absenkt und der Presseinsatz seitlich eingeschoben werden kann.
- ▶ Den Knopf (04) drücken um die Presseinsätze zu Lösen.
- ▶ Das Werkzeug betätigen um den Kolben (14) 15-20 mm vorzufahren, Druckknopf, (04) zum Einsetzen des unteren Presseinsatzes (89) auf dem Kolben drücken, da sich damit der Arretierungsstift (02) absenkt und der Presseinsatz seitlich eingeschoben werden kann.
- ▶ Den Knopf (04) drücken um die Presseinsätze zu Lösen.

## 7. DISPLAY

Das mit der OLED-Technologie ausgestattete Display wird mit dem Starten des Werkzeuges aktiv und wird nach etwa 60 Sekunden, in denen das Werkzeug nicht benutzt wird, automatisch inaktiv. Auf dem Display wird folgendes angezeigt:

- ▶ Die wichtigsten Betriebsparameter wie Druck oder erzeugte Kraft die von der Elektronik erfasst wurden.
- ▶ Informationen über den Zustand des Werkzeuges, wie Ladezustand, Temperatur des Akkus und Wartungsempfehlungen
- ▶ Mögliche Fehler über das Werkzeug oder den Arbeitsvorgang

Mit Hilfe der kapazitiven Taste (8) kann man im Menü navigieren und die INFORMATIONEN- UND AUSWAHLANSICHTEN VERWALTEN:

**7.1) INFORMATIONENSANSICHTEN:** Damit kann ein bestimmter Parameter auf dem Display angezeigt werden, der anschließend bei jedem Starten des Werkzeuges und während des gesamten Arbeitszyklus erscheint.

DEUTSCH

**F<sub>m</sub> = 125.2 kN**  
**F<sub>p</sub> = 94.5 kN**

F<sub>m</sub>: Mindestpresskraft in kN.  
F<sub>p</sub>: Erreichter Mindestpresskraft in kN  
(Werkseinstellung).



**F<sub>m</sub> = 14.07 ton**  
**F<sub>p</sub> = 10.61 ton**

F<sub>m</sub>: Mindestpresskraft in USA Kurztonnen.  
F<sub>p</sub>: Erreichter Mindestpresskraft in USA Kurztonnen.



**P<sub>m</sub> = 692 bar**  
**P<sub>p</sub> = 522.3 bar**

P<sub>m</sub>: Mindestdruck in bar.  
P<sub>p</sub>: Erreichter Momentandruck in bar.



**P<sub>m</sub> = 10037 psi**  
**P<sub>p</sub> = 7575 psi**

P<sub>m</sub>: Mindestdruck in psi.  
P<sub>p</sub>: Erreichter Momentandruck in psi.



Ladezustand des Akkus.



Anzahl der ausgeführten Zyklen.  
Anzahl der ausstehenden Zyklen bis zur normale Wartung.



CEMBRE-Logo, Werkzeugtyp.  
Seriennummer des Werkzeuges.



Wenn Sie die ausgewählte Ansicht bei jedem Starten des Werkzeuges fest anzeigen möchten, berühren Sie länger (ca. 3 Sekunden) die kapazitive Taste, woraufhin ein akustisches Signal die betreffende Einstellung bestätigt.



*Die kapazitive Taste funktioniert womöglich nicht, wenn sie mit Gegenständen oder Handschuhen berührt wird. Benutzen Sie immer die bloßen Hände.*

#### 4.2) AUSWAHLANSICHTEN: Damit kann man einige Einstellparameter verändern.

Sie können nicht automatisch beim Starten des Werkzeuges eingestellt werden, sondern sind nur mit Hilfe der kapazitiven Taste abrufbar:

#### Aktivierung/Deaktivierung der LED-Anzeigen (Werkseinstellung: LED ON)



Berühren Sie die angezeigte Ansicht mindestens 3 Sek., um das Einschalten der LED-Anzeige während der Verwendung des Werkzeuges zu aktivieren oder zu deaktivieren. Ein akustisches Signal signalisiert die erfolgte Einstellung an.

#### Rückkehr zu den ursprünglichen Werkseinstellungen/Firmware-Version

Berühren Sie die kapazitive Taste bei angezeigter "RESET"-Ansicht mindestens 3 Sek., um das Werkzeug zu den Werkseinstellungen zurückzusetzen.

Ein akustisches Signal signalisiert die erfolgte Einstellung an.



Die RESET-Einstellung zeigt außerdem die Firmware-Version der Elektronikkarte an.

#### 7.3) WARNHINWEISE: Sie erscheinen während des Betriebes und informieren den Bediener über den Zustand des Werkzeuges:



**AKKU LEER:** Akku austauschen

**ANMERKUNG:** Wenn die Batteriespannung unter das Mindest-Sicherheitsniveau sinkt, startet das Werkzeug nicht mehr. Man kann jedoch den laufenden Zyklus beenden.



**ERHÖHTE AKKUTEMPERATUR:** Die Akku entnehmen und abkühlen lassen.



**IST FÜR DIE NORMALE WARTUNG VORGESEHENE ANZAHL AN ZYKLEN ERREICHT:** Das Werkzeug funktioniert weiterhin, es wird aber empfohlen, es für eine Wartung an CEMBRE zu schicken (siehe Pkt. 8).

**ANMERKUNG:** Diese Meldung erscheint zusammen mit einem akustischen Signal immer nach 30 Sekunden, in denen das Werkzeug nicht verwendet wird.

**7.4 FEHLERMELDUNGEN:** Erscheinen während des Betriebes in Verbindung mit einem akustischen Signal und einem Blinken der LED-Anzeigen. Damit wird der Anwender über mögliche Betriebs- und Arbeitsfehler informiert.

Meldung	Beschreibung des Fehlers	Lösung
	Betätigung des Druckablassknopfes (5) vor Erreichen der eingestellten Parameter (Kraft/Druck).	Wiederholen Sie den Arbeitszyklus und warten Sie bis zur automatischen Abschaltung des Motors.
	Unterbrechung des Signals vom NTC-Temperaturfühler der Akku.	Den Akku austauschen. Wenn das Problem weiter besteht, bitte CEM-BRE kontaktieren.
	Anomale Stromaufnahme des Motors für mehr als 3 Sekunden. Das Werkzeug bleibt stehen.	Warten Sie bis das Display inaktiv wird (60 Sek) oder entnehmen Sie den Akku und führen Sie ihn wieder ein. Starten Sie das Werkzeug erneut. Wenden Sie sich an CEMBRE, falls dieser Fehler wiederholt auftritt.
	Die Ausgangsspannung des Drucksensors liegt nicht im festgelegten Bereich.	Wiederholen Sie den Arbeitszyklus. Wenden Sie sich an CEMBRE, falls der Fehler wiederholt auftritt.
	Dereinstellte Pressdruck wurde innerhalb von 30 Sek. nicht erreicht, seit dem Einschalten des Werkzeuges.	Wiederholen Sie den Arbeitszyklus. Wenden Sie sich an CEMBRE, falls der Fehler wiederholt auftritt.
	Akkuüberlastung und Auslösung der Schutzvorrichtung. Das Werkzeug hält an.	Warten Sie bis das Display inaktiv wird (60 Sek) oder entnehmen Sie den Akku und führen Sie ihn wieder ein. Starten Sie das Werkzeug erneut. Wenden Sie sich an CEMBRE, falls dieser Fehler wiederholt auftritt.

DEUTSCH



*Die Fehlermeldungen werden auf dem Display etwa 30 Sekunden lang angezeigt, dann wird der Fehler zurückgesetzt. Bei permanenter Störung werden sie erneut angezeigt.*

## 8. ANSCHLUSS AN EINEN COMPUTER (Smartool technology)

Der im Werkzeug integrierte Speicher ermöglicht die Betriebsparameter zu speichern und mit dem mitgelieferten USB-Kabel auf einen Computer zu übertragen.

Um die Daten vom Werkzeug zu übertragen und zu verwalten, müssen Sie unter [www.cembre.com](http://www.cembre.com) die CEMBRE Software **CEM\_SWBT01** nach einer Registrierung downloaden.

Hier finden Sie auch mögliche Firmware Updates für die Platine des Werkzeuges, um eine bestmögliche Leistung und Effizienz des Werkzeuges zu ermöglichen.

## 9. EINSENDUNG AN CEMBRE ZUR ÜBERPRÜFUNG

Sollten an dem Gerät Fehler auftreten, wenden Sie sich bitte an unsere Gebietsvertretung, die Sie gerne beraten und Ihnen alle nötigen Informationen zum Einsenden des Gerätes an unseren Hauptsitz geben wird. Wenn vorhanden, legen Sie dem Gerät bitte eine Kopie des von CEMBRE mitgelieferten Zertifikates bei oder füllen das, unter dem Bereich "SUPPORT" der CEMBRE Website, verfügbare Formular aus und fügen es bei.

## 1. CARACTERÍSTICAS GENERALES

		B1350-UC	B1350-UCE	B1350-UCT	B1350-UCA
<b>Campo de aplicación:</b>		para la instalación de conectores eléctricos por compresión para conductores hasta 400 mm <sup>2</sup> (800 MCM) y para conductores de aluminio hasta 300 mm <sup>2</sup> (600 MCM)			
Fuerza nomin. de compresión	kN (US sh. ton)	132 (14.84)			
Fuerza mínima desarrollada	kN (US sh. ton)	125,2 (14.07)			
Presión mínima de trabajo	bar (psi)	692 (10037)			
Dimensiones (Ref. a Fig. 6)	mm (inches)	351x369x83 (13.8x14.5x3.3)			
Peso con batería	kg (lbs)	6,3 (13.8)			
Motor	V DC	18			
Temperatura de funcionamiento	°C (°F)	-15 a +50 (+5 a +122)			
Aceite recomendado		ENI ARNICA ISO 32 ó equivalentes			
Velocidad de avance		una rápida de aproximación de las matrices al conector y otra más lenta de compresión. El paso de una a otra velocidad es automático			
Seguridad		válvula de sobrepresión			
<b>Batería recargable</b>	V / Ah / Wh	18 / 5.2 / 93.6			
Tipo		CB1852L (Li-Ion)			
Peso	kg (lbs)	0,66 (1.45)			
<b>Cargador de batería</b>	tipo	ASC55-EU	ASC55-UK	ASC30-36-AUS/NZ	ASC30-36-USA/CA
ASC30-36					
Alimentación	V / Hz	220 - 240 / 50 - 60			115 / 60
	W	85			
<b>Ruido aéreo</b> <sup>(1)</sup>					
L <sub>pA</sub>	dB (A)	73			
L <sub>pCPeak</sub>	dB (C)	94.5			
L <sub>WA</sub>	dB (A)	79			
<b>Vibraciones</b> <sup>(2)</sup>	m/s <sup>2</sup>	0.575 max.			

<sup>(1)</sup> Directiva Europea 2006/42/CE, anexo 1, punto 1.7.4.2, letra u

L<sub>pA</sub> = nivel de presión acústica continua equivalente ponderado A en el puesto de trabajo.

L<sub>pCPeak</sub> = valor máximo de la presión acústica instantánea ponderada C en el puesto de trabajo.

L<sub>WA</sub> = nivel de potencia acústica emitida por la máquina.

<sup>(2)</sup> Directiva Europea 2006/42/CE, anexo 1, punto 2.2.1.1

Valor cuadrático medio ponderado en frecuencia, de la aceleración a la que están expuestos los miembros superiores para cada eje biodinámico de referencia. Medidas realizadas según las indicaciones de la Norma EN ISO 5349-1/2, en condiciones de utilización ampliamente representativas respecto a las que se encuentran normalmente.

## ADVERTENCIAS



*No utilice la herramienta para fines diferentes de los previstos por el fabricante. Prestar atención en el trabajo, no distraerse y no perder el equilibrio durante la utilización.*



*Antes de empezar trabajos sobre elementos eléctricos, cerciorarse de que no hay partes en tensión en las proximidades de la zona de trabajo; en caso contrario adoptar las precauciones necesarias para trabajar cerca de elementos en tensión en conformidad con la normativa EN50110 -1.*



*No usar esta herramienta sobre o cerca de conductores en tensión, sin sistemas de protección individual adecuada. La no observación de esta medida podría causar lesiones graves o mortales.*



*Ejecutado el número de operaciones máximo permitido por una batería, a la hora de cambiarla aconsejamos un oportuno período de pausa para permitir el enfriamiento de la herramienta.*



*Proteger la herramienta de la lluvia y la humedad. El agua podría dañar la herramienta y la batería. Las herramientas electrohidráulicas no deberían funcionar bajo la lluvia,*

## 2. INSTRUCCIONES DE USO



**IMPORTANTE:** *Para evitar dañar la herramienta, se recomienda no operar en vacío a presión máxima, sin matrices insertadas en el cabezal.*

La referencia identifica el conjunto formado por (Ref. a Fig. 7 pag. 57):

- ▶ Herramienta hidráulica de compresión.
- ▶ Adaptador superior AU130-C.
- ▶ Batería recargable Li-Ion (2 uds).
- ▶ Cargador de batería (diferente según el modelo de la herramienta).
- ▶ Correa de transporte.
- ▶ Caja de plástico.
- ▶ Cable USB (Ref. al § 8).

La herramienta se suministra con el adaptador superior **AU130-C** y sobre ella se pueden montar las distintas series de matrices con acoplamiento semicircular comunes para las herramientas CEMBRE de la serie 130 kN, para:

- ▶ Compresión hexagonal y circular sobre conductores de cobre, aldrey, aluminio o aluminio-acero.
- ▶ Punzonado sobre conductores de cobre.

En cambio, si se montan los adaptadores superiores tipo **AU130-150**, **AU130-240** e inferior tipo **AC130-P**, a la herramienta se le pueden acoplar:

- ▶ Pre-redondeadores **UP130-...** para obtener una forma redonda compacta partiendo de cables de aluminio con 3 o 4 sectores.
- ▶ Matrices de sujeción serie **MV**, **MVC**, **MVM**, **MUA** para realizar conexiones sobre cables de aluminio con la técnica del punzonado profundo en matriz cerrada.

## 2.1) Preparación



*Las operaciones de inserción o sustitución de las matrices deben ser efectuadas con la herramienta sin batería.*

La herramienta puede ser transportada fácilmente por medio del asa o la correa de transporte fijada al anillo (10) (Ref. a Fig. 1).



*Antes de iniciar cualquier trabajo, compruebe el estado de carga de las baterías (Ref. al § 2.8).*

*Si es necesario, recárguelas siguiendo las instrucciones del manual de uso del cargador.*

- ▶ Para sustituir la batería, retírela pulsando el desbloqueo (7) y luego inserte la nueva batería deslizando por las guías hasta su tope.
- ▶ La pantalla permite visualizar los parámetros de funcionamiento de la herramienta. Para su personalización, proceda como se describe en el § 2.7.
- ▶ Dependiendo de la conexión que se realizará, proceda como se describe en el § 4 o 5.

## 2.2) Aproximación de las matrices

- ▶ Apretando el botón (4) de accionamiento se pone en marcha el grupo motor-bomba y las matrices empiezan a acercarse al conector.
- ▶ Soltando el botón (4) se detienen inmediatamente tanto el motor como el movimiento de las matrices.



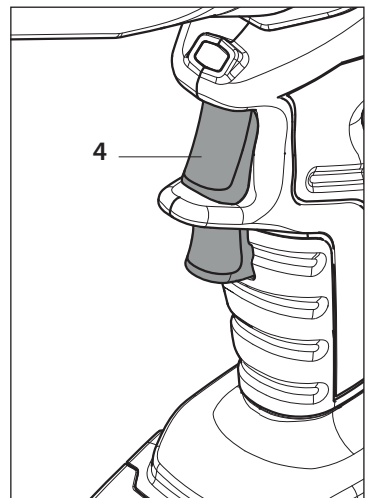
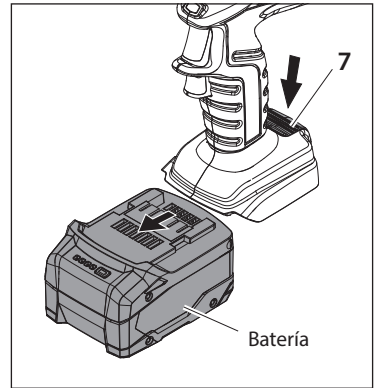
*Asegúrese de que las matrices se encuentran exactamente en correspondencia con la zona a comprimir; en caso contrario, vuélvala a abrir, siguiendo las instrucciones del punto 2.4 y vuelva a colocar el conector.*

## 2.3) Compresión

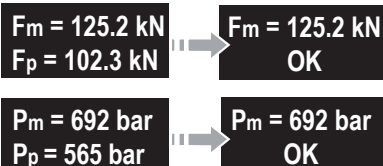
- ▶ Manteniendo apretado el botón (4) de accionamiento el motor continúa girando: el pistón avanzará progresivamente hasta llevar las matrices a chocarse entre ellas.
- ▶ La herramienta se detendrá automáticamente cuando llegue a la presión de ajuste.



*Para efectuar una compresión adecuada, mantenga presionado el botón de accionamiento (4) hasta el apagado automático del motor.*



**NOTA:** Para ver la fuerza o presión instantáneas durante el ciclo de trabajo, configure las pantallas correspondientes (Ref. a § 7). Soltando el botón de accionamiento antes del reinicio automático del motor, la pantalla mostrará los valores de fuerza pico (Fp) y la presión pico (Pp) alcanzados en ese momento.



Para completar el trabajo, presione el botón de accionamiento hasta la detención automática del motor; la pantalla mostrará la fuerza o la presión máxima alcanzada seguida de "OK" para confirmar la operación correcta.

**i** *El mensaje "ERROR" asociado a una señal acústica y el parpadeo de las luces, indica un procedimiento de compresión erróneo debido a una interrupción anticipada del ciclo del trabajo, antes de alcanzar los parámetros de regulación (fuerza/presión) de la herramienta.*



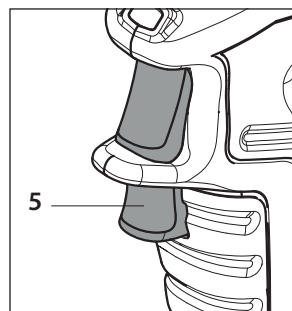
*Este error aparece cuando se presiona el botón de desbloqueo de presión (5) y la herramienta ya ha alcanzado una presión > 100 bar. En este caso, repita la compresión manteniendo pulsado el mando de accionamiento hasta la parada automática del motor.*

## 2.4) Desbloqueo de las matrices

Apretando a fondo el botón desbloqueo presión (5) se obtendrá el retorno del pistón con la consiguiente apertura de las matrices.

## 2.5) Led

Durante el accionamiento de la herramienta, la zona de compresión está iluminada por dos led de alta luminosidad que se apagan automáticamente al final del ciclo.



**i** *La iluminación de los led puede desactivarse mediante el procedimiento descrito en el § 7.2.*

## 2.6) Rotación de la cabeza

La cabeza de la herramienta puede rotar 180° respecto al cuerpo, permitiendo al operario realizar el trabajo en la posición más adecuada.

**!** *No fuerce la cabeza, intentando rotarla, mientras el circuito hidráulico esté presurizado.*

## 2.7) Tecla táctil capacitivo.

La tecla está ubicada debajo de la pantalla y permite seleccionar varias pantallas (Ref. al § 7). Sólo funciona con la pantalla encendida y basta con tocarla directamente con las manos; el uso de guantes u otros objetos podría inhibir el accionamiento.



**!** *No presione con fuerza la tecla táctil, basta con tocarla con el dedo. El pulso del comando es enviado al quitar el dedo.*



## 2.8) Autonomía de la batería

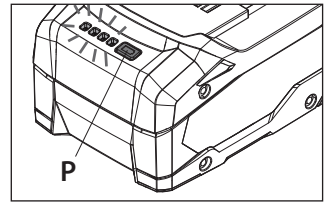
- ▶ La batería está provista de indicadores de led que permiten saber la autonomía restante en cualquier momento pulsando el botón (P):

4 led encendidos: autonomía máxima

2 led encendidos: autonomía al 50 %

1 led parpadeante: autonomía mínima, reemplazar la batería.

- ▶ Con la batería en la herramienta, también es posible verificar la autonomía restante en la pantalla, presionando la tecla táctil (Ref. al § 7).



max.



min.



*La pantalla de al lado indica que la batería está descargada, y que su tensión está por debajo de un punto mínimo de seguridad; en estas condiciones la herramienta no se inicia, proceda a la recarga o a la sustitución de la batería.*

*El tiempo aproximado para recargar completamente una batería descargada es de 100 min.*



*Después de cada ciclo de trabajo, así como después de la extracción de la batería de la herramienta, un dispositivo electrónico permite el apagado automático de la batería después de 70 s, aprox. y el LED más cercano del botón P parpadeará 5 veces consecutivas a intervalos de 14 s, aprox. La batería se reactivará con su reinserción en la herramienta y pulsando el botón de accionamiento.*

## 2.9) Utilización del cargador de batería

Seguir atentamente las instrucciones detalladas en el manual correspondiente.

## 3. MANTENIMIENTO

Esta herramienta es robusta, completamente precintada y no requiere cuidados especiales. Para obtener un funcionamiento correcto, bastará tener algunas precauciones sencillas:

### 3.1) Limpieza adecuada

Tenga presente que el polvo, la arena y la suciedad en general, representan un peligro para toda herramienta hidráulica. Tras cada día de uso, se debe limpiar la herramienta con un trapo limpio, teniendo cuidado de eliminar la suciedad depositada, especialmente junto a las partes móviles. No use hidrocarburos para la limpieza de las partes de caucho.

### 3.2) Almacenamiento (Ref. a Fig. 7)

Para proteger la herramienta de golpes accidentales y del polvo cuando no se va a utilizar, es conveniente guardarla cerrada en su caja de plástico de cierre hermético.

Dicho estuche tipo VAL-P39 de dimensiones 520x432x126 mm (20.5x17.0x5.0 pulgadas) y peso 2,6 kg (5.7 lbs), es apropiado para almacenar la herramienta, los accesorios, y además hasta 8 juegos entre matrices y pre-redondeadores.

Está disponible la caja metálica tipo VAL-130 dimensiones 360x280x48 mm (14.17x11x1.89 in.), peso 3 kg (6.62 lbs), para almacenar los accesorios para la compresión de los conectores de aluminio.

## 4. EMPLEO SOBRE CONECTORES PARA CABLES DE ALUMINIO CON LA TÉCNICA DEL PUNZONADO PROFUNDO EN MATRIZ CERRADA (véase Fig. 2 y 3)

### 4.1) Pre-redondeado del cable (en el caso de cables sectoriales) (Ref. a Fig. 3a)

- ▶ Elegir el adaptador superior AU130-150 o AU130-240 y el pre-redondeador UP... sobre la base de la sección del cable para obtener una forma redonda (véase la tabla de la página 6).
- ▶ Montar en la cabeza (véase § 6.1).
- ▶ Montar en el pistón el adaptador inferior AC130-P (91) (véase § 6.2).
- ▶ Insertar la parte móvil (94) del pre-redondeador en el alojamiento del adaptador AC130-P tirando del pestillo (92) hacia el exterior.
- ▶ Insertar el cable dentro la parte fija (95) del pre-redondeador y colocar esta última en el adaptador AU130-150 ó AU130-240.



*Asegúrese de que coincida la ranura superior que está sobre el pre-redondeador con las espigas situadas dentro del adaptador.*

- ▶ Accionar la herramienta hasta que la parte fija y la parte móvil del pre-redondeador choquen la una con la otra. Liberar entonces el cable, que habrá quedado reducido a una forma redonda compacta soltando la presión de la herramienta (véase § 2.4).

### 4.2) Realización de las conexiones (Ref. a Fig. 3b)

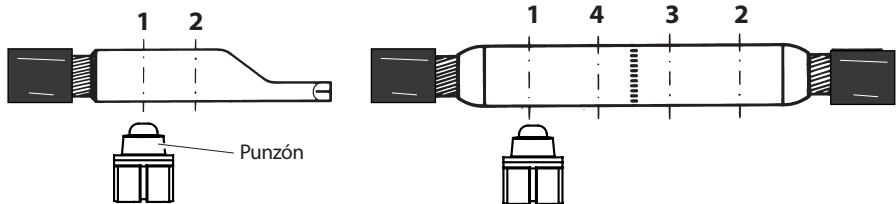
- ▶ Elegir el adaptador superior AU130... la matriz de sujeción MV, y el punzón PS... que se quiere utilizar, sobre la base de las indicaciones de la tabla de la página 6.
- ▶ Montar en la cabeza el adaptador superior AU130-150 ó AU130-240 (véase § 6.1).
- ▶ Colocar el punzón PS130...-/E en el alojamiento del pistón (14) (véase § 6.2).
- ▶ Introduzca el conductor en el conector.
- ▶ Insertar el conector en la matriz de sujeción MV... (96) y colocar esta última en el adaptador superior AU130-150 ó AU130-240.



*Asegúrese de que coincida la ranura superior que está sobre la matriz con las espigas situadas dentro del adaptador.*

- ▶ Accionar la herramienta para empezar a comprimir el conector, partiendo en el caso de manguitos de la extremidad hacia el interior y en el caso de terminales de la extremidad hacia la pala o la punta (véase figura).

#### SECUENCIA DE LAS COMPRESIONES



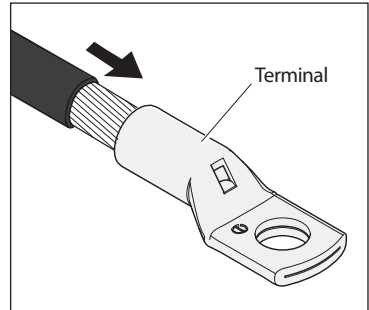
- ▶ El final de la operación de compresión se alcanzará cuando el punzón y la matriz se choquen el uno con el otro: aconsejamos, en todo caso, bombear hasta el apagado automático del motor (véase § 2.3), después apretar el botón (5) para la retirada del punzón.
- ▶ Repita el procedimiento moviendo de vez en cuando la matriz dentro del adaptador de manera que coincidan las ranuras superiores de la matriz con las espigas situadas en el adaptador.

## 5. EMPLEO SOBRE CONECTORES POR MEDIO DE COMPRESIÓN HEXAGONAL Y CIRCULAR

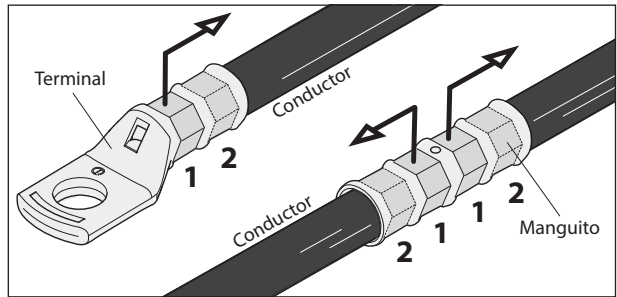
(véase Fig. 4 y 5)

### 5.1) Realización de las conexiones

- ▶ Montar el adaptador superior AU130-C (véase §.6.1).  
Seleccione la matriz adecuada para la conexión a efectuar.
- ▶ Inserte las matrices en el hueco-guía de la cabeza (véase § 6.3).
- ▶ Introduzca el conductor en el conector.
- ▶ Coloque este último entre las dos matrices, alineando la zona a comprimir con la marca de las matrices.
- ▶ Actuar sucesivamente como se indica en el punto 2.2.



**NOTA:** Para la compresión de terminales o manguitos, cuando se solicite más de una compresión, proceda de acuerdo con la secuencia y en la dirección indicada en la figura, espaciar uniformemente las compresiones.



## 6. MONTAJE/DESMONTAJE DE LOS ACCESORIOS

### 6.1) Montaje adaptadores superiores (Ref. a Fig. 3 y 5)

- ▶ Introducir el adaptador en las guías de la horquilla (10) y empujarlo hasta bloquearlo en la posición de funcionamiento que corresponde al acoplamiento de las ranuras a los lados del adaptador con las bolas (06) situadas en los brazos de la horquilla.
- ▶ Para quitarlo, habrá que empujarlo con fuerza hasta vencer la retención de las bolas y entonces sacarlo de las guías.

### 6.2) Adaptador inferior y punzones (Ref. a Fig. 3)

- ▶ El Adaptador AC130-P o punzones PS 130 .. /E deben ser colocados en las guías del pistón (14); mantenga presionado el pistoncillo (04) hasta su bloqueo con el pistoncillo (02).  
Es aconsejable avanzar de 15-20 mm (0.6 - 0.8 in.) el pistón (14) para facilitar la operación.
- ▶ Para quitarlo, mantenga presionado el pistoncillo (04) y sacarlo de las guías del pistón (14).

### 6.3) Matrices con acoplamiento semicircular (Ref. a Fig. 5)

- ▶ Inserte la matriz superior (88) en el adaptador AU130-C; mantenga presionado el pistoncillo (08), hasta su bloqueo con el pistoncillo (07).
- ▶ Para quitarla, mantenga presionado el pistoncillo (08).
- ▶ Inserte la matriz inferior (89) en la guía del pistón (14); mantenga presionado el pistoncillo (04), hasta su bloqueo con el pistoncillo (02).  
Es aconsejable avanzar de 15-20 mm (0.6-0.8 in.) el pistón (14) para facilitar la operación.
- ▶ Para quitarla, mantenga presionado el pistoncillo (04) y sacarla de las guías del pistón.

## 7. PANTALLA

La pantalla con tecnología OLED se activa con el accionamiento de la herramienta y se desactiva automáticamente después de aproximadamente 60 segundos sin utilizar la herramienta. La pantalla permite visualizar:

- ▶ Los principales parámetros de funcionamiento de la herramienta desarrollados por la tarjeta electrónica, como la presión o la fuerza desarrollada.
- ▶ Información sobre el estado de la herramienta, como el nivel de carga, la temperatura de la batería y la necesidad de mantenimiento.
- ▶ Eventuales errores de procedimiento o de funcionamiento.

Es posible navegar por el menú con la tecla táctil (8) y gestionar las PANTALLAS DE INFORMACIÓN Y SELECCIÓN:

**7.1) PANTALLAS DE INFORMACIÓN:** permiten visualizar en la pantalla un parámetro determinado que luego aparecerá cada vez que inicie la herramienta y durante todo el ciclo de trabajo.

**F<sub>m</sub> = 125.2 kN**  
**F<sub>p</sub> = 94.5 kN**

F<sub>m</sub>: Fuerza mínima de ajuste, expresada en kN.  
F<sub>p</sub>: Fuerza instantánea alcanzada, expresada en kN  
(Se muestra en la pantalla como ajuste predeterminado de fábrica).



**F<sub>m</sub> = 14.07 ton**  
**F<sub>p</sub> = 10.61 ton**

F<sub>m</sub>: Fuerza mínima de ajuste, expresada en toneladas cortas (USA).  
F<sub>p</sub>: Fuerza instantánea alcanzada, expresada en toneladas cortas (USA).



**P<sub>m</sub> = 692 bar**  
**P<sub>p</sub> = 522.3 bar**

P<sub>m</sub>: Presión mínima de ajuste, expresada en bar.  
P<sub>p</sub>: Presión instantánea alcanzada, expresada en bar.



**P<sub>m</sub> = 10037 psi**  
**P<sub>p</sub> = 7575 psi**

P<sub>m</sub>: presión mínima de ajuste, expresada en psi.  
P<sub>p</sub>: presión instantánea alcanzada, expresada en psi.



El nivel de carga de la batería.



**1000**  
**-12000**

N ° de ciclos efectuados.  
Número de ciclos que faltan para el mantenimiento ordinario.



**B1350**  
**13AB485**

Logo CEMBRE, modelo de la herramienta.  
número de serie de la herramienta.



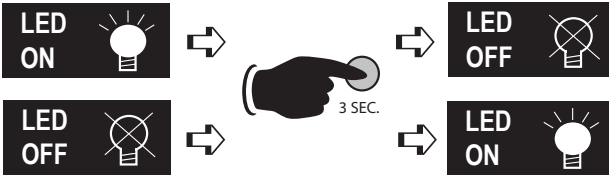
Una vez visualizada la pantalla, para hacerla operativa y fija en cada inicio de la herramienta, toque prolongadamente la tecla táctil (al menos 3 segundos); una señal acústica continua confirmará el ajuste.



*La tecla táctil puede no funcionar cuando se toca con objetos o con guantes. Siempre se debe usar con las manos descubiertas.*

**7.2) PANTALLAS DE INFORMACIÓN:** permiten visualizar en la pantalla un parámetro determinado que luego aparecerá cada vez que inicie la herramienta y durante todo el ciclo de trabajo.

**Activación/desactivación de los led** (ajuste predeterminado de fábrica LED ON)



Una vez visualizada la pantalla, para desactivar o reactivar el funcionamiento de los led durante el uso de la herramienta, presione prolongadamente (al menos 3 segundos) la tecla táctil, una señal acústica confirmará el ajuste.

### Volver a los ajustes de fábrica iniciales/Versión Firmware

Una vez visualizada la pantalla "RESET", para volver a los ajustes iniciales de fábrica, toque prolongadamente (al menos 3 segundos) la tecla táctil; una señal acústica confirmará el ajuste.



La pantalla RESET muestra también la versión del firmware de la tarjeta electrónica.

**7.3) ADVERTENCIAS:** aparecen durante el funcionamiento e informan al operario sobre el estado de la herramienta:



**BATERÍA DESCARGADA:** proceda a la sustitución.

NOTA: Cuando la tensión de la batería está por debajo del mínimo de seguridad, la herramienta no se inicia. Sin embargo, es posible terminar el trabajo en curso.









**ALTA TEMPERATURA DE LA BATERÍA:** Retire la batería y espere a que se enfríe.




**ALCANCE DEL N° DE CICLOS PREVISTOS PARA MANTENIMIENTO ORDINARIO:** la herramienta continua su funcionamiento. Se recomienda enviarla a CEMBRE para una revisión más completa (Ref. al § 8).

NOTA: este mensaje, junto con una señal acústica, volverá a aparecer después de 30 segundos de no utilización de la herramienta.

**7.4 ERRORES:** aparecen durante el funcionamiento, asociados a una señal acústica y al parpadeo de los led, informan al operario sobre posibles errores de procedimiento o de funcionamiento.

Mensaje	Descripción del error	Solución
	Activación del botón desbloqueo presión (5) antes de alcanzar los parámetros de regulación ( fuerza/presión).	Repita el ciclo de trabajo esperando la interrupción automática del motor.
	Interrupción de la señal de la sonda de temperatura NTC de la batería.	Sustituir la batería. Si el problema persiste, ponerse en contacto con CEMBRE.
	Absorción anómala de corriente del motor durante más de 3 segundos. La herramienta se detiene.	Espere a que la pantalla se apague (60 segundos) o extraiga y reinserte la batería. Después, reinicie la herramienta. Si el error se presenta frecuentemente, contacte con CEMBRE.
	Tensión en salida del transmisor de presión no incluida en el intervalo establecido.	Repita el ciclo de trabajo. Si el error se presenta frecuentemente, contacte con CEMBRE.
	No alcance de la presión de ajuste dentro de los 30 segundos desde la activación continua de la herramienta.	Repita el ciclo de trabajo. Si el error se presenta frecuentemente, contacte con CEMBRE.
	Sobrecarga de la batería con intervención de la protección. La herramienta se detiene.	Espere a que la pantalla se apague (60 segundos) o extraiga y reinserte la batería. Después, reinicie la herramienta. Si el error se presenta frecuentemente, contacte con CEMBRE.

 *Los errores de error se visualizan en la pantalla durante 30 segundos aproximadamente, por lo tanto, el error se restablece. Se presentan en caso de anomalía permanente.*

## 8. CONEXIÓN AL ORDENADOR (Smartool technology)

La tarjeta de memoria de la herramienta permite grabar los parámetros de funcionamiento y mediante el cable USB suministrado, pasarlos a un ordenador. Para visualizar y gestionar los datos en la tarjeta es necesario utilizar el software CEMBRE CEM\_SWBT01, que se encuentra de forma gratuita en la área reservada de la página web [www.cembre.com](http://www.cembre.com). después la inscripción. En la misma área se pueden encontrar también las actualizaciones del firmware de la tarjet electrónica, para garantizar el mejor rendimiento de la herramienta a obteniendo la máxima eficiencia.

## 9. DEVOLUCION A CEMBRE PARA REVISIONES

En caso de fallo de la herramienta, contactar con nuestro Agente de Zona quien les aconsejará y eventualmente les facilitará las instrucciones necesarias para remitir la herramienta a nuestro centro de servicio más cercano. En tal caso, adjuntar a ser posible una copia del Certificado de Ensayo entregado en su día por CEMBRE con la herramienta o completar y adjuntar el formulario disponible en la sección "ASISTENCIA" del sitio web CEMBRE.

## 1. CARATTERISTICHE GENERALI

		B1350-UC	B1350-UCE	B1350-UCT	B1350-UCA
<b>Campo di applicazione</b>		adatto all'installazione di connettori elettrici a compressione per conduttori in genere fino a 400 mm <sup>2</sup> (800 MCM) e per cavi in alluminio fino a 300 mm <sup>2</sup> (600 MCM)			
Forza nom. di compressione	kN (US sh. ton)	132 (14.84)			
Forza min. di compressione	kN (US sh. ton)	125,2 (14.07)			
Pressione min. di esercizio	bar (psi)	692 (10037)			
Dimensioni (Rif. a Fig. 6)	mm (inches)	351x369x83 (13.8x14.5x3.3)			
Peso con batteria	kg (lbs)	6,3 (13.8)			
Motore	V DC	18			
Temperatura di utilizzo	°C (°F)	-15 a +50 (+5 a +122)			
Olio consigliato		ENI ARNICA ISO 32 o equivalenti			
Velocità di avanzamento		una rapida di avvicinamento delle matrici al connettore ed una più lenta di compressione. La commutazione da una all'altra é automatica			
Sicurezza		valvola di massima pressione			
<b>Batteria ricaricabile</b>	V / Ah / Wh	18 / 5.2 / 93.6			
Tipo		CB1852L (Li-Ion)			
Peso	kg (lbs)	0,66 (1.45)			
<b>Caricabatteria ASC30-36</b>	tipo	ASC55-EU	ASC55-UK	ASC30-36-AUS/NZ	ASC30-36-USA/CA
Alimentazione	V / Hz	220 - 240 / 50 - 60			115 / 60
	W	85			
<b>Rumore aereo <sup>(1)</sup></b>					
L <sub>pA</sub>	dB (A)	73			
L <sub>pCPeak</sub>	dB (C)	94.5			
L <sub>WA</sub>	dB (A)	79			
<b>Vibrazioni <sup>(2)</sup></b>	m/s <sup>2</sup>	0.575 max.			

<sup>(1)</sup> Direttiva Europea 2006/42/CE, allegato 1, punto 1.7.4.2, lettera u

L<sub>pA</sub> = livello di pressione acustica continuo equivalente ponderato A nel posto di lavoro.

L<sub>pCPeak</sub> = valore massimo della pressione acustica istantanea ponderata C nel posto di lavoro.

L<sub>WA</sub> = livello di potenza acustica emessa dalla macchina.

<sup>(2)</sup> Direttiva Europea 2006/42/CE, allegato 1, punto 2.2.1.1

Valore quadratico medio ponderato, in frequenza, dell'accelerazione cui sono esposte le membra superiori, per ciascuno degli assi biodinamici di riferimento derivante da rilievi condotti secondo le indicazioni delle Norme EN ISO 5349-1/2, in condizioni di utilizzo ampiamente rappresentative rispetto a quelle normalmente riscontrabili.

## AVVERTENZE



*Non impiegare l'utensile per scopi diversi da quelli previsti dal costruttore. Prestare attenzione al lavoro, non distrarsi e non sbilanciarsi durante l'utilizzo.*



*Prima di iniziare lavori su equipaggiamenti elettrici, assicurarsi che non vi siano parti in tensione nelle immediate vicinanze della zona di lavoro; in caso contrario adottare le precauzioni necessarie per operare vicino a parti in tensione in conformità alla norma EN50110-1.*



*Non usare questo utensile su o vicino a conduttori in tensione, senza sistemi di protezione individuale adeguati. L'inosservanza di questa precauzione potrebbe causare lesioni gravi o mortali.*



*L'utensile non è adatto ad un utilizzo continuo; dopo aver eseguito il numero di operazioni consecutive consentite da una batteria completamente carica, in occasione del cambio batteria consigliamo un opportuno periodo di pausa per permettere il raffreddamento dell'utensile.*



*Proteggere l'utensile dalla pioggia e dall'umidità, l'acqua potrebbe danneggiare l'utensile e la batteria. Gli utensili elettro-oleodinamici non dovrebbero essere usati sotto la pioggia.*

## 2. ISTRUZIONI PER L'USO



**IMPORTANTE:** *Mai mettere in pressione l'utensile senza le matrici inserite, ciò potrebbe causare il danneggiamento delle sedi della testa e del pistone.*

La fornitura comprende (Rif. a Fig. 7 pag. 57):

- ▶ Utensile oleodinamico da compressione.
- ▶ Adattatore superiore tipo AU130-C.
- ▶ Batteria ricaricabile Li-Ion (2 pz).
- ▶ Caricabatterie (differente in base alla versione dell'utensile).
- ▶ Tracolla.
- ▶ Valigetta di contenimento.
- ▶ Cavo USB (Rif. al § 8).

L'utensile è completo di adattatore superiore **AU130-C** per ricevere le diverse serie di matrici ad innesto semicircolare, comuni agli utensili CEMBRE della serie 130 kN, per:

- ▶ Compressione circolare o esagonale su conduttori in rame, aldrey, alluminio o alluminio-acciaio.
- ▶ Punzonatura su conduttori in rame.

Montando invece gli adattatori superiori tipo **AU130-150**, **AU130-240** ed inferiore tipo **AC130-P**, fornibili separatamente, l'utensile può ricevere:

- ▶ Prearrotondatori **UP130-...** per ottenere cavi di forma rotonda compatta partendo da cavi in alluminio a 3 o 4 settori.
- ▶ Matrici di contenimento serie **MV, MVC, MVM, MUA** per realizzare connessioni su cavi in alluminio con la tecnica della punzonatura profonda in matrice chiusa.



## 2.1) Preparazione

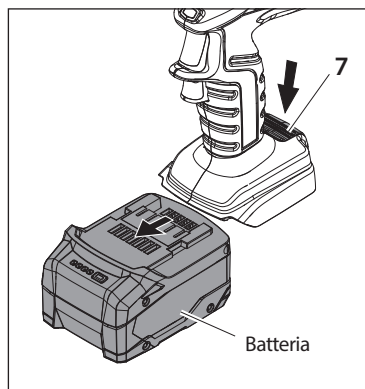


*Le operazioni di inserimento o di sostituzione delle matrici devono essere effettuate con l'utensile privo di batteria.*

L'utensile può essere trasportato agevolmente tramite l'impugnatura o la tracolla fissata all'anello (10) (Rif. a Fig. 1).



*Prima di iniziare qualsiasi lavoro, verificare lo stato di carica delle batterie (Rif. al § 2.8) se necessario ricaricarle seguendo le istruzioni riportate nel manuale d'uso del caricabatterie.*



- ▶ Per sostituire la batteria sfilarla premendo lo sblocco (7), quindi inserire la nuova facendola scorrere nelle guide, fino al suo blocco.
- ▶ Il display permette di visualizzare i parametri operativi dell'utensile, per la sua personalizzazione procedere come descritto al § 2.7.
- ▶ A seconda della connessione da effettuare, operare come descritto ai § 4 oppure 5.

## 2.2) Accostamento delle matrici

- ▶ Premere il pulsante di azionamento (4) per avviare il gruppo motore-pompa, inizierà l'avvicinamento delle matrici al connettore.
- ▶ Per ottenere l'immediato arresto sia del motore che del movimento delle matrici rilasciare il pulsante di azionamento.



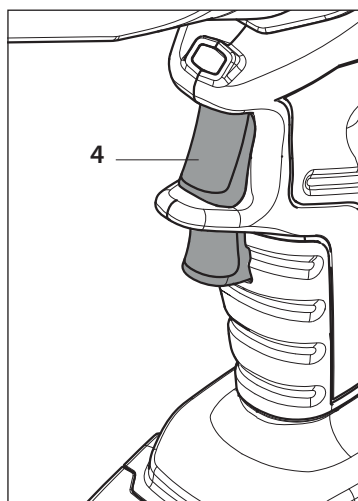
*Assicurarsi che le matrici si trovino esattamente in corrispondenza con la zona da comprimere; in caso contrario riaprirle seguendo le istruzioni al § 2.4 e riposizionare il connettore.*

## 2.3) Compressione

- ▶ Mantenendo premuto il pulsante di azionamento (4) il pistone avanzerà progressivamente fino a portare le matrici in battuta tra loro.
- ▶ L'utensile si arresterà automaticamente al raggiungimento della pressione di taratura.



*Per effettuare una corretta compressione mantenere premuto il pulsante di azionamento (4) fino allo spegnimento automatico del motore.*



**NOTA:** Per visualizzare la forza o la pressione istantanee durante il ciclo di lavoro impostare le relative schermate (rif. al § 7). Rilasciando il pulsante di azionamento prima dell'arresto automatico del motore, il display mostrerà i valori di forza di picco (Fp) o di pressione di picco (Pp) raggiunti in quel momento.

$F_m = 125.2 \text{ kN}$   
 $F_p = 102.3 \text{ kN}$

$F_m = 125.2 \text{ kN}$   
OK

$P_m = 692 \text{ bar}$   
 $P_p = 565 \text{ bar}$

$P_m = 692 \text{ bar}$   
OK

Per completare il lavoro, premere nuovamente il pulsante di azionamento fino all'arresto automatico del motore; il display mostrerà la forza o la pressione massima raggiunti seguiti dalla scritta "OK" a conferma della corretta operazione.



*Il messaggio "ERROR" associato a segnale acustico e lampeggiamento dei led, indica una procedura di compressione errata dovuta ad un'interruzione anticipata del ciclo di lavoro prima del raggiungimento dei parametri di regolazione (forza/pressione) dell'utensile. Questo errore compare quando viene premuto il pulsante di sblocco pressione e l'utensile ha già raggiunto una pressione > 100 bar. In tal caso ripetere la compressione tenendo premuto il pulsante di azionamento fino allo spegnimento automatico del motore.*

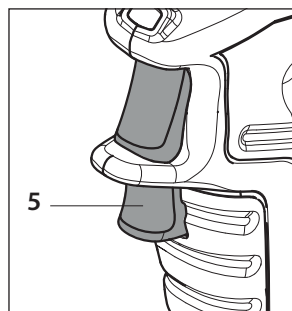
ERROR

## 2.4) Sblocco delle matrici

Premendo il pulsante di sblocco pressione (5) si otterrà il ritorno del pistone con conseguente apertura delle matrici.

## 2.5) Led

Durante l'azionamento dell'utensile, la zona di compressione è illuminata da due led ad alta luminosità che si spengono automaticamente a fine ciclo.



*L'accensione dei LED può essere disattivata seguendo la procedura descritta al § 7.2.*

## 2.6) Rotazione della testa

La testa dell'utensile può ruotare di 180° rispetto al corpo, permettendo così all'operatore di eseguire il lavoro nella posizione più agevole.



*Non ruotare la testa forzandola quando l'utensile è in pressione.*

## 2.7) Tasto capacitivo a sfioramento

Il tasto è posto sotto il display e permette di selezionare le varie schermate (Rif. al § 7); funziona solamente a display acceso ed è sufficiente sfiorarlo a mani nude, l'utilizzo di guanti o altri oggetti potrebbe inibirne l'azionamento.



*Mai premere con forza sul tasto a sfioramento; è sufficiente sfiorarlo con un dito, a mani nude. L'impulso del comando verrà inviato al rilascio del dito.*

## 2.8) Autonomia della batteria

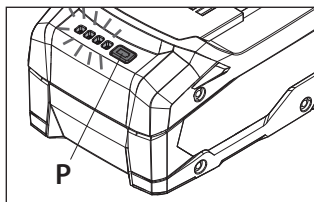
- La batteria è provvista di indicatori a led che consentono di conoscerne l'autonomia residua in qualsiasi momento, premendo il pulsante (P):

4 led accesi: massima autonomia

2 led accesi: autonomia al 50 %

1 led lampeggiante: minima autonomia, sostituire la batteria

- Con batteria inserita nell'utensile è possibile verificare l'autonomia residua anche dal display, agendo sul pulsante a sfioramento (Rif. al § 7).



**i** La schermata a fianco indica che la batteria è scarica e che la sua tensione è scesa sotto una soglia minima di sicurezza; in queste condizioni l'utensile non si avvia, procedere quindi alla ricarica o sostituire la batteria.



*Indicativamente il tempo per ricaricare completamente una batteria scarica è di circa 100 min.*

**i** Dopo ogni ciclo di lavoro, così come dopo l'estrazione della batteria dal suo alloggiamento nell'utensile, un dispositivo elettronico provvede all'autospegnimento della batteria dopo 70 s (circa). A conferma di tale attività il LED più vicino al pulsante (P) lampeggerà 5 volte a distanza di 14 s (circa). La batteria si riattiverà con il suo reinserimento nell'utensile e alla pressione del pulsante di azionamento.

## 2.9) Utilizzo del caricabatterie

Seguire attentamente le istruzioni dettagliate sul relativo manuale d'uso.

## 3. MANUTENZIONE

L'utensile è robusto, completamente sigillato e non richiede attenzioni particolari per ottenere un corretto funzionamento basterà osservare alcune semplici precauzioni:

### 3.1) Accurata pulizia

Tenere presente che la polvere, la sabbia e lo sporco rappresentano un pericolo per ogni apparecchiatura oleodinamica. Dopo ogni giorno d'uso si deve ripulire l'utensile con uno straccio pulito, avendo cura di eliminare lo sporco depositatosi su di esso, specialmente vicino alle parti mobili. Non usare idrocarburi per la pulizia delle parti in gomma.

### 3.2) Custodia (Rif. Fig. 7)

Per proteggere l'utensile da urti accidentali e dalla polvere, è bene custodirlo nell'apposita valigetta in materiale plastico accuratamente chiusa. La valigetta (tipo VAL-P39) è adatta al contenimento dell'utensile, degli accessori e fino a 8 coppie tra matrici e prearrotondatori; ha dimensioni 520x432x126 mm (20.5x17.0x5.0 inches) e pesa 2,6 kg (5.7 lbs.).

E' disponibile a richiesta la cassetta metallica tipo VAL-130 dimensioni 360x280x48 mm (14.17x11x1.89 in.), peso 3 kg (6.62 lbs) adatta al contenimento degli accessori per la compressione dei connettori in alluminio.

## 4. IMPIEGO SU CONNETTORI PER CAVI IN ALLUMINIO MEDIANTE COMPRESSIONE CON TECNICA DELLA PUNZONATURA PROFONDA IN MATRICE CHIUSA (Rif. a Fig. 2 e 3)

### 4.1) Prearrotondamento del cavo (nel caso di cavi settoriali) (Rif. a Fig. 3a)

- ▶ Scegliere l'adattatore superiore AU130-150 o AU130-240 e il prearrotondatore UP... corrispondente alla sezione del cavo da prearrotondare (vedi tabella a pag. 6).
- ▶ Montare nella testa l'adattatore superiore (vedi § 6.1).
- ▶ Montare nelle guide del pistone l'adattatore inferiore AC130-P (vedi § 6.2).
- ▶ Inserire la parte mobile (94) del prearrotondatore nell'adattatore AC130-P tirando verso l'esterno il nottolino di sblocco (92).
- ▶ Posizionare il cavo all'interno della parte fissa (95) del prearrotondatore appoggiando poi quest'ultima all'interno dell'adattatore AU130-150 o AU130-240.



*Assicurarsi che la scanalatura superiore presente sul prearrotondatore coincida con i piolini all'interno dell'adattatore stesso.*

- ▶ Azionare l'utensile (vedi § 2.2) sino a portare in battuta parte fissa e mobile del prearrotondatore indi rilasciare la pressione nell'utensile (vedi § 2.4) per liberare il cavo ridotto ad una forma rotonda compatta.

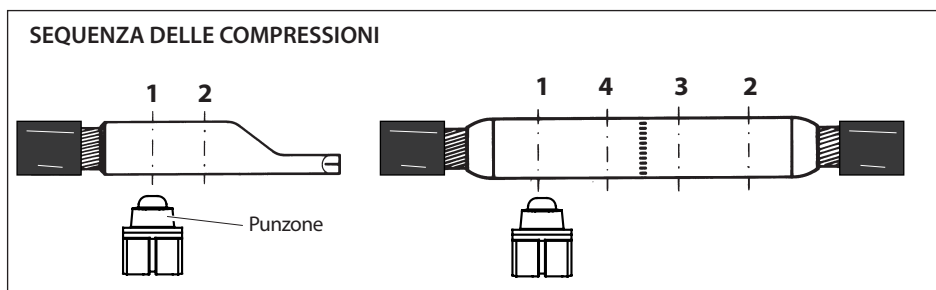
### 4.2) Esecuzione delle compressioni (Rif. a Fig. 3b)

- ▶ In funzione al connettore da comprimere, scegliere l'adattatore superiore AU130...., la matrice di contenimento MV.. e il punzone PS.. da usare, seguendo la tabella a pag. 6.
- ▶ Montare nella testa l'adattatore superiore AU130-150 o AU130-240 (vedi § 6.1).
- ▶ Inserire il punzone PS130-.../E nelle guide del pistone (14) (vedi § 6.2).
- ▶ Introdurre a fondo il cavo nel connettore.
- ▶ Inserire il connettore nella matrice MV... (96) posizionando poi quest'ultima nell'adattatore AU130-150 o AU130-240.



*Assicurarsi che le scanalature superiori presenti sulla matrice coincidano con i piolini all'interno dell'adattatore stesso.*

- ▶ Azionare l'utensile (vedi § .2.2) per comprimere il connettore partendo per i giunti dall'estremità verso l'interno e per i capicorda dall'estremità verso l'occhiello o codolo (vedi figura).



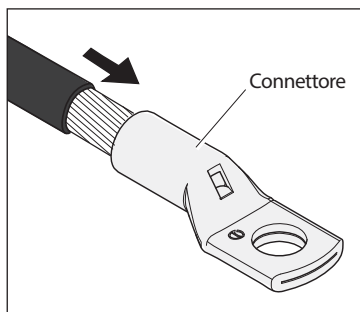
- ▶ Il completamento della compressione é dato dalla battuta del punzone contro la matrice: si consiglia comunque di operare fino allo spegnimento automatico del motore (vedi § 2.3) quindi premere il pulsante di rilascio (5) per l'arretramento del punzone.
- ▶ Ripetere la procedura spostando di volta in volta la matrice all'interno dell'adattatore facendo coincidere le scanalature superiori presenti sulla matrice con i piolini all'interno dell'adattatore.

## 5. IMPIEGO SU CONNETTORI MEDIANTE COMPRESIONE CIRCOLARE O ESAGONALE

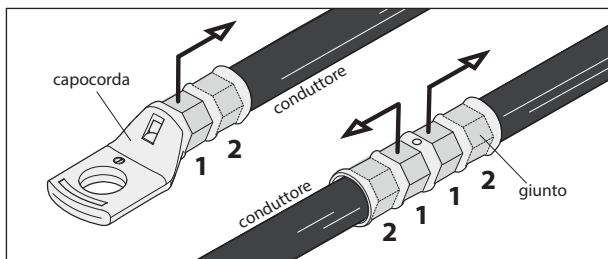
(Rif. a Fig. 4 e 5)

### 5.1) Esecuzione delle compressioni

- ▶ Montare l'adattatore superiore AU130-C (vedi § 6.1).
- ▶ In funzione al connettore da comprimere, scegliere le matrici da usare consultando il relativo catalogo.
- ▶ Inserire le matrici nelle rispettive sedi (vedi § 6.3).
- ▶ Introdurre il conduttore nel connettore.
- ▶ Posizionare quest'ultimo fra le due matrici allineando la zona da comprimere con l'impronta delle matrici stesse.
- ▶ Operare come indicato al § 2.2.



**NOTA:** per la compressione di capi-corda o giunti, ove fosse richiesta più di una compressione, procedere secondo la sequenza e nella direzione indicata in figura, distanziando uniformemente le varie compressioni.



## 6. MONTAGGIO/SMONTAGGIO DEGLI ACCESSORI

### 6.1) Adattatori superiori (Rif. a Fig. 3 e 5)

- ▶ Inserire l'adattatore nelle apposite guide della forcella (10) e spingerlo fino a bloccarlo nella posizione di funzionamento data dall'accoppiamento delle scanalature sui fianchi dell'adattatore stesso con i grani a sfera (06) disposti sui fianchi della forcella.
- ▶ Per toglierlo si dovrà spingerlo con forza sino a vincere l'azione di ritenuta dei grani e sfilarlo così dalle guide.

### 6.2) Adattatore inferiore e punzoni (Rif. a Fig. 3)

- ▶ L'adattatore AC130-P o il punzone PS130../E vanno inseriti nelle guide del pistone (14) premendo il pistoncino di sblocco (04), farli scorrere fino a che rimangano bloccati dal pistoncino (02). Si consiglia di far avanzare di 15÷20 mm il pistone (14) per facilitare l'operazione.
- ▶ Per sfilari, premere il pistoncino di sblocco (04).

### 6.3) Matrici ad innesto semicircolare (Rif. a Fig. 5)

- ▶ Inserire la matrice superiore (88) nell'adattatore AU130-C premendo il pistoncino (08) e farla scorrere fino a che rimanga bloccata dal pistoncino (07).
- ▶ Per sfilare la matrice premere il pistoncino (08).
- ▶ Inserire la matrice inferiore (89) nelle guide del pistone (14) premendo il pistoncino (04) e farla scorrere fino a che rimanga bloccata dal pistoncino (02). Si consiglia di far avanzare di 15÷20 mm il pistone (14) per facilitare l'operazione.
- ▶ Per sfilare la matrice premere il pistoncino (04).

## 7. DISPLAY

Il display a tecnologia OLED si attiva con l'azionamento dell'utensile e si disattiva automaticamente dopo circa 60 sec. di inutilizzo dell'utensile.

Il display permette di visualizzare:

- ▶ I parametri operativi principali di funzionamento dell'utensile elaborati dalla scheda elettronica, quali pressione o forza sviluppata.
- ▶ Informazioni sullo stato dell'utensile quali livello di carica, temperatura della batteria e necessità di manutenzione.
- ▶ Eventuali ERRORI di funzionamento o procedurali.

E' possibile navigare nel menu attraverso il tasto a sfioramento (8) e gestire le SCHERMATE DI INFORMAZIONE E DI SELEZIONE:

**7.1) SCHERMATE DI INFORMAZIONE:** permettono di visualizzare sul display un determinato parametro che poi comparirà ad ogni avvio dell'utensile e durante tutto il ciclo di lavoro.

**F<sub>m</sub> = 125.2 kN**  
**F<sub>p</sub> = 94.5 kN**

F<sub>m</sub>: Forza minima garantita, espressa in kN.  
F<sub>p</sub>: Forza istantanea sviluppata, espressa in kN  
(schermata come da impostazione standard di fabbrica).



**F<sub>m</sub> = 14.07 ton**  
**F<sub>p</sub> = 10.61 ton**

F<sub>m</sub>: Forza minima garantita, espressa in tonnellate corte (USA).  
F<sub>p</sub>: Forza istantanea sviluppata, espressa in tonnellate corte (USA).



**P<sub>m</sub> = 692 bar**  
**P<sub>p</sub> = 522.3 bar**

P<sub>m</sub>: Pressione minima garantita, espressa in bar.  
P<sub>p</sub>: Pressione istantanea sviluppata, espressa in bar.



**P<sub>m</sub> = 10037 psi**  
**P<sub>p</sub> = 7575 psi**

P<sub>m</sub>: Pressione minima garantita, espressa in psi.  
P<sub>p</sub>: Pressione istantanea sviluppata, espressa in psi.



livello di carica della batteria.



 **1000**  
 **-12000**

n° di cicli effettuati.  
n° di cicli mancanti alla manutenzione ordinaria.



 **B1350**  
**13AB485**

logo CEMBRE, modello utensile.  
n° di serie utensile.



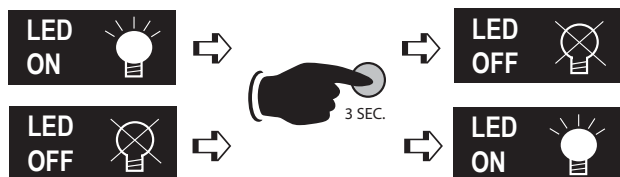
Visualizzata la schermata prescelta, per renderla operativa e fissa ad ogni avvio dell'utensile, agire con un tocco prolungato (almeno 3 sec) sul tasto a sfioramento; un segnale acustico continuo confermerà l'avvenuta impostazione.



*Il tasto capacitivo potrebbe non funzionare se sfiorato con oggetti o indossando i guanti, agire su di esso a mani nude.*

**7.2) SCHERMATE DI SELEZIONE:** permettono di variare alcuni parametri di regolazione, non sono impostabili come automatiche all'avvio dell'utensile, ma richiamabili solo tramite il tasto a sfioramento:

**Attivazione/disattivazione dei led** (impostazione standard di fabbrica LED ON)



Visualizzata la schermata, per disattivare o riattivare l'accensione dei led durante l'utilizzo dell'utensile, agire con un tocco prolungato (almeno 3 sec) sul tasto a sfioramento; un segnale acustico continuo confermerà l'avvenuta impostazione.

**Ritorno alle impostazioni di fabbrica iniziali / Versione Firmware**

Visualizzata la schermata "RESET", per riportare l'utensile alle impostazioni di fabbrica iniziali agire con un tocco prolungato (almeno 3 sec.) sul pulsante a sfioramento; un segnale acustico continuo confermerà l'avvenuta impostazione.

**RESET**  
SW:S1J41413

La schermata RESET mostra inoltre la versione del firmware della scheda elettronica.

**7.3) AVVERTIMENTI:** appaiono durante il funzionamento e informano l'operatore sullo stato dell'utensile:

**BATTERY**



**BATTERIA SCARICA:** procedere alla sua sostituzione.

NOTA: quando la tensione della batteria scende al di sotto di una soglia minima di sicurezza, l'utensile non si avvia; è possibile comunque concludere il ciclo di lavoro in atto.

**BATTERY**









**TEMPERATURA ELEVATA DELLA BATTERIA:** estrarre la batteria e attendere il suo raffreddamento.



**RAGGIUNTO IL N° DI CICLI PREVISTO PER LA MANUTENZIONE ORDINARIA:** l'utensile continua a funzionare, è consigliabile un suo invio alla CEMBRE per una completa revisione (Rif. al § 8).

NOTA: questo messaggio, unitamente ad un segnale acustico, si ripresenterà sempre dopo 30 sec. di inattività, dall'ultimo utilizzo dell'utensile.

**7.4) ERRORI:** appaiono durante il funzionamento e sono associati ad un segnale acustico ed al lampeggiamento dei led, informano l'operatore su eventuali errori procedurali o di funzionamento.

Messaggio	Descrizione dell'errore	Soluzione
	È stato premuto il pulsante di sblocco pressione (5) prima del raggiungimento dei parametri di forza/pressione definiti.	Ripetere il ciclo di lavoro attendendo l'arresto automatico del motore.
	Interruzione del segnale proveniente dalla sonda di temperatura NTC della batteria.	Sostituire la batteria. Se il problema persiste contattare la CEMBRE.
	Assorbimento anomalo di corrente del motore per più di 3 sec. L'utensile si ferma.	Attendere lo spegnimento del display (60 sec.) oppure estrarre e reinserire la batteria quindi, riavviare l'utensile. Se l'errore si ripresenta frequentemente, contattare la CEMBRE.
	Tensione in uscita del trasmettitore di pressione non compresa nell'intervallo prestabilito.	Ripetere il ciclo di lavoro, se l'errore si ripresenta frequentemente, contattare la CEMBRE.
	Mancato raggiungimento della pressione di taratura entro 30 sec. dall'azionamento continuo dell'utensile.	Ripetere il ciclo di lavoro, se l'errore si ripresenta frequentemente, contattare la CEMBRE.
	Sovraccarico della batteria con intervento della protezione. L'utensile si ferma.	Attendere lo spegnimento del display (60 sec.) oppure estrarre e reinserire la batteria quindi, riavviare l'utensile. Se l'errore si ripresenta frequentemente, contattare la CEMBRE.



*I messaggi di errore rimangono visualizzati sul display per circa 30 sec. quindi l'errore viene resettato; si ripresentano in caso di anomalia permanente.*

## 8. COLLEGAMENTO AL COMPUTER (Smartool technology)

La scheda di memoria integrata nell'utensile permette di registrare i parametri relativi al funzionamento dell'utensile e di poterli trasferire successivamente ad un computer con il cavo USB fornito in dotazione. Per visionare e gestire i dati della scheda, è necessario il software CEMBRE CEM\_SWBT01 disponibile gratuitamente nell'area dedicata del sito [www.cembre.com](http://www.cembre.com) previa registrazione. In detta area si possono trovare anche eventuali aggiornamenti firmware della scheda elettronica per ottenere dal proprio utensile la massima efficienza, garantendone le migliori prestazioni.

## 9. RESA ALLA CEMBRE PER REVISIONE

In caso di guasto contattare il nostro Agente di Zona il quale vi consiglierà in merito e fornirà le istruzioni necessarie per l'invio dell'utensile alla nostra Sede; se possibile, allegare copia del Certificato di Collaudo a suo tempo fornito dalla CEMBRE con l'utensile oppure, compilare ed allegare il modulo disponibile nella sezione "ASSISTENZA" del sito web CEMBRE.



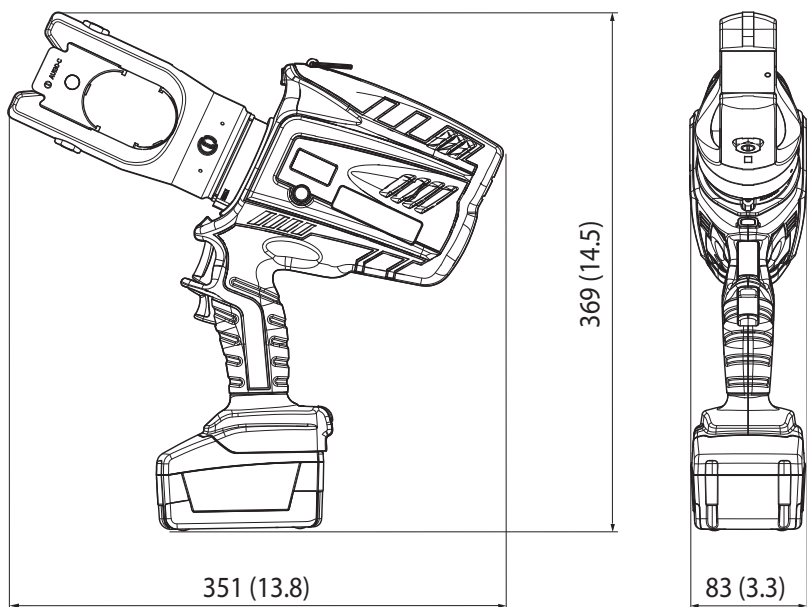


FIG. / BILD 6 mm (inch)



FIG. / BILD 7

- Following information applies in member states of the European Union:
- Les informations suivantes sont destinées aux pays membres de l'Union Européenne:
- Die folgenden Hinweise gelten für Mitglieder der Europäischen Union:
- Las siguientes informaciones conciernen a los estados miembros de la Unión Europea:
- Le seguenti informazioni riguardano gli stati membri dell'Unione Europea:



#### **USER INFORMATION in accordance with Directives 2011/65/EU and 2012/19/EU.**

The 'Not in the bin' symbol above when shown on equipment or packaging means that the equipment must, at the end of its life, be disposed of separately from other waste.

The separate waste collection of such equipment is organised and managed by the manufacturer. Users wishing to dispose of such equipment must contact the manufacturer and follow the prescribed guidelines for its separate collection. Appropriate waste separation, collection, environmentally compatible treatment and disposal is intended to reduce harmful environmental effects and promote the reuse and recycling of materials contained in the equipment. Unlawful disposal of such equipment will be subject to the application of administrative sanctions provided by current legislation.

#### **INFORMATION POUR LES UTILISATEURS aux termes des Directives 2011/65/EU et 2012/19/EU.**

Le symbole "poubelle barrée" apposé sur l'appareil ou sur son emballage indique que le produit, à la fin de sa vie utile, doit être recueilli séparément des autres déchets.

La collecte sélective du présent appareil en fin de vie est organisée et gérée par le producteur. L'utilisateur qui voudra se défaire du présent appareil devra par conséquent contacter le producteur et suivre le système que celui-ci a adopté pour consentir la collecte séparée de l'appareil en fin de vie. La collecte sélective adéquate pour l'envoi successif de l'appareil destiné au recyclage, au traitement et à l'élimination compatible avec l'environnement contribue à éviter les effets négatifs possibles sur l'environnement et sur la santé et favorise la réutilisation ou le recyclage des matériaux dont l'appareil est composé. L'élimination abusive du produit par le détenteur comporte l'application des sanctions administratives prévues par les lois en vigueur.

#### **INFORMATION FÜR DEN BENUTZER gemäß der Richtlinien 2011/65/EU und 2012/19/EU.**

Das durchgekennzeichnete Zeichen des Müllimers, das auf dem Gerät oder seiner Verpackung angebracht ist, zeigt an, dass das Produkt am Ende seiner Lebenszeit von der allgemeinen Abfallentsorgung getrennt werden muss. Die getrennte Sammlung des vorliegenden, zu entsorgenden Gerätes, wird vom Hersteller organisiert und verwaltet. Der Eigentümer, der das Gerät zu entsorgen wünscht, muss sich daher mit dem Hersteller in Verbindung setzen und die von ihm ausgewählte Methode, für die getrennte Sammlung des zu entsorgenden Gerätes, befolgen.

Eine angemessene getrennte Sammlung zur Vorbereitung des Altgerätes für Recycling, Aufbereitung und für eine umweltfreundliche Entsorgung, trägt dazu bei, mögliche negative Auswirkungen auf die Umwelt und auf den Gesundheitszustand zu vermeiden, und begünstigt die Wiederverwertung und das Recycling der Materialien des Gerätes. Bei widerrechtlicher Entsorgung des Produktes durch den Benutzer, werden die vom Gesetz vorgesehene Verwaltungssanktionen angewandt.

#### **INFORME PARA LOS USUARIOS en los términos de las Directivas 2011/65/EU y 2012/19/EU.**

El símbolo del contenedor de basura cruzado por un aspa que aparece en el equipo o sobre su embalaje indica que, al final de su ciclo de vida útil, el producto debe ser eliminado independientemente de otros desechos. La recogida selectiva del presente equipo, llegado al final de su ciclo de vida, es organizada y manejada por el fabricante. El usuario que desee deshacerse del presente equipo deberá, por lo tanto, contactar con el fabricante y seguir el sistema adoptado por el mismo para permitir la recogida por separado del equipo que ha concluido su ciclo de vida. La adecuada recogida selectiva, para el sucesivo envío del equipo dado de baja al reciclaje, al tratamiento y al saneamiento ambiental compatible, contribuye a evitar posibles efectos negativos sobre el medio ambiente y sobre la salud favoreciendo el reempleo y el reciclaje de los materiales que componen el equipo. La eliminación abusiva del equipo por parte del propietario implica la aplicación de las sanciones administrativas prevista por la legislación vigente.

#### **INFORMAZIONE AGLI UTENTI ai sensi delle Direttive Europee 2011/65/EU e 2012/19/EU.**

Il simbolo del cassonetto barrato riportato sull'apparecchiatura o sulla sua confezione indica che il prodotto, alla fine della sua vita utile, deve essere raccolto separatamente dagli altri rifiuti.

La raccolta differenziata della presente apparecchiatura giunta a fine vita è organizzata e gestita dal produttore. L'utente che vorrà disfarsi della presente apparecchiatura dovrà quindi contattare il produttore e seguire il sistema che questo ha adottato per consentire la raccolta separata dell'apparecchiatura giunta a fine vita. L'adeguata raccolta differenziata per l'avvio successivo dell'apparecchiatura dismessa al riciclaggio, al trattamento ed allo smaltimento ambientalmente compatibile contribuisce ad evitare possibili effetti negativi sull'ambiente e sulla salute e favorisce il reimpiego e/o il riciclo dei materiali di cui è composta l'apparecchiatura. Lo smaltimento abusivo del prodotto da parte del detentore comporta l'applicazione delle sanzioni amministrative previste.



**DECLARATION OF CONFORMITY -  
DECLARATION DE CONFORMITE - KONFORMITÄTSERKLÄRUNG -  
DECLARACIÓN DE CONFORMIDAD - DICHIARAZIONE DI CONFORMITÀ**

We Nous Wir Nos Noi: **CEMBRE S.p.A. Via Serenissima, 9 – 25135 Brescia (Italy)**

Declare under our sole responsibility that the product - *Déclarons sous notre seule responsabilité que le produit*  
- Erklären in alleiniger Verantwortung dass das Produkt - *Declaramos bajo nuestra responsabilidad que el producto*  
- Dichiariamo sotto nostra unica responsabilità che il prodotto:

**B1350-UC B1350-UCA B1350-UCE B1350-UCT**

To which this declaration relates is in conformity with the following standard(s) or other normative document(s) -  
*Auquel cette déclaration se réfère est conforme à la (aux) norme(s) ou autre(s) document(s) normatif(s)* -  
Auf dass sich diese Erklärung bezieht, mit der/den folgenden Norm(en) oder dem/den normativen Dokument(en)  
über einstimmt - *Al que se refiere esta declaración, cumple la(s) norma(s) u otro(s) documento(s) normativo(s)* -  
Al quale si riferisce questa dichiarazione è conforme alla(e) norma(e) o altro(i) documento(i) normativo(i):

**EN ISO 12100 EN ISO 3744 EN ISO 11202 EN ISO 5349-1 EN ISO 5349-2 EN55014-1/A11 EN 55014-2**

Following the provisions of EU directive(s) - *Conformément aux dispositions de(s) directive(s) EU* -  
Gemäß den Bestimmungen der EU Richtlinien - *De acuerdo con las disposiciones de la(s) directiva(s) EU*  
Conformemente alle disposizioni della(e) direttiva(e) EU:

**2006/42/EC 2011/65/EU 2014/30/EU**

Person authorised to compile the technical file - *Personne autorisée à constituer le dossier technique* -  
Person die bevollmächtigt ist, die technischen Unterlagen zusammenzustellen -  
*Persona facultada para elaborar el expediente técnico* - Persona autorizzata a costituire il file tecnico:

**Gianluca Cama via Serenissima, 9 – 25135 Brescia (Italy)**

Brescia **28-02-2023**



Felice Albertazzi  
CHIEF SALES & MARKETING OFFICER  
Cembre S.p.A.



**DECLARATION OF CONFORMITY**

We: **CEMBRE S.p.A. Via Serenissima, 9 – 25135 Brescia (Italy)**

Declare under our sole responsibility that the product:

**B1350-UC B1350-UCA B1350-UCE B1350-UCT**

To which this declaration relates is in conformity with the following standard(s) or other normative document(s):

**EN ISO 12100 EN ISO 3744 EN ISO 11202 EN ISO 5349-1 EN ISO 5349-2 EN55014-1/A11 EN 55014-2**

Following the provisions of the UK Legislation(s):

**S.I. 2008/1597 S.I. 2012/3032 S.I. 2016/1091**



Felice Albertazzi  
CHIEF SALES & MARKETING OFFICER  
Cembre S.p.A.

Brescia **28-02-2023**



**CEMBRE S.p.A.**  
via Serenissima, 9  
25135 Brescia  
Italy  
Ph +39 030 36921  
ufficio.vendite@cembre.com  
sales@cembre.com

**CEMBRE Ltd.**  
Dunton Park,  
Kingsbury Road,  
Curdworth, Sutton Coldfield  
West Midlands, B76 9EB  
United Kingdom  
Ph +44 01575 470440  
sales@cembre.co.uk

**CEMBRE S.a.r.l.**  
22 Avenue Ferdinand  
de Lesseps  
91420 Morangis Cedex  
France  
Ph +33 01 60 49 11 90  
info@cembre.fr

**CEMBRE España S.L.U.**  
Calle Verano 6 y 8  
Pl Las Monjas  
28850 Torrejón de Ardoz  
Madrid - Spain  
Ph +34 91 4852580  
comercial@cembre.com

**CEMBRE GmbH**  
Geschäftsbereich  
Energie- und Bahntechnik  
Heidemannstr. 166  
80939 München  
Germany  
Ph + 49 89-3580676  
info@cembre.de



**CEMBRE GmbH**  
Geschäftsbereich  
Industrie und Handel  
Boschstraße 7  
71384 Weinstadt  
Germany  
Ph +49 7151-20536-60  
info-wg@cembre.de



**CEMBRE Inc.**  
Raritan Center Business Park  
300 Columbus Circle-S.F.,  
Edison, NJ 08837 USA  
Ph +1 (732) 225-7415  
sales.us@cembre.com  
Midwest Office  
1051 Perimeter Dr. #470  
Schaumburg, IL 60173

[www.cembre.com](http://www.cembre.com)

This manual is the property of CEMBRE: any reproduction is forbidden without written permission.  
Ce manuel est la propriété de CEMBRE: toute reproduction est interdite sauf autorisation écrite.  
Diese Bedienungsanleitung ist Eigentum der Firma CEMBRE.  
Ohne vorherige schriftliche Genehmigung darf die Bedienungsanleitung weder vollständig noch teilweise vervielfältigt werden.  
Este manual es propiedad de CEMBRE. Toda reproducción está prohibida sin autorización escrita.  
Questo manuale è di proprietà della CEMBRE: ogni riproduzione è vietata se non autorizzata per scritto.