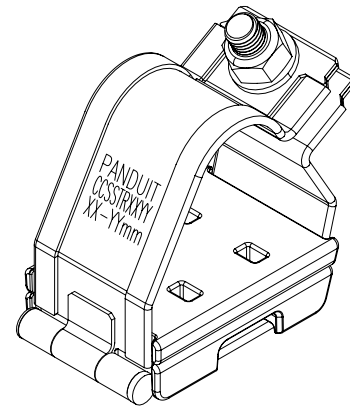


THIS COPY IS PROVIDED ON A RESTRICTED BASIS AND IS NOT TO BE USED IN ANY WAY DETRIMENTAL TO THE INTERESTS OF PANDUIT CORP.

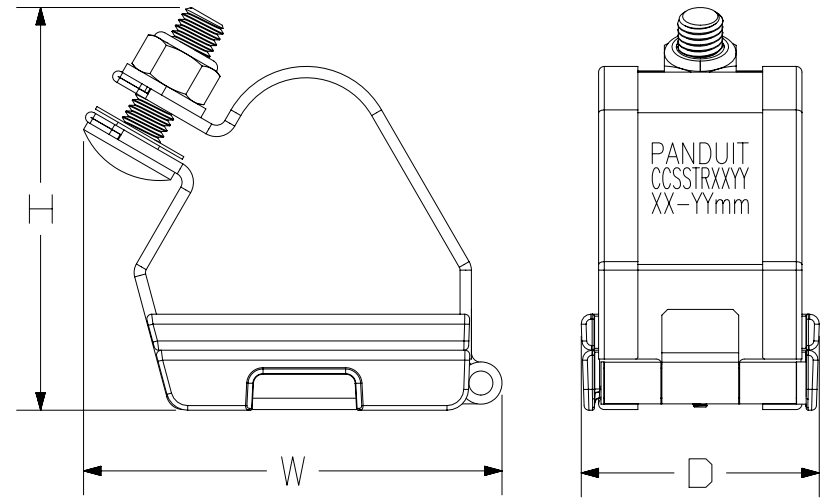
NOTES:

1. VISIT OUR ON-LINE CATALOG AT WWW.PANDUIT.COM FOR A LIST OF CURRENT PARTS APPLICABLE FOR USE WITH THIS PRODUCT.
2. DIMENSIONS IN [] ARE METRIC.
3. ALL MATERIALS AND COMPONENTS USED MEET THE MATERIAL RESTRICTIONS OF RoHS EUROPEAN DIRECTIVE ON THE RESTRICTION OF HAZARDOUS SUBSTANCES AS PROPOSED BY THE RoHS TECHNICAL ADAPTATION COMMITTEE.
4. TOP AND BOTTOM CLEAT PARTS ARE 316 STAINLESS STEEL. FASTENERS AND PINS ARE 18-8SS.
5. MEETS IEC 61914:2015 SPECIFICATIONS.
6. MOUNTING FASTENERS ARE NOT INCLUDED IN THE PACKAGE AND MUST BE PURCHASED SEPARATELY.
7. SELECT M8 CARRIAGE BOLT LENGTH SUITABLE FOR THE RUNG
8. CABLE CLEAT BRACKET, PART NUMBER CBH##L##-V6, IS SOLD SEPARATELY.
9. CONTACT PANDUIT SALES FOR CUSTOMIZED SOLUTIONS.



PANDUIT CABLE CLEAT ASSEMBLY FOR CABLE TREFOIL CONFIGURATIONS

PART NUMBER	CABLE DIAMETER RANGE in. [mm]	"H" in. [mm]	"W" in. [mm]	"D" in. [mm]	WEIGHT lb [g]	MOUNTING HOLES
CCSSTR2025-X	0.79-0.98 [20-25]	3.43 [87]	3.39 [86]	2.48 [63]	0.92 [417]	1 X M8
CCSSTR2328-X	0.91-1.10 [23-28]	3.58 [91]	3.54 [90]	2.48 [63]	0.97 [439]	1 X M8
CCSSTR2632-X	1.02-1.26 [26-32]	3.74 [95]	3.82 [97]	2.48 [63]	1.06 [480]	1 X M8
CCSSTR3036-X	1.18-1.42 [30-36]	3.94 [100]	4.13 [105]	2.48 [63]	1.14 [518]	1 X M8
CCSSTR3440-X	1.34-1.58 [34-40]	4.25 [108]	4.37 [111]	2.48 [63]	1.21 [547]	1 X M8
CCSSTR3844-X	1.50-1.73 [38-44]	4.25 [108]	4.69 [119]	2.48 [63]	1.28 [581]	1 X M8
CCSSTR4248-X	1.65-1.89 [42-48]	4.41 [112]	4.96 [126]	2.48 [63]	1.35 [613]	1 X M8
CCSSTR4652-X	1.81-2.05 [46-52]	4.61 [117]	5.24 [133]	2.48 [63]	1.43 [647]	1 X M8
CCSSTR5057-X	1.97-2.24 [50-57]	4.84 [123]	5.63 [143]	2.48 [63]	1.51 [686]	1 X M8
CCSSTR5461-X	2.13-2.40 [54-61]	5.12 [130]	5.91 [150]	2.48 [63]	1.59 [720]	1 X M8
CCSSTR5865-X	2.28-2.56 [58-65]	5.43 [138]	6.18 [157]	2.48 [63]	1.66 [754]	1 X M8
CCSSTR6269-X	2.44-2.72 [62-69]	5.71 [145]	6.50 [165]	2.48 [63]	1.72 [782]	1 X M8



TITLE						STAINLESS STEEL TREFOIL CABLE CLEAT					
CUSTOMER DRAWING											
ITEM REVISION NAME			00017EKZ/01			MATERIAL			316 STAINLESS STEEL		
DATASET FILE NAME			00017EKZ/01_DC			DRAWING NUMBER			00017EKZ_DC		
THIRD ANGLE PROJECTION			DRAWN BY			DATE			SCALE		
DRAWING NUMBER			ACC			7/27/18			NONE		
SHEET 1 OF 1			ECN			RGR0			A		

01A	4/2/19	ACC	GBI	JADE	UPDATED NOTE 3, ADDED TEXT TO PART	041880
00	10/15/18	ACC	GBI		INITIAL RELEASE	
REV	DATE	BY	CHK	APR	DESCRIPTION	ECN