

Accessories for cable trunking

PLIO® retaining clip

PLIO® bridging clip



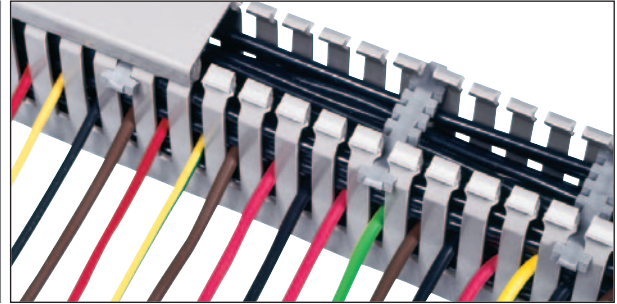
PLIO®



PLIO GX-1 GX-2


Material: PP
Colour: grey
Operating temperatures: -25 to +70°C
Flame resistance: V2 UL94
Specifications: halogen free

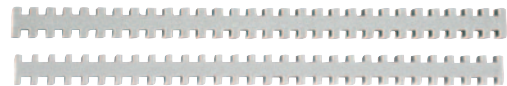
Application: keeps cable in trunking.



The GX clips have following functions:

- keeping cables secured when trunking is mounted horizontally or vertically.
- ensuring easier lid fixing due to the oblique teeth supporting the trunking webs.
- easy assembly, the clip should be clamped between two webs on the appropriate trunking width.

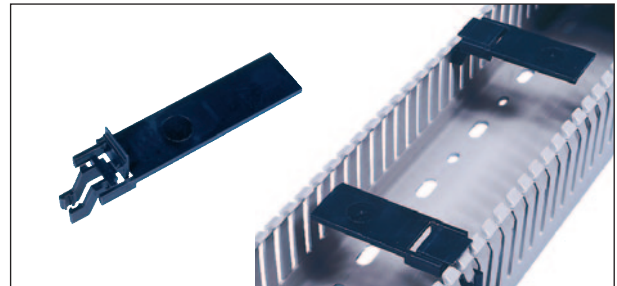
type	article number	width mm	length mm	thickness mm	for trunking height (mm)	
GX-1 HF	0845 0917 013	9	147	2,5	≤ 75	50
GX-2 HF	0845 0918 013	9	147	2,5	80 - 100	50



PLIO GX

Material: PA halogen free
Colours: black
Operating temperatures: -40 to +100°C
Flame resistance: V0 UL94
Specification: halogen free


Application: keeps cable in GN-A6/4, GF-DIN-A7/5 and GF-A6/4 trunking.

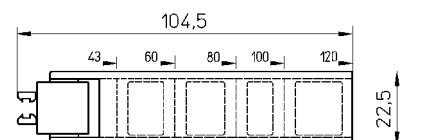
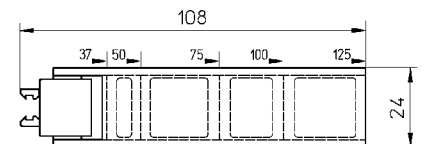


Clips are of universal use, they can be cut to the trunking width.

Allows complete or partial change of cabling at any time without removal of clip.

It is advisable to position clamps every 20/30 cm on the trunking, by alternating the fixing side (see picture).

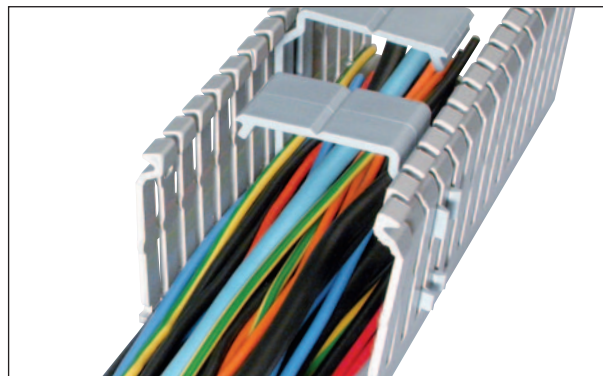
type	article number	width mm	length mm	for trunking series	for trunking height (mm)	
GX-DIN-A7/5 HF	0845 0916 010	24	108	GF-DIN-A7/5 GF-DIN-SH-A7/5	25 ... 75	50
GX-A6/4 HF	0845 0915 010	22,5	105	GN-A6/4 GN-HF-A6/4	42 ... 80 60	50



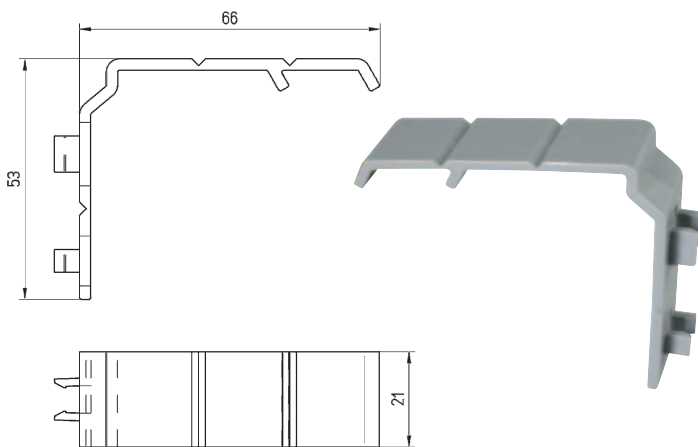
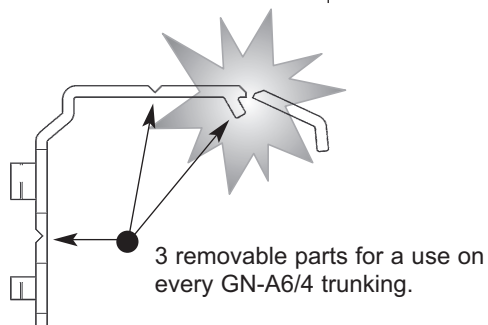
BR-GN

Material: PS
Colour: grey
Operating temperatures: -40 to +70°C
Flame resistance: V2 UL94

Application: keeps cables in GN trunking.
 Thanks to its design, this retaining clip is usable on every GN-A6/4 trunking.



type	article number	
BR-GN	0839 0100 013	50

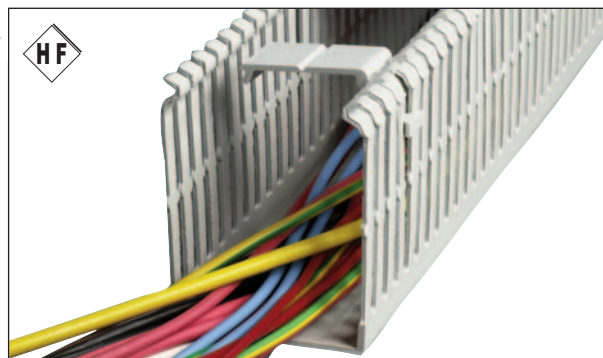


BR-GN-HF

New

Material: PC/ABS, flame retardant
Colour: light grey
Operating temperatures: -25 to +90°C
Specification: V0 UL94
 halogen free

Application: keeps cables in GN-HF-A6/4 trunking with a width of 30 mm or more and heights of 40, 60 and 80 mm. Easy and quick to use.



type	article number	
BR-GN-HF	0850 0100 025	50

