

Spare Parts List



Label Printer

SQUIX 4

for the following products

Family	Type	
	Media guiding left-aligned	Media guiding centered
SQUIX	SQUIX 4.3/200	SQUIX 4.3/200M
	SQUIX 4.3/200P	SQUIX 4.3/200MP
	-	SQUIX 4.3/200MT
	SQUIX 4.3/300	SQUIX 4.3/300M
	SQUIX 4.3/300P	SQUIX 4.3/300MP
	-	SQUIX 4.3/300MT
	SQUIX 4/300	SQUIX 4/300M
	SQUIX 4/300P	SQUIX 4/300MP
	-	SQUIX 4/300MT
	SQUIX 4/600	SQUIX 4/600M
	SQUIX 4/600P	SQUIX 4/600MP
	-	SQUIX 4/600MT

Table of Contents

1	Covering	3
2	Control Panel, Power Supply, PCB CPU	4
3	Printhead Assembly	5
4	Print Roller Assembly, Label Sensor	6
4.1	Media guiding left-aligned	6
4.2	Media guiding centered - up to SN 4999	7
4.3	Media guiding centered - from SN 5000	8
5	Print Roller Assembly, Separator SQUIX 4MT	9
6	Main Drive, Roll Retainer	10
7	Transfer Ribbon Winders	11
8	Internal Rewinder	12
9	Spare Parts Register	13
10	Packaging/Accessories	15

Edition: 10/2020 - Part No. 9009983

Copyright

This documentation as well as translation hereof are property of cab Produkttechnik GmbH & Co. KG.

The replication, conversion, duplication or divulgement of the whole manual or parts of it for other intentions than its original intended purpose - in particular the procurement of spare parts for products sold by cab – demand the previous written authorisation by cab.

Editor

Regarding questions or comments please contact cab Produkttechnik GmbH & Co. KG.

Topicality

Due to the constant further development of our products discrepancies between documentation and product can occur.

Please check www.cab.de for the latest update.

Terms and conditions

Deliveries and performances are effected under the "General conditions of sale of cab"

Germany
cab Produkttechnik GmbH & Co KG
 Karlsruhe
 Phone +49 721 6626 0
www.cab.de

USA
cab Technology, Inc.
 Chelmsford, MA
 Phone +1 978 250 8321
www.cab.de/us

Taiwan
cab Technology Co., Ltd.
 Taipei
 Phone +886 (02) 8227 3966
www.cab.de/tw

China
cab (Shanghai) Trading Co., Ltd.
 Guangzhou
 Phone +86 (020) 2831 7358
www.cab.de/cn

France
cab Technologies S.à.r.l.
 Niedermodern
 Phone +33 388 722501
www.cab.de/fr

Mexico
cab Technology, Inc.
 Juárez
 Phone +52 656 682 4301
www.cab.de/es

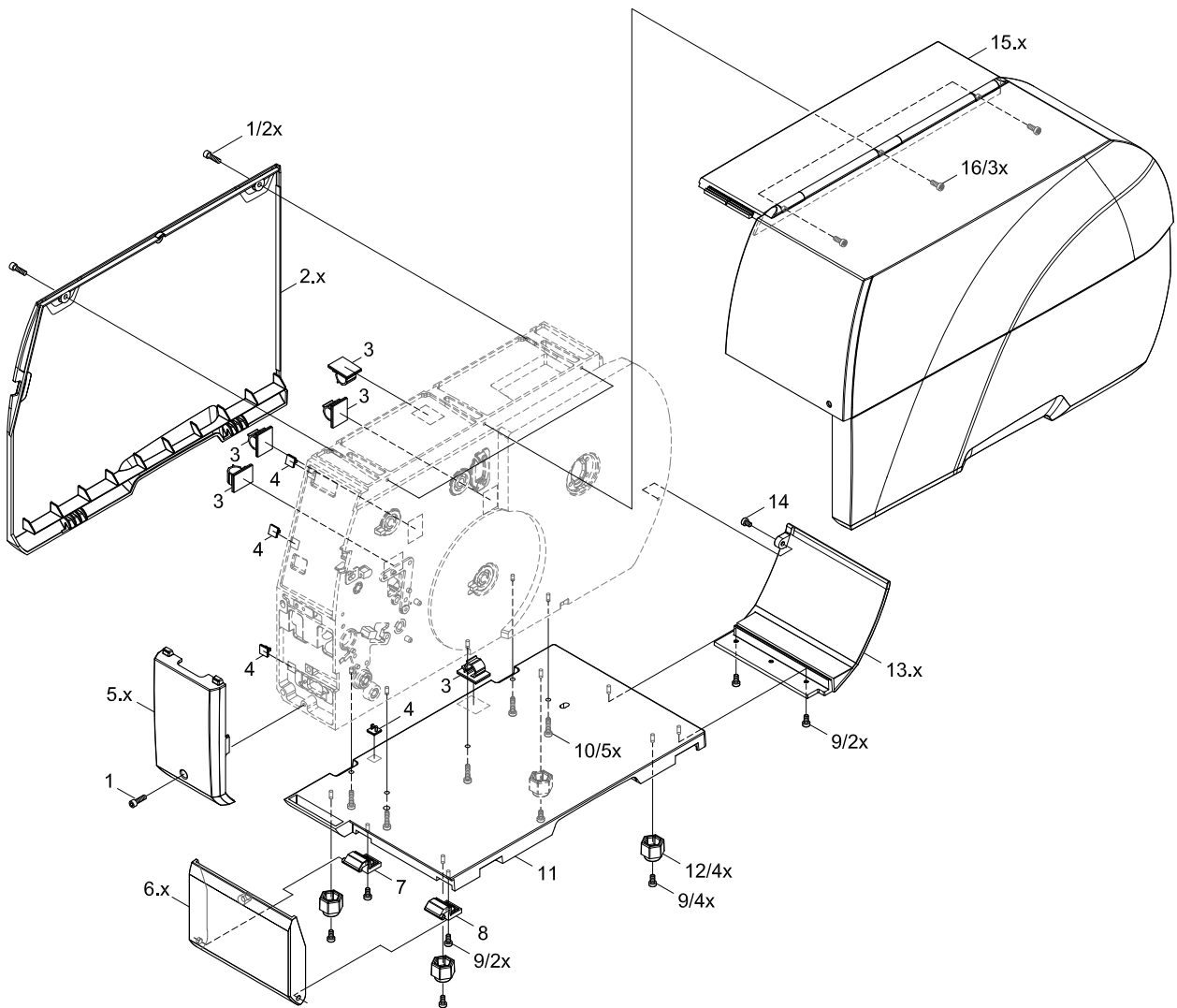
China
cab (Shanghai) Trading Co., Ltd.
 Shanghai
 Phone +86 (021) 6236 3161
www.cab.de/cn

South Africa
cab Technology (Pty) Ltd.
 Randburg
 Phone +27 11 886 3580
www.cab.de/za

No	Part No.	Description	PU	Note	Serial No.	
					from	to
1	5902241.001	Screw DIN7984-M4x10	10	BP		
2.1	5977405.001	Cover Plate	1	S		
2.2	5977405.004	Cover Plate	1	E		
3	5901781.001	Cable Clamp	10			
4	5901575.001	Cable Clamp	10			
5.1	5977399.001	Cover	1	BP		
5.2	5977399.004	Cover	1	BPE		
6.1	5977346.001	Cover	1	BS		
6.2	5977346.003	Cover	1	BE		
7	5977568.001	Hinge	1	B		
8	5977569.001	Hinge	1	B		

No	Part No.	Description	PU	Note	Serial No.	
					from	to
9	5904915.001	Screw DIN7984-M4x8	10			
10	5904916.001	Screw DIN7984-M4x16	10			
11	5977846.001	Baseplate	1			
12	5977466.001	Foot	1			
13.1	5977570.001	Cover	1	S		
13.2	5977570.002	Cover	1	E		
14	5902571.001	Screw DIN7984-M4x6	10			
15.1	5977332.001	Hinged Cover	1	S		
15.2	5977763.001	Hinged Cover	1	E		
15.3	5977764.001	Hinged Cover	1	F		
16	5902592.001	Screw DIN7984-M4x10	10			

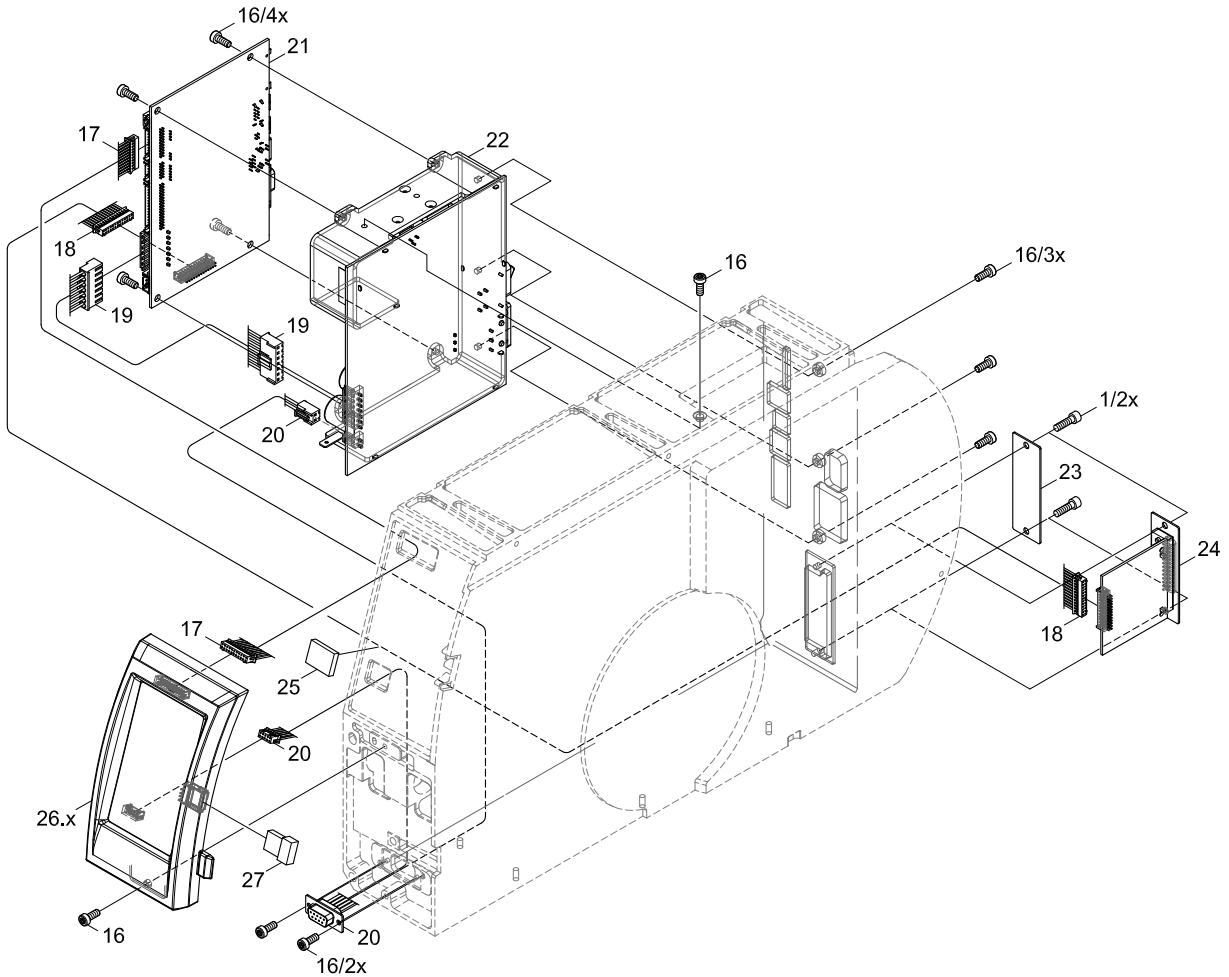
Notes	B	SQUIX 4/...
	P	SQUIX 4/...P
	T	SQUIX 4/...T
	L	SQUIX 4/4P
	M	SQUIX 4M/4MP/4MT
	S	Standard
	E	for ESD sectors
	F	for the food industry



No	Part No.	Description	PU	Note	Serial No.	
					from	to
1	5902241.001	Screw DIN7984-M4x10	10			
16	5902592.001	Screw DIN7984-M4x10	10			
17	5977312.001	Cable Control Panel	1			
18	5977330.001	Cable I/O Interface	1	P		
19	5977326.001	Cable Power Supply	1			
20	5977328.001	Cable Periphery	1			
21	5551353.001	PCB CPU X4.2	1			
22	5551162.001	Power Supply	1			

No	Part No.	Description	PU	Note	Serial No.	
					from	to
23	5977576.001	Cover	1	BT		
24	5551312.001	PCB I/O Interface	1	P		
25	5978958.001	Strip	1			
26.1	5977491.001	Control Panel	1	S		1999
26.2	5977345.001	Control Panel	1	S	2000	
26.3	5977345.003	Control Panel	1	E	2000	
27	5978912.001	USB WiFi Stick	1		2000	

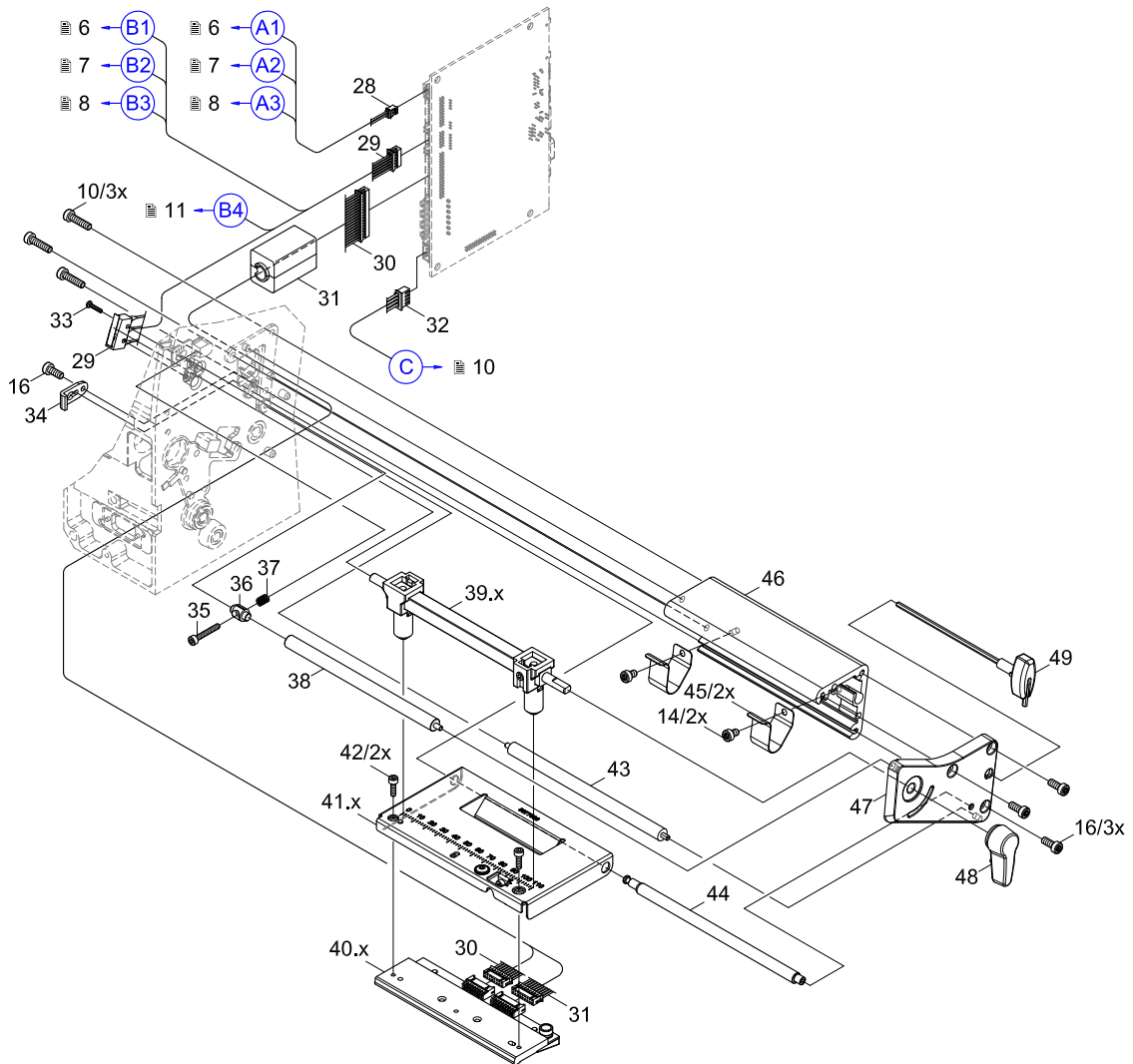
Notes	B	SQUIX 4/...
	P	SQUIX 4/...P
	T	SQUIX 4/...T
	L	SQUIX 4/4P
	M	SQUIX 4M/4MP/4MT
	S	Standard
	E	for ESD sectors



No	Part No.	Description	PU	Note	Serial No.	
					from	to
10	5904916.001	Screw DIN7984-M4x16	10			
14	5902571.001	Screw DIN7984-M4x6	10			
16	5902592.001	Screw DIN7984-M4x10	10			
28	5977331.001	Switch	1			
29	5977327.001	Cable Sensors	1			
30	5977480.001	Cable Printhead	1			
31	5906209.001	Ferrite	1		5787	
32	5977350.001	Stepper Motor	1			
33	5902457.001	Screw DIN7985-M2x10	10			
34	5977591.001	Clamp	1			
35	5902011.001	Screw DIN912-M3x20	10			
36	5977481.001	Pivot Arm	1			
37	5906136.001	Spring	5			
38	5977536.001	Roller Ribbon	1			
39.1	5977516.001	Printhead Locking System	1	L		

No	Part No.	Description	PU	Note	Serial No.	
					from	to
39.2	5977514.001	Printhead Locking System	1	M		
40.1	5977444.001	Printhead 4/300	1	4/300		
40.2	5977380.001	Printhead 4/600	1	4/600		
40.3	5977382.001	Printhead 4.3/200	1	4.3/200		
40.4	5977383.001	Printhead 4.3/300	1	4.3/300		
41.1	5977416.001	Printhead Mounting Bracket	1	L		
41.2	5977561.001	Printhead Mounting Bracket	1	M		
42	5902010.001	Screw DIN912-M3x10	10			
43	5954044.001	Roller	1			
44	5977373.001	Eccentric	1			
45	5977336.001	Spring	1			
46	5977443.001	Profile	1			
47	5977482.001	Side Plate	1			
48	5977459.001	Lever	1			
49	5946113.001	Allen Key	1			

Notes	B	SQUIX 4/...
	P	SQUIX 4/...P
	T	SQUIX 4/...T
	L	SQUIX 4/4P
	M	SQUIX 4M/4MP/4MT

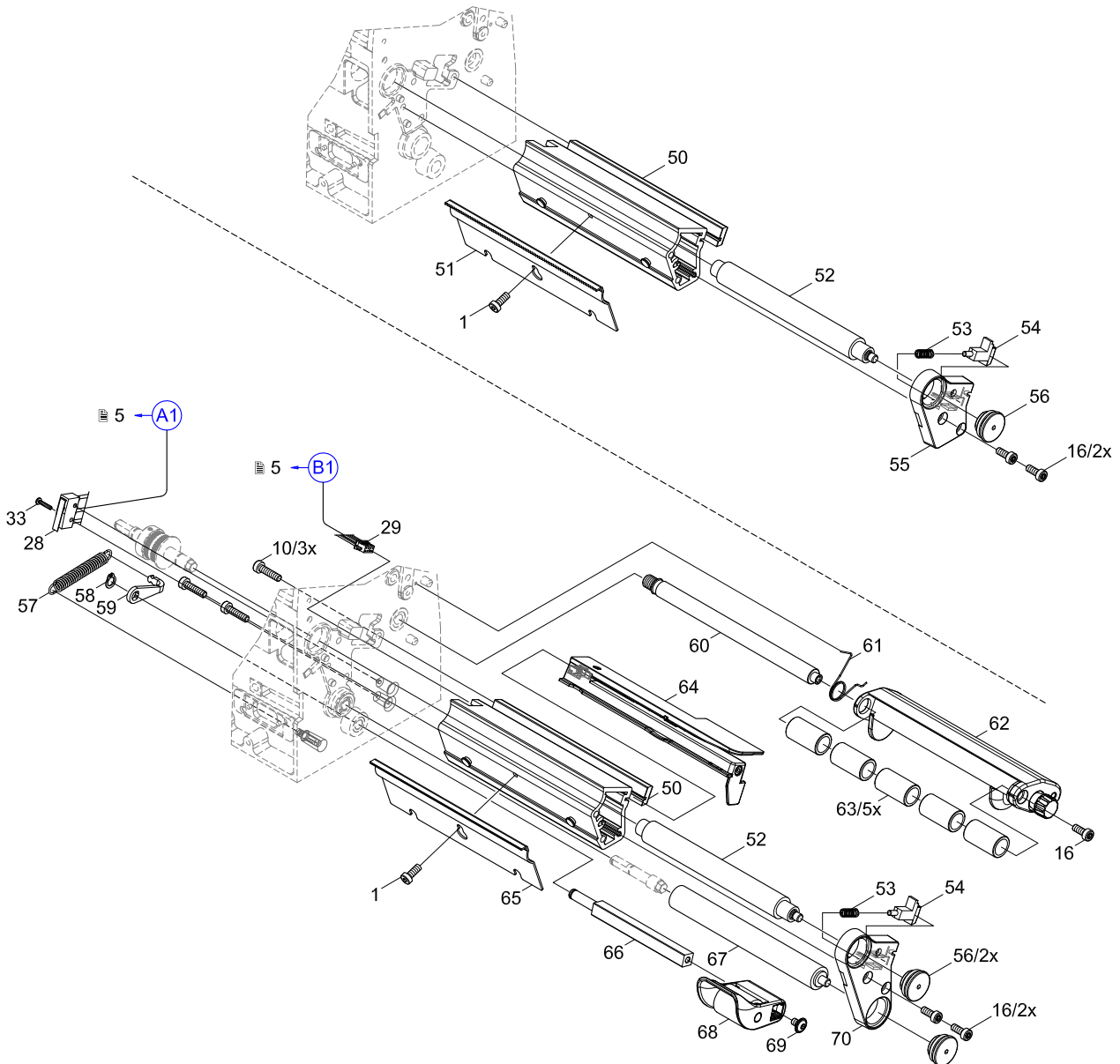


4.1 Media guiding left-aligned

No	Part No.	Description	PU	Note	Serial No.	
					from	to
1	5902241.001	Screw DIN7984-M4x10	10			
10	5904916.001	Screw DIN7984-M4x16	10			
16	5902592.001	Screw DIN7984-M4x10	10			
28	5977331.001	Switch	1	P		
29	5977327.001	Cable Sensors	1			
33	5902457.001	Screw DIN7985-M2x10	10	P		
50	5977432.001	Profile	1			
51	5977415.001	Tear-off Plate TP400	1	B		
52	5954180.001	Drive Roller DR4	1			
53	5540637.001	Spring	10			
54	5977554.001	Locking	1			
55	5977484.001	Side Plate	1	B		
56	5977420.001	Roller Bearing	1			
57	5906262.001	Spring	1	P		

No	Part No.	Description	PU	Note	Serial No.	
					from	to
58	5903521.001	Snap Ring DIN471-A6	10	P		
59	5977316.001	Lever	1	P		
60	5977577.001	Axle	1			
61	5977441.001	Spring	1			
62	5977794.001	Swing	1			
63	5977578.001	Roller	1			
64	5977531.001	Label Sensor	1			
65	5977414.001	Dispense Plate DP400	1	P		
66	5977422.001	Axle	1	P		
67	5954183.001	Roller RR4	1	P		
68	5977423.001	Pinch Roller	1	P		
69	5902817.001	Screw sim. ISO7380-M4x6	10	P		
70	5977483.001	Side Plate	1	P		

Notes	B	SQUIX 4/...
	P	SQUIX 4/...P
	T	SQUIX 4/...T
	L	SQUIX 4/4P
	M	SQUIX 4M/4MP/4MT

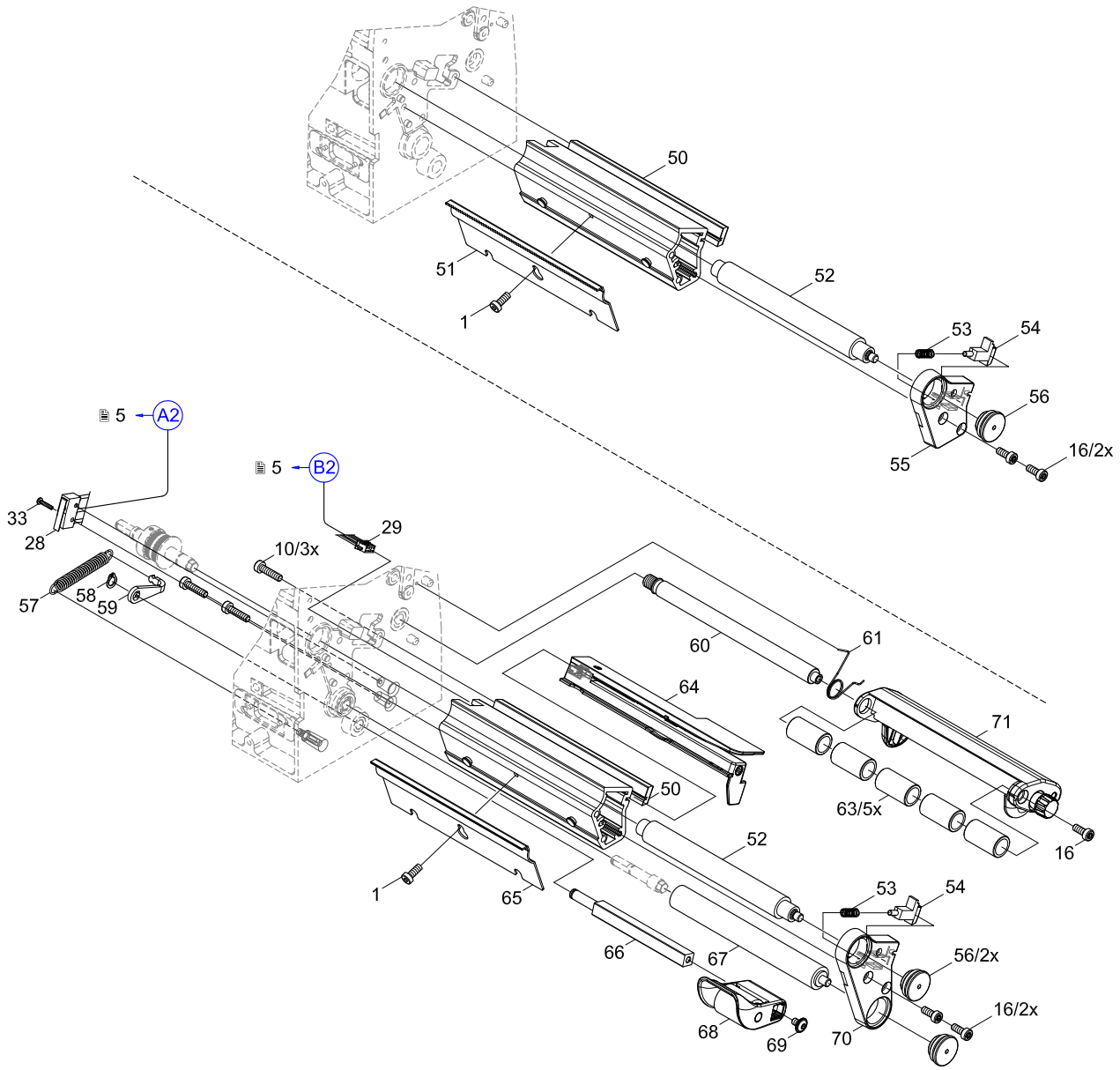


4.2 Media guiding centered - up to SN 4999

No	Part No.	Description	PU	Note	Serial No.	
					from	to
1	5902241.001	Screw DIN7984-M4x10	10			
10	5904916.001	Screw DIN7984-M4x16	10			
16	5902592.001	Screw DIN7984-M4x10	10			
28	5977331.001	Switch	1	P		
29	5977327.001	Cable Sensors	1			
33	5902457.001	Screw DIN7985-M2x10	10	P		
50	5977432.001	Profile	1			4999
51	5977415.001	Tear-off Plate TP400	1	B		
52	5954180.001	Drive Roller DR4	1			
53	5540637.001	Spring	10			
54	5977554.001	Locking	1			
55	5977484.001	Side Plate	1	B		4999
56	5977420.001	Roller Bearing	1			
57	5906262.001	Spring	1	P		

No	Part No.	Description	PU	Note	Serial No.	
					from	to
58	5903521.001	Snap Ring DIN471-A6	10	P		
59	5977316.001	Lever	1	P		
60	5977577.001	Axle	1			
61	5977441.001	Spring	1			
63	5977578.001	Roller	1			
64	5977531.001	Label Sensor	1			
65	5977414.001	Dispense Plate DP400	1	P		
66	5977422.001	Axle	1	P		
67	5954183.001	Roller RR4	1	P		
68	5977423.001	Pinch Roller	1	P		
69	5902817.001	Screw sim. ISO7380-M4x6	10	P		
70	5977483.001	Side Plate	1	P		4999
71	5977816.001	Swing	1			4999

Notes	B	SQUIX 4/...
	P	SQUIX 4/...P
	T	SQUIX 4/...T
	L	SQUIX 4/4P
	M	SQUIX 4M/4MP/4MT

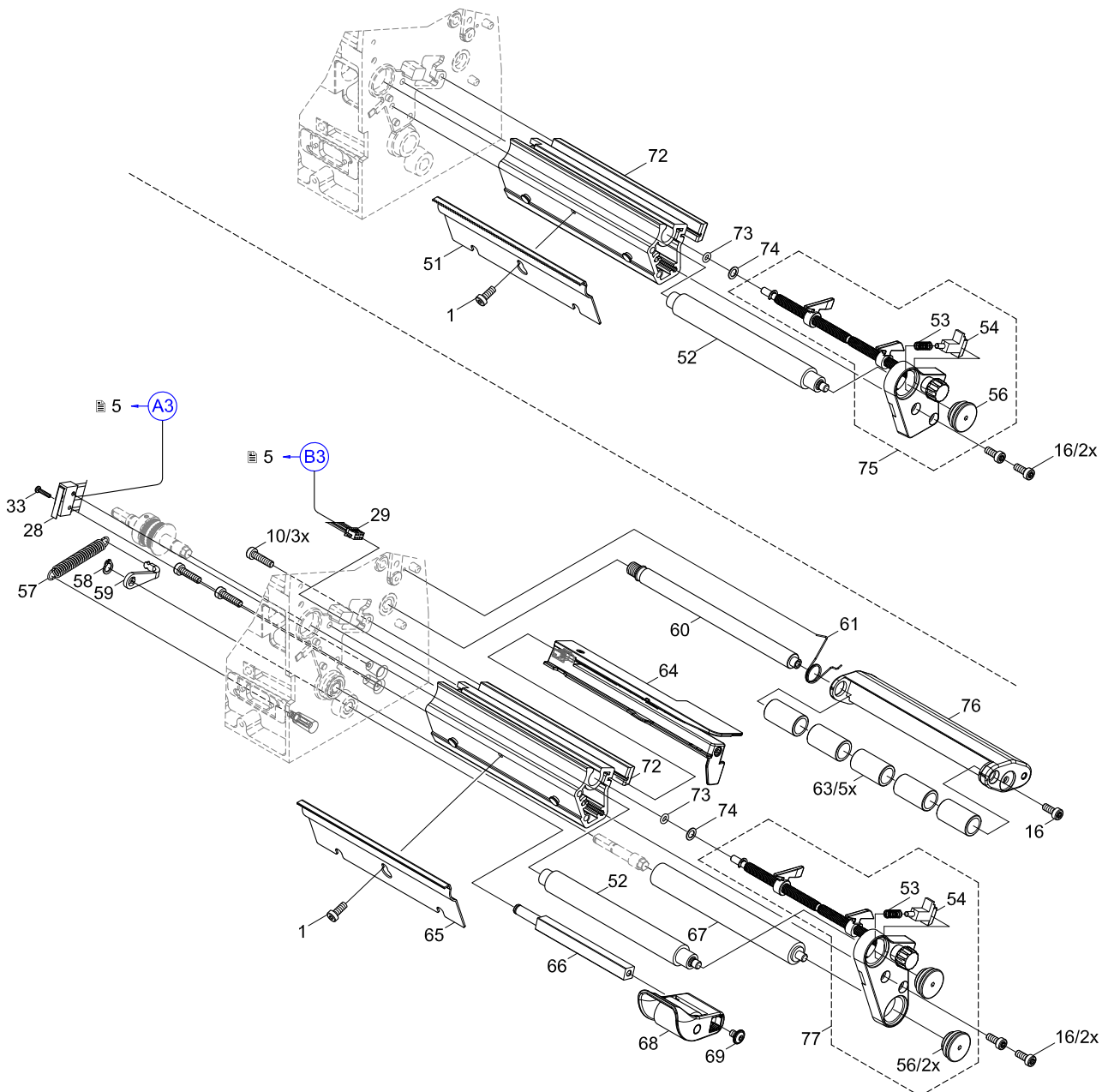


4.3 Media guiding centered - from SN 5000

No	Part No.	Description	PU	Note	Serial No.	
					from	to
1	5902241.001	Screw DIN7984-M4x10	10			
10	5904916.001	Screw DIN7984-M4x16	10			
16	5902592.001	Screw DIN7984-M4x10	10			
28	5977331.001	Switch	1	P		
29	5977327.001	Cable Sensors	1			
33	5902457.001	Screw DIN7985-M2x10	10	P		
51	5977415.001	Tear-off Plate TP400	1	B		
52	5954180.001	Drive Roller DR4	1			
53	5540637.001	Spring	10			
54	5977554.001	Locking	1			
56	5977420.001	Roller Bearing	1			
57	5906262.001	Spring	1	P		
58	5903521.001	Snap Ring DIN471-A6	10	P		
59	5977316.001	Lever	1	P		
60	5977577.001	Axle	1			

No	Part No.	Description	PU	Note	Serial No.	
					from	to
61	5977441.001	Spring	1			
63	5977578.001	Roller	1			
64	5977531.001	Label Sensor	1			
65	5977414.001	Dispense Plate DP400	1	P		
66	5977422.001	Axle	1	P		
67	5954183.001	Roller RR4	1	P		
68	5977423.001	Pinch Roller	1	P		
69	5902817.001	Screw sim. ISO7380-M4x6	10	P		
72	5977348.001	Profile	1			5000
73	5905570.001	O-Ring 5x1.5	10			
74	5903091.001	Washer DIN988-5x8x0,5	10			
75	5977436.001	Side Plate	1	B		5000
76	5977793.001	Swing	1			5000
77	5977435.001	Side Plate	1	P		5000

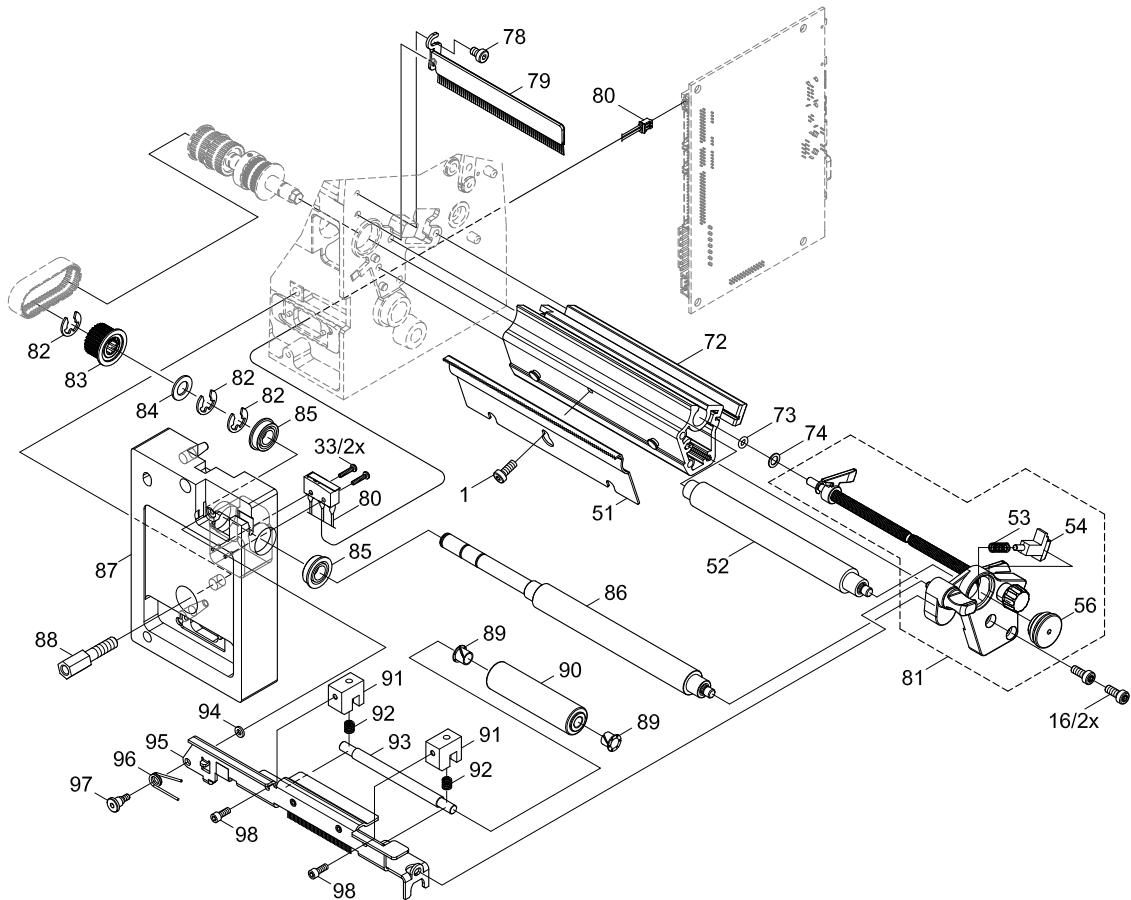
Notes	B	SQUIX 4/...
	P	SQUIX 4/...P
	T	SQUIX 4/...T
	L	SQUIX 4/4P
	M	SQUIX 4M/4MP/4MT



No	Part No.	Description	PU	Note	Serial No.	
					from	to
1	5902241.001	Screw DIN7984-M4x10	10			
16	5902592.001	Screw DIN7984-M4x10	10			
33	5902457.001	Screw DIN7985-M2x10	10	T		
51	5977415.001	Tear-off Plate TP400	1	T		
52	5954180.001	Drive Roller DR4	1			
53	5540637.001	Spring	10			
54	5977554.001	Locking	1			
56	5977420.001	Roller Bearing	1			
72	5977348.001	Profile	1			
73	5905570.001	O-Ring 5x1.5	10			
74	5903091.001	Washer DIN988-5x8x0,5	10			
78	5902358.001	Screw DIN7984-M4x6	10	T		
79	5984782.001	Antistatic Brush	1	T		
80	5952698.001	Switch	1	T		
81	5984440.001	Side Plate	1	T		
82	5903501.001	E-Ring DIN6799-7	10	T		

No	Part No.	Description	PU	Note	Serial No.	
					from	to
83	5943120.001	Gear 28	1	T		
84	5903035.001	Washer DIN988-8x14x1.0	10	T		
85	5901071.001	Ball Bearing DIN625-F688-ZZ	1	T		
86	5970846.001	Pinch Roller	1	T		
87	5970853.001	Plate	1	T		
88	5977596.001	Distance Bolt	1	T		
89	5901060.001	Plastic Bushing	10	T		
90	5970820.001	Roller	1	T		
91	5970822.001	Retainer	1	T		
92	5906133.001	Spring	10	T		
93	5970821.001	Axle	1	T		
94	5903103.001	Washer DIN988-3x6x1.0	10	T		
95	5970856.001	Bracket	1	T		
96	5970834.001	Spring	1	T		
97	5970824.001	Screw	1	T		
98	5902007.001	Screw DIN912-M3x6	10	T		

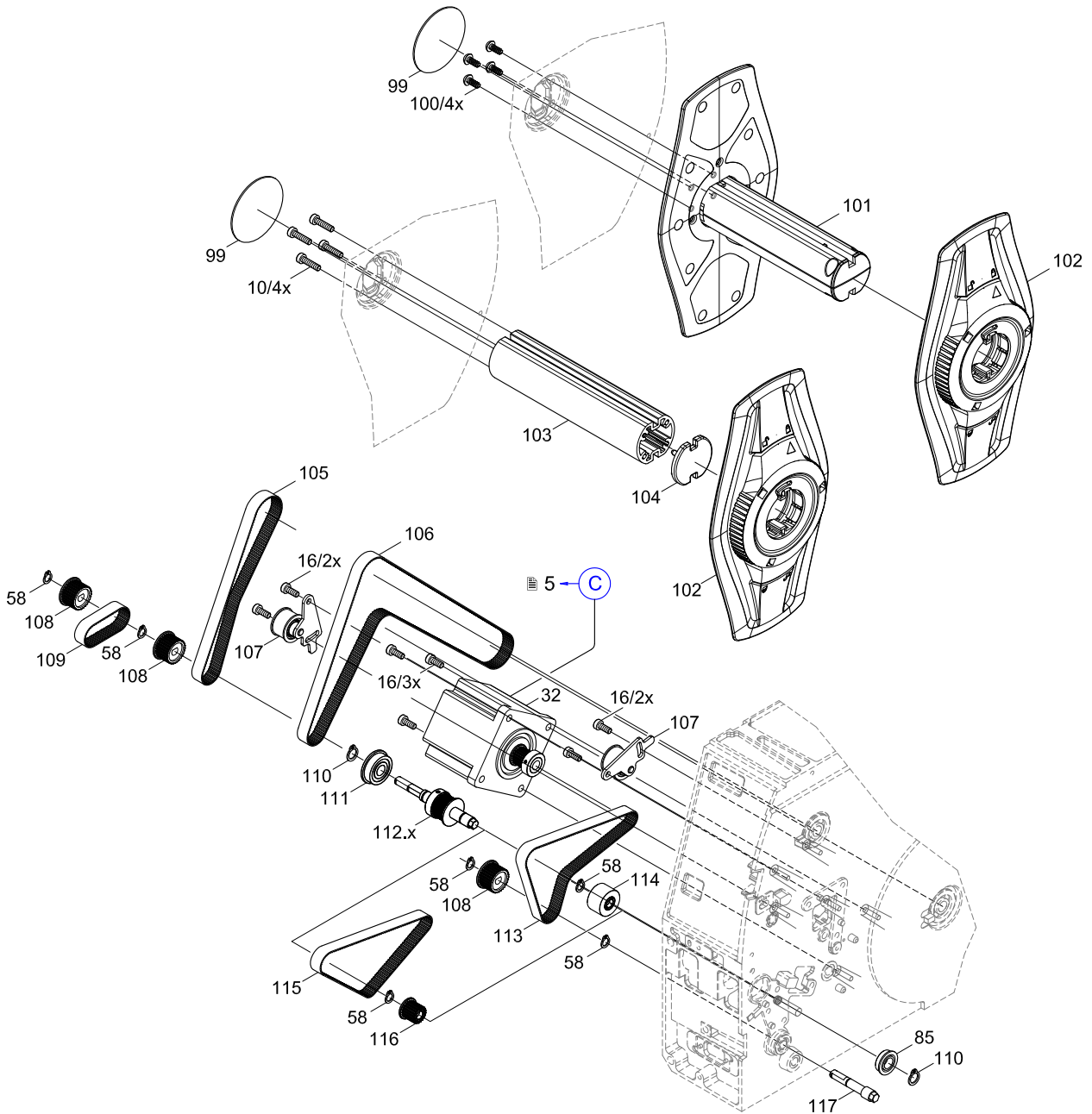
Notes	B	SQUIX 4/...
	P	SQUIX 4/...P
	T	SQUIX 4/...T
	L	SQUIX 4/4P
	M	SQUIX 4M/4MP/4MT



No	Part No.	Description	PU	Note	Serial No.	
					from	to
10	5904916.001	Screw DIN7984-M4x16	10			
16	5902592.001	Screw DIN7984-M4x10	10			
32	5977350.001	Stepper Motor	1			
58	5903521.001	Snap Ring DIN471-A6	10			
85	5901071.001	Ball Bearing DIN625-F688-ZZ	1			
99	5907723.001	Adhesive Plate	1			
100	5902816.001	Screw EJOT-PT-K40x10	10	M		
101	5978914.001	Media Hub	1	M		
102	5959588.001	Margin Stop	1			
103	5977511.001	Profile	1	L		
104	5977562.001	Cap	1	L		
105	5905827.001	Belt 155MXL 037	1	BT		
106	5906322.001	Belt 310MXL 037	1	P		

No	Part No.	Description	PU	Note	Serial No.	
					from	to
107	5956214.001	Belt Tension Bracket	1			
108	5946238.001	Gear 29	1			
109	5906254.001	Belt 54MXL 037	1	T		
110	5903516.001	Snap Ring DIN471-8x0.8	10			
111	5901090.001	Ball Bearing DIN625-F608-ZZ	1			
112.1	5954182.001	Shaft	1	BP		
112.2	5970813.001	Shaft	1	T		
113	5907261.001	Belt 146MXL 037	1	P		
114	5977470.001	Roller	1	P		
115	5907267.001	Belt 129MXL 037	1	BT		
116	5977472.001	Gear	1	BT		
117	5954184.001	Shaft	1	P		

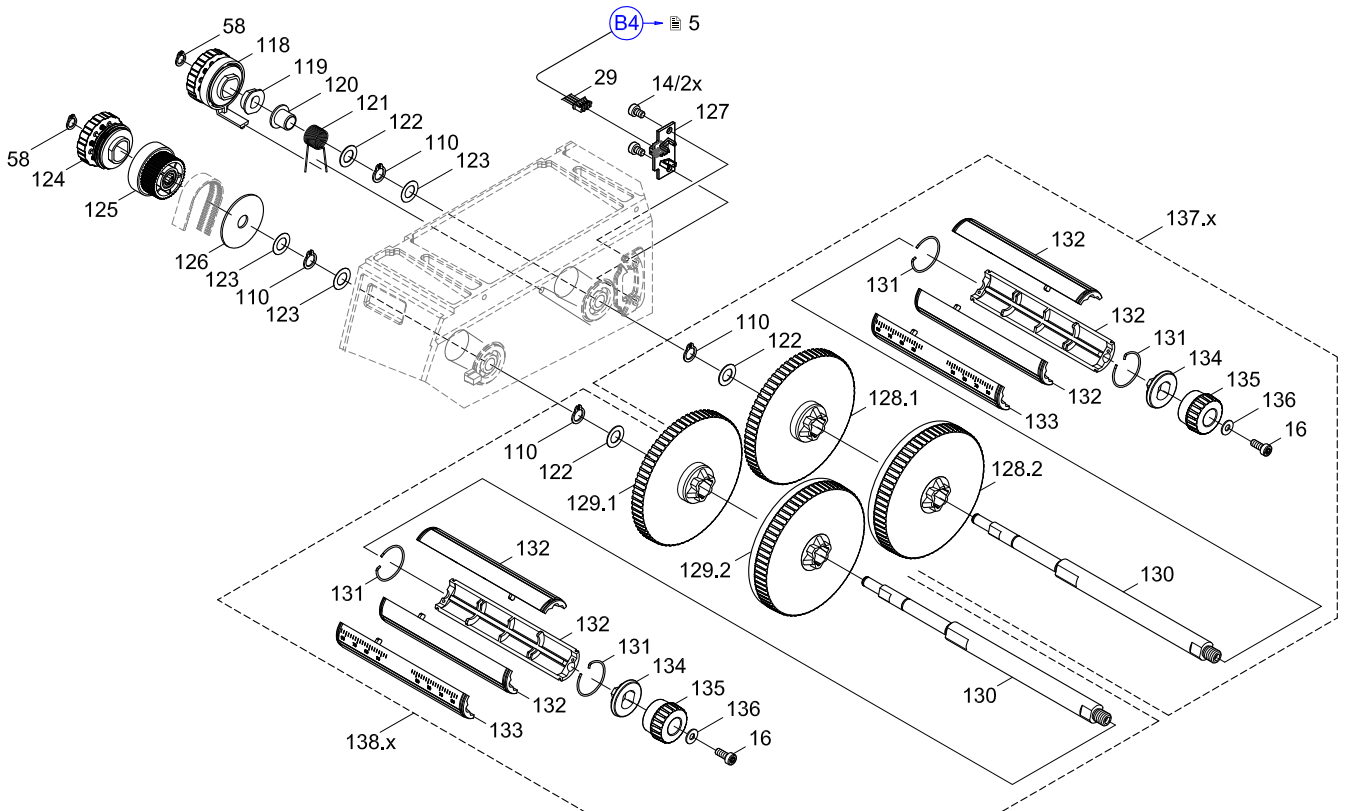
Notes	B	SQUIX 4/...
	P	SQUIX 4/...P
	T	SQUIX 4/...T
	L	SQUIX 4/4P
	M	SQUIX 4M/4MP/4MT



No	Part No.	Description	PU	Note	Serial No.	
					from	to
14	5902571.001	Screw DIN7984-M4x6	10			
16	5902592.001	Screw DIN7984-M4x10	10			
29	5977327.001	Cable Sensors	1			
58	5903521.001	Snap Ring DIN471-A6	10			
110	5903516.001	Snap Ring DIN471-8x0.8	10			
118	5954114.001	Brake	1			
119	5541172.001	Pivot Arm	1			
120	5901123.001	Plastic Bushing	10			
121	5954131.001	Spring	5			
122	5903020.001	Washer DIN988-8x14x0.5	10			
123	5903038.001	Washer DIN988-8x14x0.2	10			
124	5954113.001	Slipping Clutch	1			
125	5954115.001	Gear 42	1			
126	5903128.001	Washer 35x8.4x1.25	10			
127	5977314.001	Ribbon Sensor	1			

No	Part No.	Description	PU	Note	Serial No.	
					from	to
128.1	5977461.001	Wall Spacer	1	L		
128.2	5984439.001	Wall Spacer	1	M		
129.1	5977462.001	Wall Spacer	1	L		
129.2	5977476.001	Wall Spacer	1	M		
130	5977802.001	Shaft	1			
131	5954124.001	Snap Ring	10			
132	5954122.001	Shell	1			
133	5958595.001	Shell	1	M		
134	5954121.001	Cone	1			
135	5984438.001	Knurled Knob	1			
136	5903137.001	Washer DIN125-A4.3	10			
137.1	5977819.001	Ribbon Supply Hub	1	L		
137.2	5977823.001	Ribbon Supply Hub	1	M		
138.1	5977820.001	Ribbon Takeup Hub	1	L		
138.2	5977821.001	Ribbon Takeup Hub	1	M		

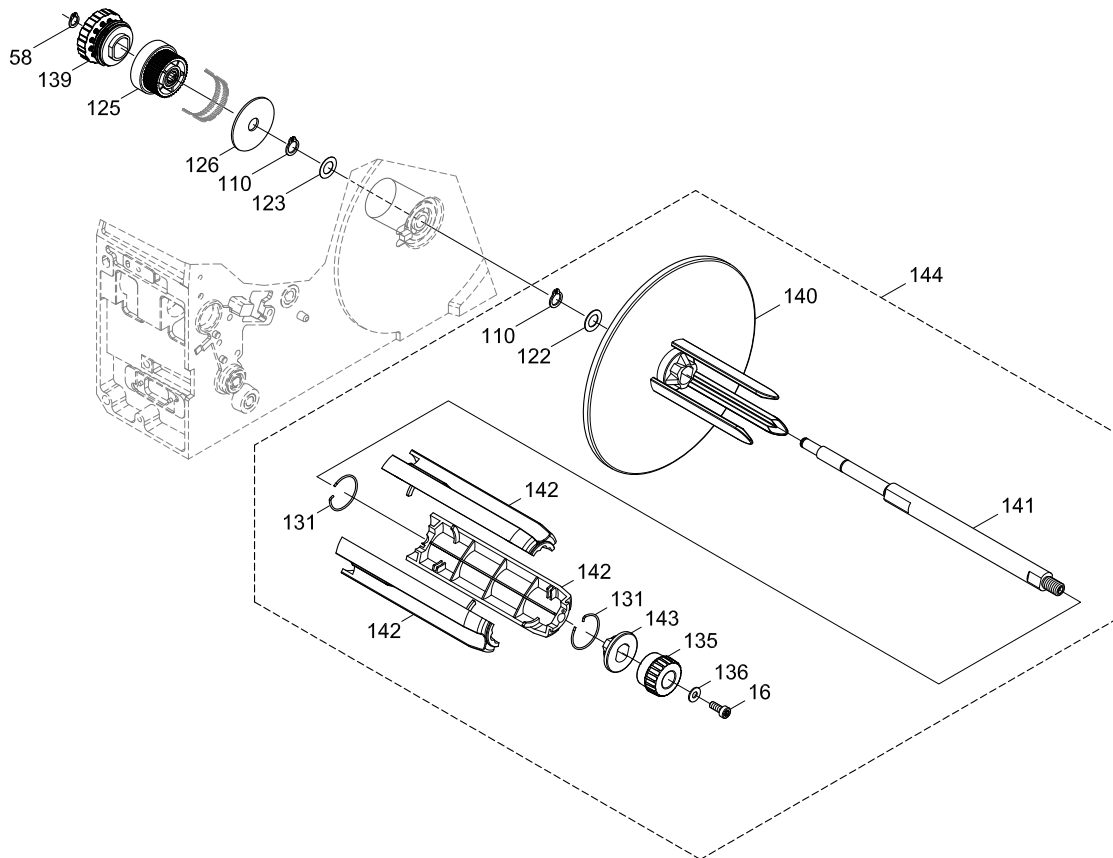
Notes	B	SQUIX 4/...
	P	SQUIX 4/...P
	T	SQUIX 4/...T
	L	SQUIX 4/4P
	M	SQUIX 4M/4MP/4MT



No	Part No.	Description	PU	Note	Serial No.	
					from	to
16	5902592.001	Screw DIN7984-M4x10	10	P		
58	5903521.001	Snap Ring DIN471-A6	10	P		
110	5903516.001	Snap Ring DIN471-8x0.8	10	P		
122	5903020.001	Washer DIN988-8x14x0.5	10	P		
123	5903038.001	Washer DIN988-8x14x0.2	10	P		
125	5954115.001	Gear 42	1	P		
126	5903128.001	Washer 35x8.4x1.25	10	P		
131	5954124.001	Snap Ring	10	P		

No	Part No.	Description	PU	Note	Serial No.	
					from	to
135	5984438.001	Knurled Knob	1	P		
136	5903137.001	Washer DIN125-A4.3	10	P		
139	5954146.001	Slipping Clutch	1	P		
140	5977475.001	Rewinder Wall Plate	1	P		
141	5977803.001	Shaft	1	P		
142	5954141.001	Shell	3	P		
143	5954143.001	Cone	1	P		
144	5977818.001	Internal Rewinder	1	P		

Notes	B	SQUIX 4/...
	P	SQUIX 4/...P
	T	SQUIX 4/...T
	L	SQUIX 4/4P
	M	SQUIX 4M/4MP/4MT



Pos.	Figure/Page										No.	Part No.	Description	PU	SPR				Notes	Serial No.	
			6	7	8	9										from	to				
1				6	7	8	9				53	5540637.001	Spring	10	-	-	-	-			
2										11	119	5541172.001	Pivot Arm	1	-	-	-	-			
3		4									22	5551162.001	Power Supply	1	-	-	-	C D			
4		4									24	5551312.001	PCB I/O Interface	1	-	-	-	-	P		
5		4									21	5551353.001	PCB CPU X4.2	1	-	-	-	C D			
6										9	89	5901060.001	Plastic Bushing	10	-	-	-	-	T		
7										9 10	85	5901071.001	Ball Bearing DIN625-F688-ZZ	1	-	-	-	-	T		
8										10	111	5901090.001	Ball Bearing DIN625-F608-ZZ	1	-	-	-	-			
9										11	120	5901123.001	Plastic Bushing	10	-	-	-	-	D		
10	3										4	5901575.001	Cable Clamp	10	-	-	-	-			
11	3										3	5901781.001	Cable Clamp	10	-	-	-	-			
12										9	98	5902007.001	Screw DIN912-M3x6	10	-	-	-	-	T		
13			5								42	5902010.001	Screw DIN912-M3x10	10	-	-	-	-			
14			5								35	5902011.001	Screw DIN912-M3x20	10	-	-	-	-			
15	3	4		6	7	8	9				1	5902241.001	Screw DIN7984-M4x10	10	-	-	-	-	BP		
16										9	78	5902358.001	Screw DIN7984-M4x6	10	-	-	-	-	T		
17			5	6	7	8	9				33	5902457.001	Screw DIN7985-M2x10	10	-	-	-	-			
18	3		5							11	14	5902571.001	Screw DIN7984-M4x6	10	-	-	-	-			
19	3	4	5	6	7	8	9	10	11	12	16	5902592.001	Screw DIN7984-M4x10	10	-	-	-	-			
20										10	100	5902816.001	Screw EJOT-PT-K40x10	10	-	-	-	-	M		
21				6	7	8					69	5902817.001	Screw sim. ISO7380-M4x6	10	-	-	-	-	P		
22										11 12	122	5903020.001	Washer DIN988-8x14x0.5	10	-	-	-	-			
23										9	84	5903035.001	Washer DIN988-8x14x1.0	10	-	-	-	-	T		
24										11 12	123	5903038.001	Washer DIN988-8x14x0.2	10	-	-	-	-			
25										8 9	74	5903091.001	Washer DIN988-5x8x0.5	10	-	-	-	-			
26										9	94	5903103.001	Washer DIN988-3x6x1.0	10	-	-	-	-	T		
27										11 12	126	5903128.001	Washer 35x8.4x1.25	10	-	-	-	-			
28										11 12	136	5903137.001	Washer DIN125-A4.3	10	-	-	-	-			
29										9	82	5903501.001	E-Ring DIN6799-7	10	-	-	-	-	T		
30										10 11 12	110	5903516.001	Snap Ring DIN471-8x0.8	10	-	-	-	-			
31				6	7	8				10 11 12	58	5903521.001	Snap Ring DIN471-A6	10	-	-	-	-	P		
32	3										9	5904915.001	Screw DIN7984-M4x8	10	-	-	-	-			
33	3		5	6	7	8				10	10	5904916.001	Screw DIN7984-M4x16	10	-	-	-	-			
34										8 9	73	5905570.001	O-Ring 5x1.5	10	-	-	-	-			
35										10	105	5905827.001	Belt 155MXL 037	1	-	-	-	C D	BT		
36										9	92	5906133.001	Spring	10	-	-	-	-	T		
37			5								37	5906136.001	Spring	5	-	-	-	-			
38			5								31	5906209.001	Ferrite	1	-	-	-	-			5787
39										10	109	5906254.001	Belt 54MXL 037	1	-	-	-	C D	T		
40				6	7	8					57	5906262.001	Spring	1	-	-	-	-	P		
41										10	106	5906322.001	Belt 310MXL 037	1	-	-	-	C D	P		
42										10	113	5907261.001	Belt 146MXL 037	1	-	-	-	C D	P		
43										10	115	5907267.001	Belt 129MXL 037	1	-	-	-	C D	BT		
44										10	99	5907723.001	Adhesive Plate	1	-	-	-	-			
45										9	83	5943120.001	Gear 28	1	-	-	-	-	T		
46			5								49	5946113.001	Allen Key	1	-	-	-	-			
47										10	108	5946238.001	Gear 29	1	-	-	-	-			
48										9	80	5952698.001	Switch	1	-	-	-	-	T		
49			5								43	5954044.001	Roller	1	-	-	-	-			
50										11	124	5954113.001	Slipping Clutch	1	-	-	B C	D			
51										11	118	5954114.001	Brake	1	-	-	B C	D			
52										11 12	125	5954115.001	Gear 42	1	-	-	-	-			
53										11	134	5954121.001	Cone	1	-	-	-	-	D		
54										11	132	5954122.001	Shell	1	-	-	-	-	D		
55										11 12	131	5954124.001	Snap Ring	10	-	-	B C	D			
56										11	121	5954131.001	Spring	5	-	-	-	-			
57										12	142	5954141.001	Shell	3	-	-	-	-	P		
58										12	143	5954143.001	Cone	1	-	-	-	-	D	P	
59										12	139	5954146.001	Slipping Clutch	1	-	-	B C	D	P		
60				6	7	8	9				52	5954180.001	Drive Roller DR4	1	A	B	C	D			
61										10	112.1	5954182.001	Shaft	1	-	-	-	-	BP		
62				6	7	8					67	5954183.001	Roller RR4	1	-	-	-	C D	P		
63										10	117	5954184.001	Shaft	1	-	-	-	-	P		

PU Package unit
 SPR Recommendation
 A - wearing parts and accessories
 B - recommended spare parts for quick repair
 C - recommended spare parts for distributors
 D - recommended spare parts for central stores
 Notes
 B SQUIX 4/...
 P SQUIX 4/...P
 T SQUIX 4/...T
 L SQUIX 4/4P
 M SQUIX 4M/4MP/4MT
 S Standard
 E for ESD sectors
 F for the food industry

Pos.	Figure/Page									No.	Part No.	Description	PU	SPR					Notes	Serial No.	
	1	2	3	4	5	6	7	8	9					from	to						
127					5					39.2	5977514.001	Printhead Locking System	1	-	-	-	-	M			
128					5					39.1	5977516.001	Printhead Locking System	1	-	-	-	-	L			
129					6	7	8			64	5977531.001	Label Sensor	1	-	-	B	C	D			
130					5					38	5977536.001	Roller Ribbon	1	-	-	-	-				
131					6	7	8	9		54	5977554.001	Locking	1	-	-	-	-				
132					5					41.2	5977561.001	Printhead Mounting Bracket	1	-	-	-	-	M			
133									10	104	5977562.001	Cap	1	-	-	-	-	L			
134	3									7	5977568.001	Hinge	1	-	-	-	-	B			
135	3									8	5977569.001	Hinge	1	-	-	-	-	B			
136	3									13.1	5977570.001	Cover	1	-	-	-	-	S			
137	3									13.2	5977570.002	Cover	1	-	-	-	-	E			
138		4								23	5977576.001	Cover	1	-	-	-	-	BT			
139					6	7	8			60	5977577.001	Axle	1	-	-	-	-				
140					6	7	8			63	5977578.001	Roller	1	-	-	-	-				
141					5					34	5977591.001	Clamp	1	-	-	-	-				
142								9		88	5977596.001	Distance Bolt	1	-	-	-	-	T			
143	3									15.2	5977763.001	Hinged Cover	1	-	-	-	-	E			
144	3									15.3	5977764.001	Hinged Cover	1	-	-	-	-	F			
145							8			76	5977793.001	Swing	1	-	-	-	-		5000		
146					6					62	5977794.001	Swing	1	-	-	-	-				
147									11	130	5977802.001	Shaft	1	-	-	-	-				
148									12	141	5977803.001	Shaft	1	-	-	-	-	P			
149						7				71	5977816.001	Swing	1	-	-	-	-			4999	
150									12	144	5977818.001	Internal Rewinder	1	-	-	-	-	P			
151									11	137.1	5977819.001	Ribbon Supply Hub	1	-	-	-	-	L			
152									11	138.1	5977820.001	Ribbon Takeup Hub	1	-	-	-	-	L			
153									11	138.2	5977821.001	Ribbon Takeup Hub	1	-	-	-	-	M			
154									11	137.2	5977823.001	Ribbon Supply Hub	1	-	-	-	-	M			
155	3									11	5977846.001	Baseplate	1	-	-	-	-				
156		4								27	5978912.001	USB WiFi Stick	1	-	-	-	-		2000		
157								10		101	5978914.001	Media Hub	1	-	-	-	-	M			
158		4								25	5978958.001	Strip	1	-	-	-	-				
159									11 12	135	5984438.001	Knurled Knob	1	-	-	-	-	D			
160									11	128.2	5984439.001	Wall Spacer	1	-	-	-	-	M			
161							9			81	5984440.001	Side Plate	1	-	-	-	-	T			
162							9			79	5984782.001	Antistatic Brush	1	-	-	-	-	T			

10 Packaging/Accessories

Pos.	Figure/Page									No.	Part No.	Description	PU	SPR					Notes	Serial No.	
	1	2	3	4	5	6	7	8	9					from	to						
163										-	5550611.001	Power Cable Type E+F	1	-	-	-	-				
164										-	5901655.001	Cable USB	1	-	-	-	-				
165										-	5984304.001	Packaging	1	-	-	-	-				

PU Package unit

SPR Recommendation

- A - wearing parts and accessories
- B - recommended spare parts for quick repair
- C - recommended spare parts for distributors
- D - recommended spare parts for central stores

Notes

- B SQUIX 4/...
- P SQUIX 4/...P
- T SQUIX 4/...T
- L SQUIX 4/4P
- M SQUIX 4M/4MP/4MT

- S Standard
- E for ESD sectors
- F for the food industry