



RW316
Rev. 00 [05-
2019]

Stainless Steel Trefoil Cable Cleat

Cable Cleat for the Protection and Support
of Insulated Power Cables in Trefoil Arrangement

INSTALLATION INSTRUCTIONS

© Panduit Corp. 2019



**TO REDUCE THE RISK OF INJURY, USER
MUST READ INSTALLATION INSTRUCTIONS
BEFORE ATTEMPTING TO INSTALL**


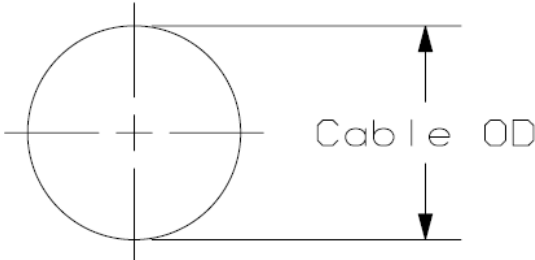
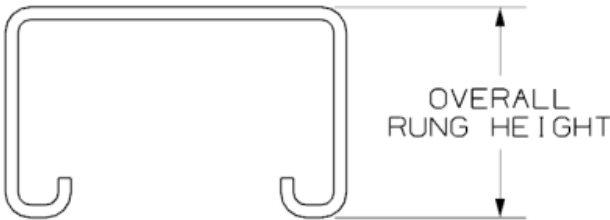


NOTE: *In the interest of higher quality and value, Panduit products are continually being improved and updated. Consequently, pictures may vary from the enclosed product.*

NOTE: *Updates to this Installation Instructions may be available. Check www.panduit.com for the latest version of this manual.*

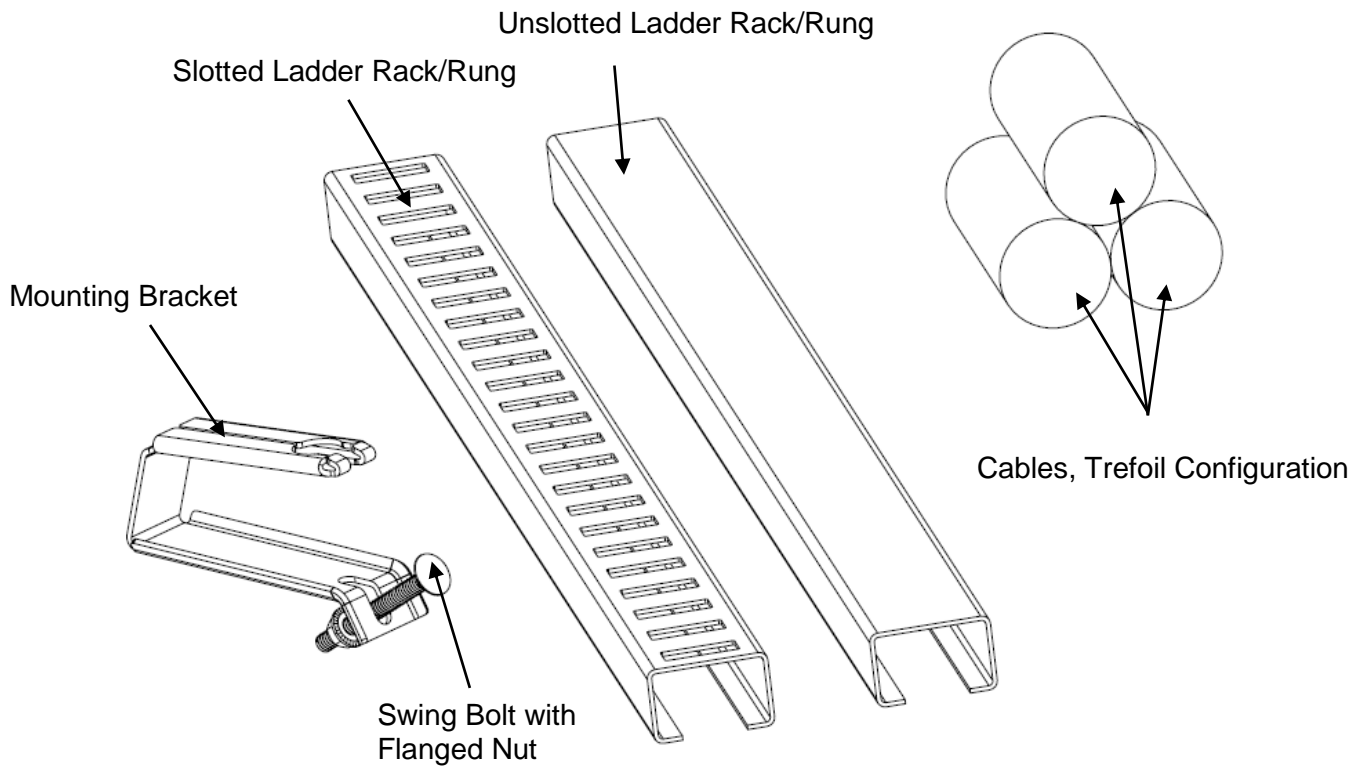
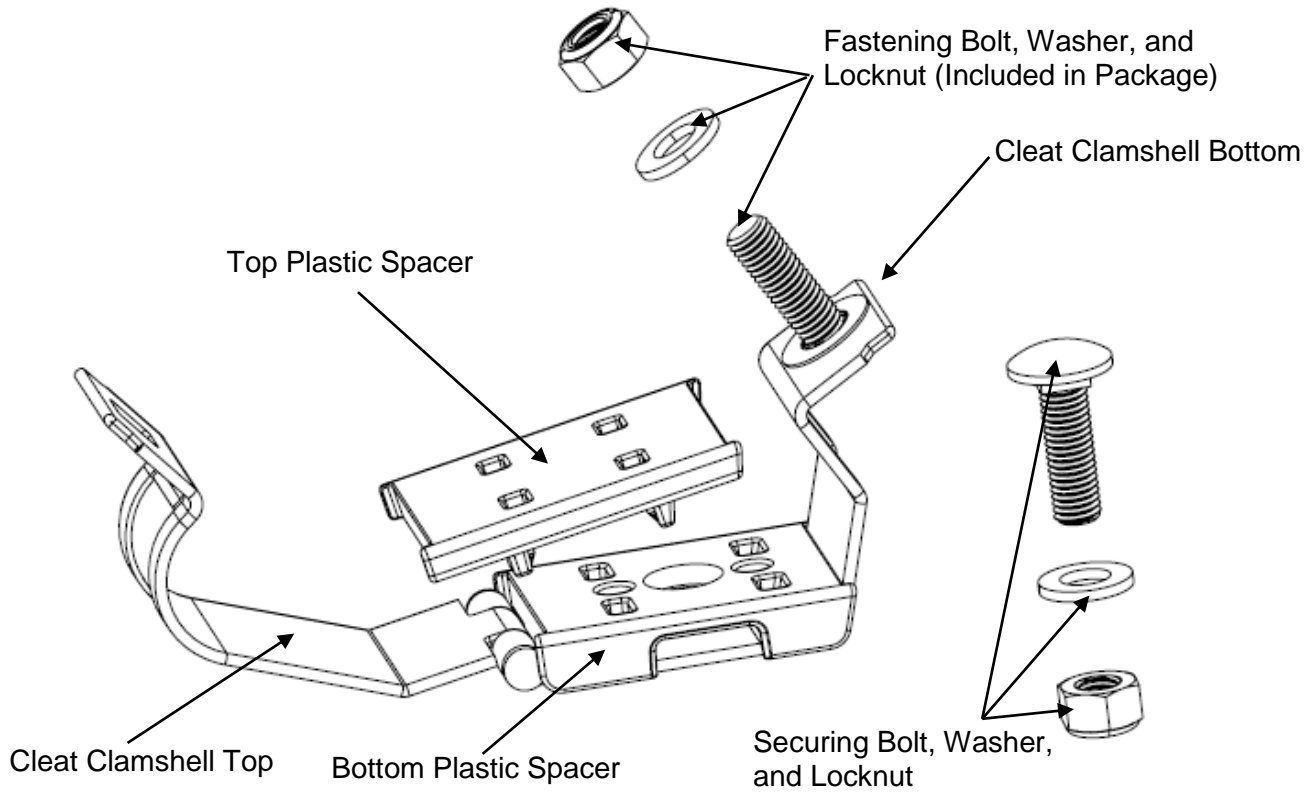
<p>Email: techsupport@panduit.com</p> <p>EU Website: www.panduit.com/emea</p> <p>EU Email: emeatoolservicecenter@panduit.com</p>	 www.panduit.com	<p style="text-align: center;">Panduit Corp. USA Technical Support Tel: 800-777-3300</p> <p style="text-align: center;">Panduit Europe • EMEA Service Center Tel: +31 546 580 452 • Fax: +31 546 580 441</p>
--	--	--

Preparing for Order

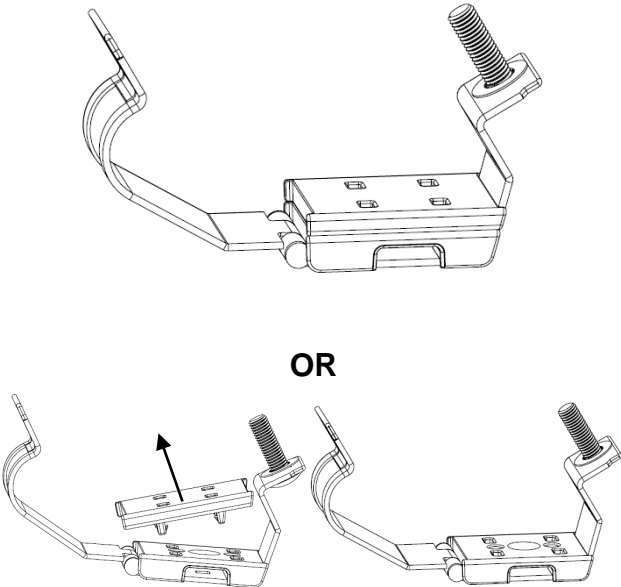
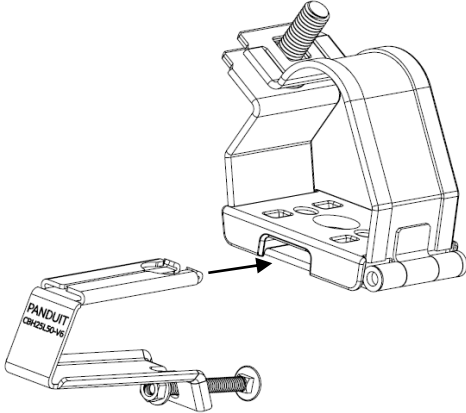
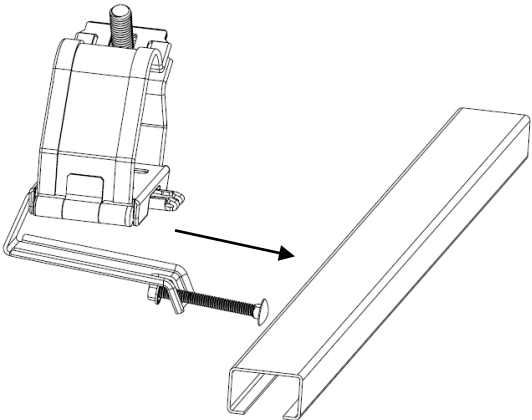
Step	Picture	Description
1	 Contact Us	Contact Panduit Sales for assistance with cleat and hardware selection.
2		Measure actual diameter of the cables. Select a cleat part number based on the actual diameter of the cables.
3		Measure height of the ladder rung. If using a bracket, reference chart below. If using a bolt, procure M8 or 5/16" carriage bolts, washers, and nylon locknuts with sufficient length to pass through the ladder rung.

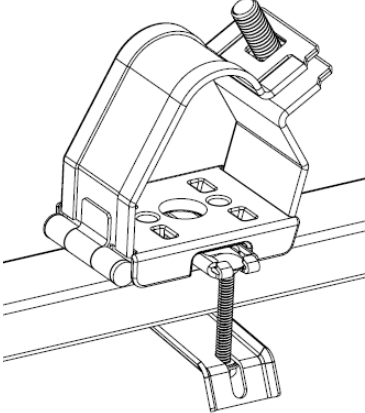
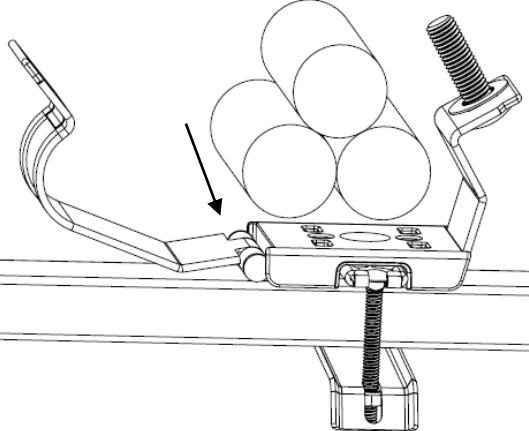
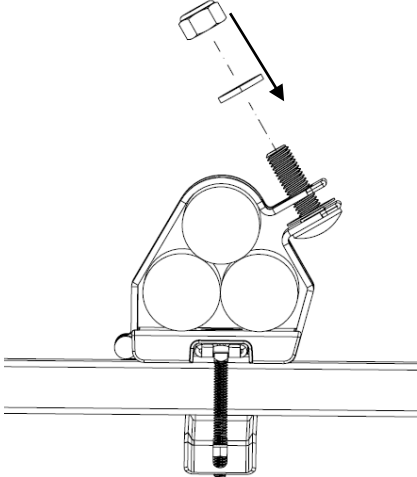
Rung Height	Bracket Family Number
15mm (.59") or less	CBH15L50-V6
15mm (.59") to 20mm (.79")	CBH20L50-V6
20mm (.79") to 25mm (.98")	CBH25L50-V6
25mm (.98") to 30mm (1.16")	CBH30L50-V6

Cable Cleat Nomenclature

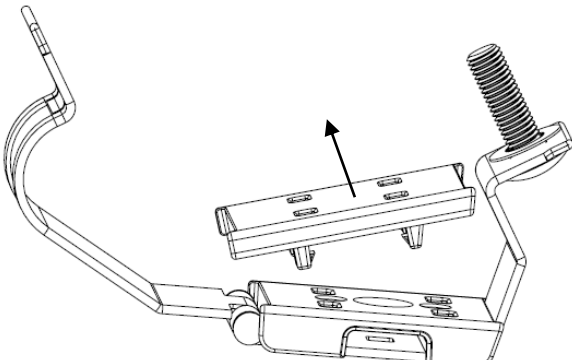
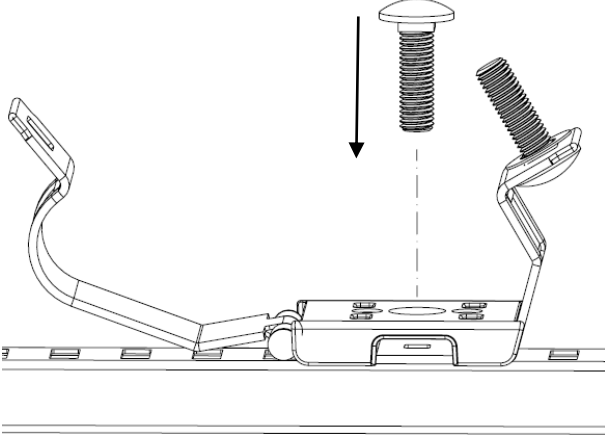
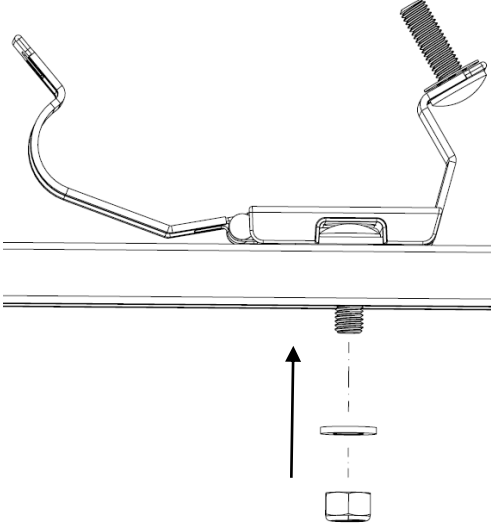


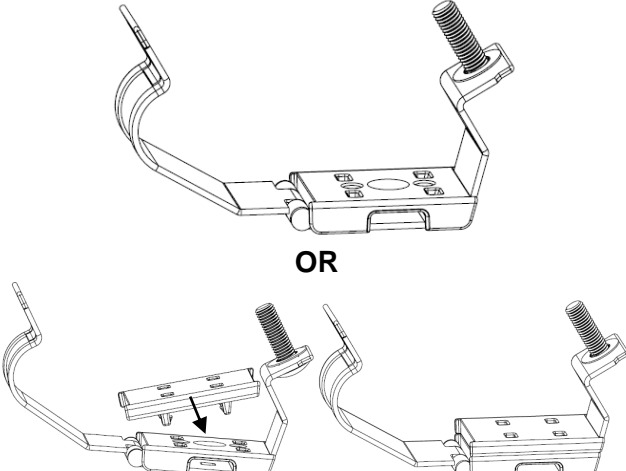
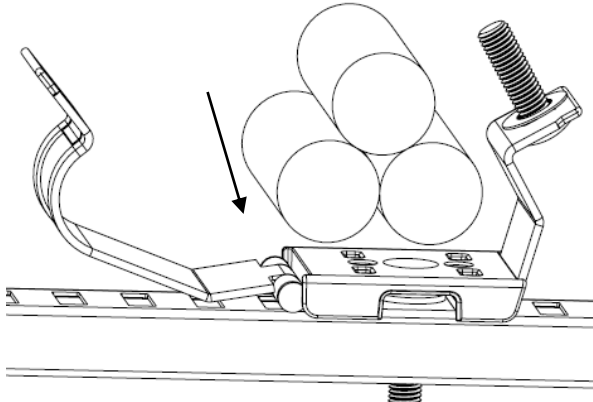
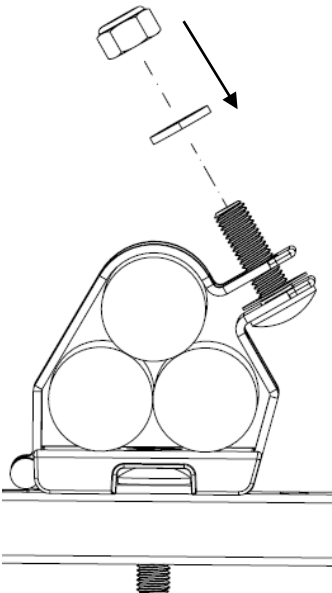
Mounting Method 1: Bracket

Step	Picture	Description
1		<p>Measure the cable diameter. Remove top plastic spacer depending on cable diameter. See table on page 8.</p>
2		<p>Insert bracket into slot in lower plastic spacer of cable cleat.</p>
3		<p>Slide cleat over rung until centered, with bracket encompassing the rung.</p>

<p>4</p>		<p>Rotate swing bolt until the carriage head rests within the matching opening in the top of the bracket. Tighten flange nut to 60 in-lbs [6.8Nm].</p>
<p>5</p>		<p>Open top clamshell and place trefoil cables in the opening in a trefoil configuration. Close top clamshell around the cables.</p>
<p>6</p>		<p>Assemble included nut and washer onto the securing bolt. Tighten to 15 ft-lbs [20.3Nm].</p>

Mounting Method 2: Bolt

Step	Picture	Description
1		<p>Remove top plastic spacer to allow access to the bolt hole.</p>
2		<p>Position cleat over the appropriate hole in the rung. Assemble securing carriage bolt through the hole in the bottom of the cleat.</p>
3		<p>Tighten securing bolt to 120 in-lbs [13.6Nm].</p>

<p>4</p>	 <p>OR</p>	<p>Measure the cable diameter. Remove top plastic spacer depending on cable diameter. See table on page 8.</p>
<p>5</p>		<p>Open top clamshell and place cables in the opening in a trefoil configuration. Close top clamshell around the cables.</p>
<p>6</p>		<p>Assemble included nut and washer onto the securing bolt. Tighten to 15 ft-lbs [20.3Nm].</p>

Spacer Decision Table

Part Number	Cable Range	Use Top Spacer	Discard Top Spacer
CCSSTR2025-X	20 – 25mm	20 – 22.5mm	22.5 – 25mm
CCSSTR2328-X	23 – 28mm	23 – 25.5mm	25.5 – 28mm
CCSSTR2632-X	26 – 32mm	26 – 29mm	29 – 32mm
CCSSTR3036-X	30 – 36mm	30 – 33mm	33 – 36mm
CCSSTR3440-X	34 – 40mm	34 – 37mm	37 – 40mm
CCSSTR3844-X	38 – 44mm	38 – 41mm	41 – 44mm
CCSSTR4248-X	42 – 48mm	42 – 45mm	45 – 48mm
CCSSTR4652-X	46 – 52mm	46 – 49mm	49 – 52mm
CCSSTR5057-X	50 – 57mm	50 – 53.5mm	53.5 – 57mm
CCSSTR5461-X	54 – 61mm	54 – 57.5mm	57.5 – 61mm
CCSSTR5865-X	58 – 65mm	58 – 61.5mm	61.5 – 65mm
CCSSTR6269-X	62 – 69mm	62 – 65.5mm	65.5 – 69mm