

Uninsulated heavy duty open end ring terminals

A range of uninsulated heavy duty copper brazed sheet ring terminals, that are commonly used in applications where cables are carrying higher currents. Manufactured from high grade electro tin plated copper ensuring excellent conductivity properties.



Part Number	Wire Size (mm ²)	Pack Size (pcs)	Barrel Ext Dia. (D)	Barrel Int Dia. (d)	Stud Dia. (S)	Ring Dia. (R)	Barrel to Stud (L1)	Barrel Length (L2)	Total Length (L3)
EHUR10-6	10	100	7.2	4.5	6.6	12.0	9.3	8.5	23.8
EHUR10-8		100	7.2	4.5	8.5	15.0	13.8	8.5	29.8
EHUR10-10		100	7.2	4.5	10.6	15.0	13.8	8.5	29.8
EHUR16-6	16	100	9.0	5.8	6.6	12.0	13.3	10.5	29.8
EHUR16-8		100	9.0	5.8	8.5	16.0	14.2	10.5	32.5
EHUR16-10		100	9.0	5.8	10.6	22.0	14.2	10.5	32.5
EHUR16-12		100	9.0	5.8	13.0	16.5	19.8	10.5	41.0
EHUR25-6	25	100	11.5	7.7	6.6	16.5	13.5	12.0	33.5
EHUR25-8		100	11.5	7.7	8.5	16.5	13.5	12.0	33.5
EHUR25-10		100	11.5	7.7	10.6	16.5	13.5	12.0	33.5
EHUR25-12		100	11.5	7.7	13.0	22.0	19.7	12.0	42.5
EHUR35-6	35	100	13.3	9.4	6.6	22.0	17.7	14.0	42.7
EHUR35-8		100	13.3	9.4	8.5	22.0	17.7	14.0	42.7
EHUR35-10		100	13.3	9.4	10.6	22.0	17.7	14.0	42.7
EHUR35-12		100	13.3	9.4	13.0	22.0	17.7	14.0	42.7
EHUR50-8	50	100	15.4	11.4	8.5	22.0	20.7	18.0	49.7
EHUR50-10		100	15.4	11.4	10.6	22.0	20.7	18.0	49.7
EHUR50-12		100	15.4	11.4	13.0	22.0	20.7	18.0	49.7
EHUR70-8	70	100	17.5	13.3	8.5	24.0	20.0	18.0	50.0
EHUR70-10		100	17.5	13.3	10.6	24.0	20.0	18.0	50.0
EHUR70-12		100	17.5	13.3	13.0	24.0	20.0	18.0	50.0
EHUR95-10	95	100	22.1	16.4	8.5	28.5	20.4	21.0	55.6
EHUR95-12		100	22.1	16.4	10.6	32.0	20.4	21.0	55.6
EHUR95-14		100	22.1	16.4	13.0	32.0	32.0	21.0	69.0

Uninsulated heavy duty pin terminals

A range of uninsulated heavy duty pin terminals, that are widely used for cables carrying higher currents. Manufactured from high grade electro tin plated copper ensuring excellent conductivity properties. These terminals have a brazed seam.



Part Number	Wire Size (mm ²)	Pack Size (pcs)	Barrel Ext Dia. (D)	Barrel Int Dia. (d)	Pin Length (L1)	Pin Width (W)	Pin Height (H)	Barrel Length (L2)	Total Length (L3)
EHUP10-12	10	10	6.9	4.5	12	4.3	2.4	8.0	22.0
EHUP16-13	16	10	8.4	5.8	13	5.5	2.6	10.0	26.0
EHUP25-15	25	10	9.5	7.0	15	6.8	2.6	13.5	33.5
EHUP35-20	35	10	11.8	8.4	20	8.0	3.2	16.0	40.5
EHUP50-20	50	10	13.6	9.6	20	9.5	3.8	19.0	45.0
EHUP70-25	70	10	15.8	11.4	23	11.0	4.2	24.0	55.0

Technical Data



Material

Body : Copper

Plating : Bright electro tin

Features

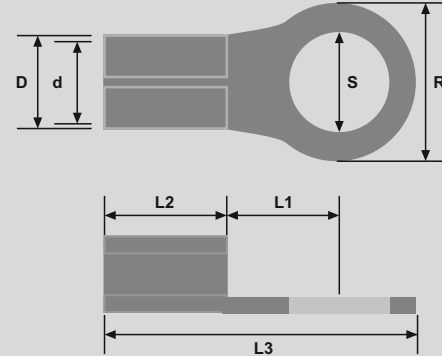
Suitable for heavy duty applications

For cables carrying higher currents

Excellent conductivity

Corrosion resistant

Brazed seam



Technical Data



Material

Body : Copper

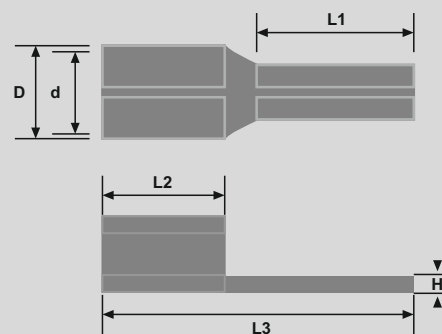
Plating : Bright electro tin

Features

For cables carrying higher currents

Excellent conductivity

Corrosion resistant



To purchase these products visit us online at www.expresselectrical.co.uk