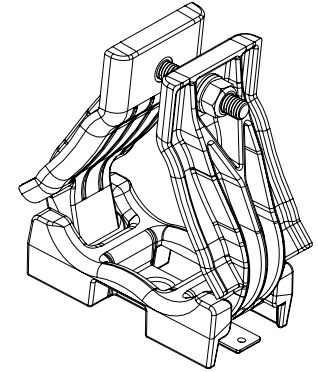


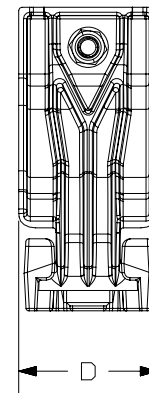
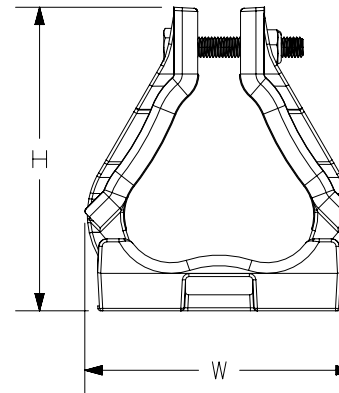
THIS COPY IS PROVIDED ON A RESTRICTED BASIS AND IS NOT TO BE USED IN ANY WAY DETRIMENTAL TO THE INTERESTS OF PANDUIT CORP.

NOTES:

1. VISIT OUR ON-LINE CATALOG AT WWW.PANDUIT.COM FOR A LIST OF CURRENT PARTS APPLICABLE FOR USE WITH THIS PRODUCT.
2. DIMENSIONS IN [ ] ARE METRIC.
3. ALL MATERIALS AND COMPONENTS USED MEET THE MATERIAL RESTRICTIONS OF RoHS (EUROPEAN DIRECTIVE 2011/65/EU ON THE RESTRICTION OF HAZARDOUS SUBSTANCES) AS PROPOSED BY THE RoHS TECHNICAL ADAPTATION COMMITTEE.
4. CASTINGS ARE ALUMINUM. FASTENERS ARE METRIC GRADE 8 GALVANIZED STEEL.
5. MEETS IEC 61914:2015 SPECIFICATIONS.
6. MOUNTING FASTENERS AND INSULATING MATERIALS ARE NOT INCLUDED IN THE PACKAGE AND MUST BE PURCHASED SEPARATELY.
7. SELECT M8 BOLT LENGTH SUITABLE FOR THE RUNG.
8. CABLE CLEAT BRACKET, PART NUMBER CBH##L##-V6, IS SOLD SEPARATELY.
9. CONTACT PANDUIT SALES FOR CUSTOMIZED SOLUTIONS.



PART NUMBER	CABLE DIAMETER RANGE in. [ mm ]	"H" in. [ mm ]	"W" in. [ mm ]	"D" in. [ mm ]	WEIGHT lb [ g ]	MOUNTING HOLES
CCALTR2326-X	0.91-1.02 [ 23-26 ]	3.90 [ 99 ]	3.98 [ 101 ]	2.17 [ 55 ]	0.77 [ 348 ]	1 × M8
CCALTR2528-X	0.98-1.10 [ 25-28 ]	4.06 [ 103 ]	4.13 [ 105 ]	2.17 [ 55 ]	0.80 [ 364 ]	1 × M8
CCALTR2730-X	1.06-1.18 [ 27-30 ]	4.17 [ 106 ]	3.86 [ 98 ]	2.17 [ 55 ]	0.78 [ 356 ]	1 × M8
CCALTR2932-X	1.14-1.26 [ 29-32 ]	4.33 [ 110 ]	3.89 [ 98 ]	2.17 [ 55 ]	0.80 [ 364 ]	1 × M8
CCALTR3135-X	1.22-1.38 [ 31-35 ]	4.53 [ 115 ]	3.98 [ 101 ]	2.17 [ 55 ]	0.84 [ 383 ]	1 × M8
CCALTR3438-X	1.34-1.50 [ 34-38 ]	4.72 [ 120 ]	4.09 [ 104 ]	2.17 [ 55 ]	0.85 [ 389 ]	1 × M8
CCALTR3741-X	1.46-1.61 [ 37-41 ]	4.96 [ 126 ]	4.45 [ 113 ]	2.17 [ 55 ]	0.90 [ 410 ]	1 × M8
CCALTR4044-X	1.57-1.73 [ 40-44 ]	5.20 [ 132 ]	4.69 [ 119 ]	2.17 [ 55 ]	0.96 [ 434 ]	1 × M8
CCALTR4347-X	1.69-1.85 [ 43-47 ]	5.39 [ 137 ]	4.88 [ 124 ]	2.17 [ 55 ]	1.04 [ 473 ]	1 × M8
CCALTR4651-X	1.81-2.01 [ 46-51 ]	5.71 [ 145 ]	5.20 [ 132 ]	2.17 [ 55 ]	1.12 [ 508 ]	1 × M8
CCALTR5056-X	1.97-2.20 [ 50-56 ]	6.06 [ 154 ]	5.55 [ 141 ]	2.17 [ 55 ]	1.21 [ 548 ]	1 × M8
CCALTR5561-X	2.17-2.40 [ 55-61 ]	6.42 [ 163 ]	5.98 [ 152 ]	2.17 [ 55 ]	1.30 [ 589 ]	1 × M8
CCALTR6067-X	2.36-2.64 [ 60-67 ]	6.89 [ 175 ]	6.42 [ 163 ]	2.17 [ 55 ]	1.41 [ 641 ]	1 × M8
CCALTR6675-X	2.60-2.95 [ 66-75 ]	7.48 [ 190 ]	7.09 [ 180 ]	2.17 [ 55 ]	1.56 [ 711 ]	1 × M8



TITLE						ALUMINUM TREFOIL CABLE CLEAT					
CUSTOMER DRAWING											
ITEM REVISION NAME			00017EAS/00			DRAWING NUMBER			00017EAS_DC		
DATASET FILE NAME			00017EAS_DC/00B			MATERIAL			ALUMINUM		
THIRD ANGLE PROJECTION			DRAWN BY			DATE			SCALE		
			KEC			08/02/18			1:3		
SHEET 1 OF 1			JBN			A					

00A	03/13/19	KEC	BBEA	GBI	RELEASED	041915
REV	DATE	BY	CHK	APR	DESCRIPTION	ECN

B

B

A

A

A-SIZE CUSTOMER