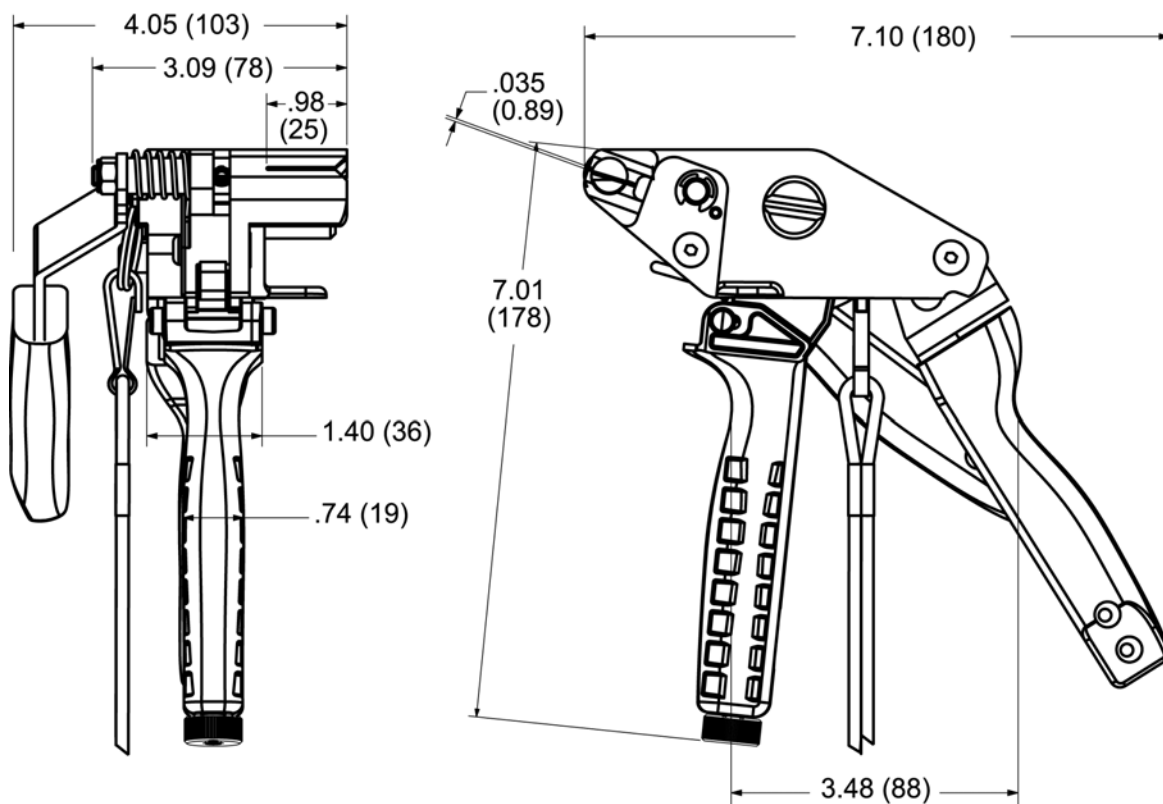


THIS COPY IS PROVIDED ON A RESTRICTED BASIS AND IS NOT TO BE USED IN ANY WAY DETRIMENTAL TO THE INTERESTS OF PANDUIT CORP.



NOTES, UNLESS OTHERWISE SPECIFIED:
 PANDUIT TOOL NUMBER RT2HT IS USED TO
 INSTALL COATED & UNCOATED PAN-STEEL
 MLTEH, MLTEH15 AND MLTSH TIES.

THIS TOOLS' FEATURES INCLUDE:

- Single handle trigger for fast installation
- Cable tie side entry for immediate positioning of tie and tool
- Adjustable controlled or Installer controlled tension
- Cut-off capability with the cutter and cutter handle
- Easy removal of excess tie
- Multi-position rear handle allows access to tight areas.
- Features to release & remove tie from tool before cutting.

CABLE TIE CROSS-SECTION CODE:

MLTEH MLTEH15 MLTSH

TOOL WEIGHT: 2.5 lbs. (40 oz.)
 Dimensions shown in parenthesis are metric.

F:\wrkgrp\rvusers\ENGR DOCS-NEW\ CUSTDWG\TM25754A01_00 RT2HT.doc

00	4-25-08	BLR	BJPU	RELEASED	4288	--	ABJ		
REV	DATE	BY	CHK'D	DESCRIPTION	ECN	-R	CUST	SUP	

PANDUIT CORP. TINLEY PARK, ILLINOIS

RT2HT CUSTOMER DRAWING

UNLESS OTHERWISE SPECIFIED, DIMENSIONAL TOLERANCES ARE:
 (.x) ± --- (.xxx) ± ---
 (.xx) ± --- ANGLES ± ---

UNLESS OTHERWISE SPECIFIED, ALL DIMENSIONS ARE GIVEN IN INCHES, THIRD ANGLE PROJECTION.

DRAWN BY: BLR MATL: SCALE: NONE

DATE: 4-25-08 SHEET 1 OF 1 DRAWING NO. TM25754A01 DWG A SIZE

CHK'D: BJPU