

Accessories for cable trunking

Rivets PLIO® and rivet punches SES

Lock stud PLIO®



PLIO®



PLIO GT & GS

Material: POM / PA6.6 / PA12
Colours: black - transparent
Operating temperatures: -40 to +90°C / +85°C / +60°C
Application: for quick fastening of trunking and other products.

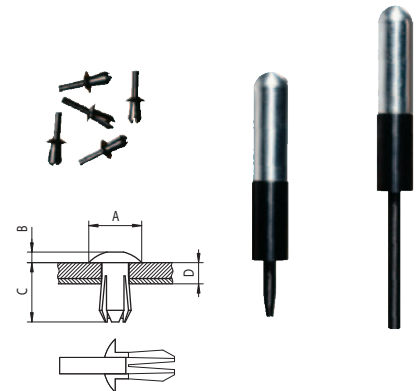


Example for order:

Colours: 010 018

code group	detail article	code colour
0635	0XXXXXX	XXXXX

type	article number	bore Ø mm	riveting thickness (D) mm	material	dimensions (mm)			
					A	B	C	
PLIO-GT rivets								
GT 32	0635 0002 ***	3,2	3 - 4	POM	4,8	1,3	6,2	100
GT 35	0635 0003 ***	3,5	4 - 5	POM	7	1,5	8,4	100
GT 50	0635 0001 ***	5	5 - 6	PA 12	10	2	11	100
GT 62	0635 0004 ***	6,2	5 - 6	PA 12	10	2	12	100

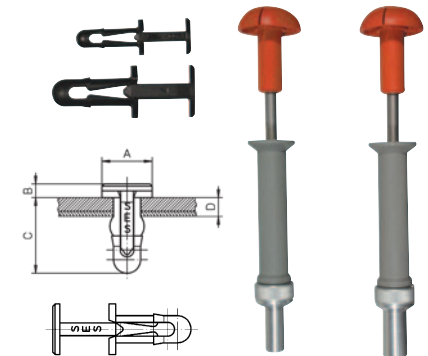


SES-GO rivet punch for PLIO-GT rivet

GO-1	0412 0001 000	for GT 32 & GT 35 rivets	1
GO-2	0412 0002 000	for GT 50 & GT 62 rivets	1

PLIO-GS rivets (very good resistance against elongation)

GS 40	0635 0011 ***	4	3 - 6	PA6.6	7,5	2,5	13,2	100
GS 60	0635 0012 ***	6	3 - 6	PA6.6	11	3	16,5	100

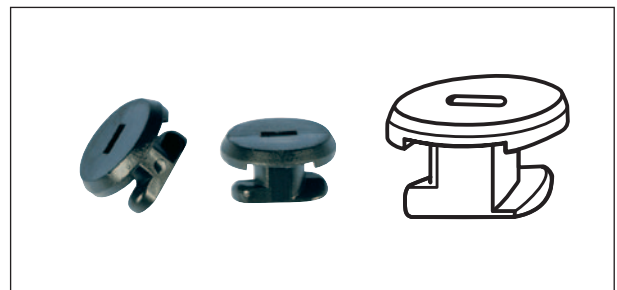


SES-GO rivet punch for PLIO GS rivet

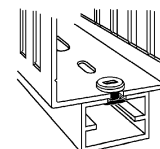
GO-3	0412 0003 000	for GS 40 rivet	1
GO-4	0412 0004 000	for GS 60 rivet	1

PLIO GZ-01

Material: polyamide 12
Colour: black
Operating temperatures: -40 to +60°C
Specification: HB UL94
Application: for a fast fixing of our GN and GF trunking on base plates or aluminium profiles.



type	article number	
GZ-01	0845 0901 010	100



Accessories for cable trunking
PLIO® clamping bracket
PLIOBANDE double sided adhesive tape



PLIO®

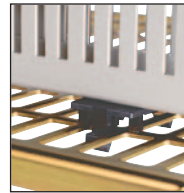


PLIO GZ-02

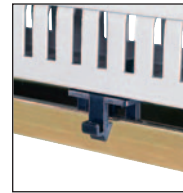
Material: polyamide 6.6
Colour: black
Operating temperatures: -40 to +80°C
Specification: V0 UL94
Application: for clamping cable trunking to:
 - metallic rail DIN 35 x 7,5
 - rail 35 X 15 mm to NF EN 50022
 - combined profile TE AMI-ED 20
 - perforated base plate or similar



type	article number	
Clamping bracket PLIO		
GZ-02	0845 0902 010	20



clamped to perforate plate



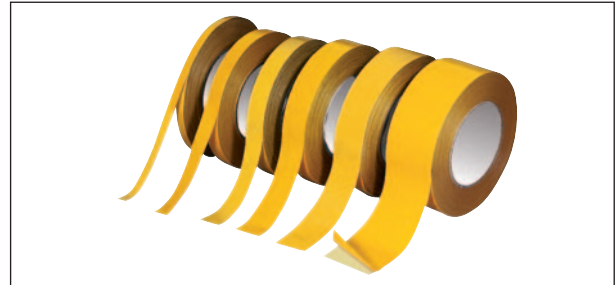
clamped to DIN rail




easily dismantled with screwdriver

PLIOBANDE

Material: double sided adhesive tape with acryl adhesif modified
Thickness: +/- 0,12 mm
Operating temperatures: -40 to +120°C
Application: for temporary fastening of trunking.



The double-sided adhesive tape* is attached to the base of the trunking, which is then temporarily held in position until final attachment is performed with plastic rivets.

type	article number	width of the tape (mm)	 m
PLIOBANDE double-sided adhesive tape			
RA9	0650 0201 000	9	50
RA15	0650 0202 000	15	50
RA19	0650 0203 000	19	50
RA25	0650 0204 000	25	50
RA30	0650 0205 000	30	50
RA50	0650 0206 000	50	50

* **IMPORTANT** Good adhesion with our products is achieved by a smooth, clean, dry and perfectly degreased surface, in general, we recommend preliminary tests.