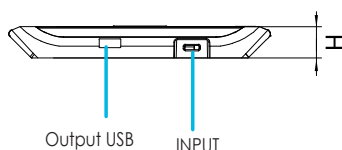
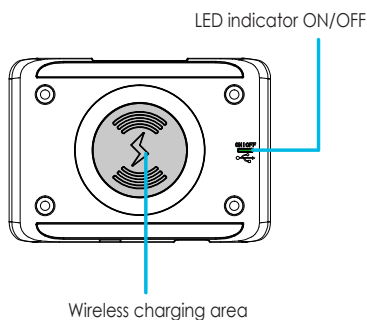
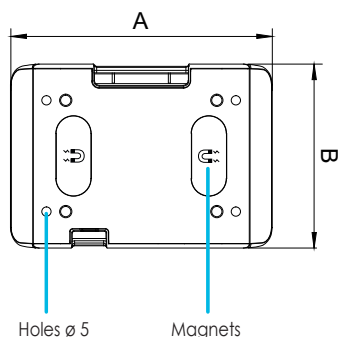


# BCB1-W

## WIRELESS CHARGING BASES



### Technical data

INPUT (USB)	5 V $\overline{\text{---}}$ 1.2 A max.
Wireless output	5 V $\overline{\text{---}}$ 5 W
OUTPUT (USB)	5 V $\overline{\text{---}}$ 1 A
Operating temperature	- 10°C ~ + 40°C
Protection class	III
Impact resistance	IK 07
Degree of protection	IP 20
Weight	190 g
Power supply inputs	100 - 240 V 50/60 Hz

### Description

- The BCB1-W charging base make it possible to keep the lamps fully charged meaning they are always ready for use. The magnetic construction allows quick attachment to metal surfaces along with holding the lamps in place during charging.
- The BCB1-W single base is designed to recharge a single lamp.

### Materials

- Body: ABS

### Accessories supplied

- USB charging cable
- power supply

### Commercial data

- Type: BCB1-W
- ETIM 7.0 code: EC001184
- GTIN (EAN13): 8051316021717
- Packaging: 1 pc

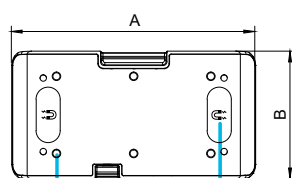
# BCB2-W

## WIRELESS CHARGING BASES

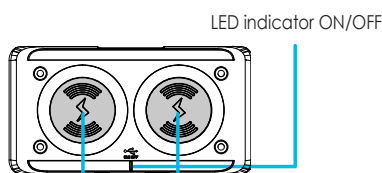


### Technical data

INPUT (USB)	5 V $\overline{\text{---}}$ 2.2 A max.
Wireless output	5 V $\overline{\text{---}}$ 10 W
OUTPUT (USB)	5 V $\overline{\text{---}}$ 1 A
Operating temperature	- 10°C ~ + 40°C
Protection class	III
Impact resistance	IK 07
Degree of protection	IP 20
Weight	270 g
Power supply inputs	100 - 240 V 50/60 Hz



Holes ø 5 Magnets



Wireless charging area



Output USB INPUT

### Description

- The BCB2-W charging base make it possible to keep the lamps fully charged meaning they are always ready for use. The magnetic construction allows quick attachment to metal surfaces along with holding the lamps in place during charging.
- The BCB2-W allows 2 lamps to be charged at the same time

### Materials

- Body: ABS

### Accessories supplied

- USB charging cable
- power supply

### Commercial data

- Type: BCB2-W
- ETIM 7.0 code: EC001184
- GTIN (EAN13): 8051316021731
- Packaging: 1 pc

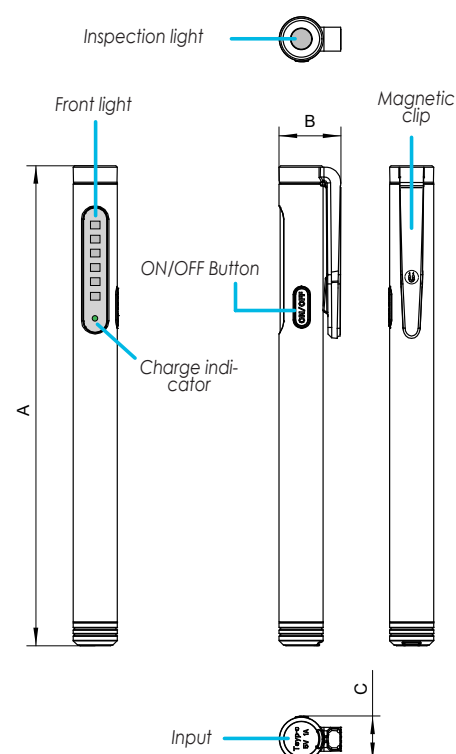
# CBL01

## POCKET TORCH



### Technical data

Emission	Front light	Inspection light
Nominal power	1,5 W (SMD)	0,9 W (SMD)
Luminous flux	150 lm	70 lm
Lighting autonomy	2,5 h	3,5 h
Color temperature	6500 K	
Operating temperature	- 10°C ~ + 40°C	
Protection class	III	
Impact resistance	IK 07	
Degree of protection	IP 20	
Charging time	~ 2,2 h	
Rechargeable battery	Li-poly 3.7 V ; 600 mAh	
Lamp input	5 V ⎓ 1 A	
Weight	38 g	
Dimensions (A x B x C)	160 x 20 x 15 mm	



### Description

- The handy CBL01 torch is the size of a pen and is equipped with a double light point to illuminate small work areas.
- The front light allows you to illuminate the area while leaving it in your pocket, while the front light allows you to inspect less accessible areas.
- The clip is equipped with a magnet allowing it to be attached to any metal surface, freeing the operator's hands

### Accessories supplied

- USB charging cable - USB type C

### Commercial data

- Type: CBL01
- ETIM 7.0 code: EC000987
- GTIN (EAN13): 8051316021755
- Packaging: 1 pc

# CBL02-W

## HEAD TORCH



### Technical data

Nominal power	3.5 W (COB)
Luminous flux	400 lm (100%) 80 lm (20 %)
Lighting autonomy	3 h (100%) 5 h (20%)
Color temperature	5700 K
Operating temperature	- 10°C ~ + 40°C
Protection class	III
Impact resistance	IK 08
Degree of protection	IP 54
Charging time	~ 3 h
Rechargeable battery	Li-poly 3.7 V ; 1500 mAh
Lamp input	5 V $\overline{\text{---}}$ 1 A (USB tipo C)
Weight	105 g
Dimensions (A x B x C)	39 x 77 x 38 mm

### Description

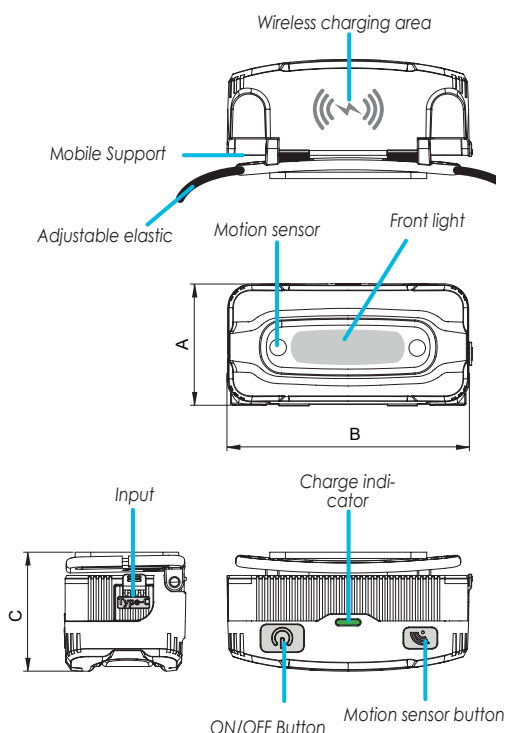
- Ideal for any indoor or outdoor activity requiring localised lighting and freedom of action, the CBL02-W head torch is equipped with a touch sensor allowing operation even whilst wearing gloves.
- The light intensity can be modulated via the dimmer function helping to preserve battery life.
- The CBL02-W is a versatile head torch adjustable by means of an elastic band to fit work helmets of various sizes.

### Accessories supplied

- USB charging cable - USB type C
- Battery charger: 100 - 240 V 50/60 Hz

### Commercial data

- Type: CBL02-W
- ETIM 7.0 code: EC000987
- GTIN (EAN13): 8051316021779
- Packaging: 1 pc



# CBL03-W

## MULTIPURPOSE LAMP



### Technical data

Emission	Front light	Torch
Nominal power	3 W (COB)	1 W (SMD)
Luminous flux	300 lm	100 lm
Dimmer function	100-300 lm	-
Lighting autonomy	3 h	6 h
Color temperature	5700 K	
Operating temperature	- 10°C ~ + 40°C	
Protection class	III	
Impact resistance	IK 08	
Degree of protection	IP 65	
Charging time	~ 3 h	
Rechargeable battery	Li-poly 3.7 V ; 1500 mAh	
Lamp input	5 V ⚡ 1 A (USB tipo C)	
Weight	190 g	
Dimensions (A x B x C)	133 x 68 x 25 mm	

### Description

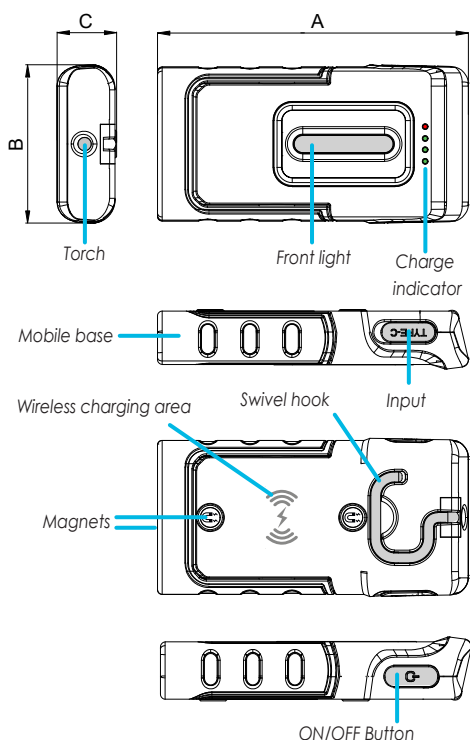
- The CBL03-W multi-purpose lamp is a mini-lamp that can be used on a table or hung on metal surfaces thanks to the handy magnet or the suspension hook.
- It is equipped with an ergonomic non-slip handle to make it easy to use.
- The 2 light points with dimmer function allow you to modulate the intensity and battery life as needed.
- The compact design makes it ideal as a pocket lamp for storage in a jacket pocket or work trousers.

### Accessories supplied

- USB charging cable - USB type C
- Battery charger: 100 - 240 V 50/60 Hz

### Commercial data

- Type: CBL03-W
- ETIM 7.0 code: EC000987
- GTIN (EAN13): 8051316021793
- Packaging: 1 pc



# CBL04-W

## SPACE-SAVING FLOOR LAMP



### Technical data

Emission	Front light	Inspection light
Nominal power	6 W (COB)	1 W (SMD)
Luminous flux	600 lm	100 lm
Dimmer function	100-600 lm	-
Lighting autonomy	2.5 h	8 h
Color temperature	5700 K	
Operating temperature	- 10°C ~ + 40°C	
Protection class	III	
Impact resistance	IK 08	
Degree of protection	IP 54	
Charging time	~ 3.5 h	
Rechargeable battery	Li-poly 3.7 V ; 2600 mAh	
Lamp input	5 V ⚡ 1 A (USB tipo C)	
Weight	246 g	
Closed rod dimensions (A x B x C)	175 x 44 x 38 mm	
Open rod dimensions (L x B x C)	325 x 44 x 38 mm	

### Description

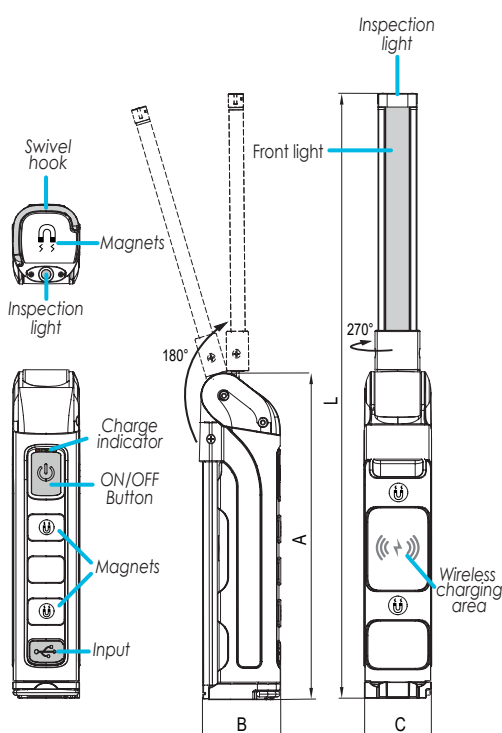
- The most versatile of the family is the CBL04-W, which has a double light point, 2 dimmable light intensities, a rotatable and foldable stem and allows ideal lighting in all conditions.
- The double magnetic support and the suspension hook allow the lamp to be secured anywhere with ease.
- Designed to be easy to carry in a bag or trouser pocket whilst also offering excellent battery life and low weight portability.
- The compact design ensures the CBL04-W is the ideal solution for inspecting difficult to reach areas

### Accessories supplied

- USB charging cable - USB type C
- Battery charger: 100 - 240 V 50/60 Hz

### Commercial data

- Type: CBL04-W
- ETIM 7.0 code: EC000987
- GTIN (EAN13): 8051316021816
- Packaging: 1 pc



# CBL05-W

## PORTABLE LAMP



### Technical data

Emission	Frontal light	Torch
Nominal power	6 W (COB)	1 W (SMD)
Luminous flux	600 lm	100 lm
Dimmer function	100-600 lm	-
Lighting autonomy	2.5 h	10 h
Color temperature	5700 K	
Operating temperature	- 10°C ~ + 40°C	
Protection class	III	
Impact resistance	IK 08	
Degree of protection	IP 65	
Charging time	~ 3.5 h	
Rechargeable battery	Li-poly 3.7 V ; 2600 mAh	
Lamp input	5 V ⚡ 1 A (USB tipo C)	
Weight	246 g	
Dimensions (A x B x C)	205 x 55 x 40 mm	

### Description

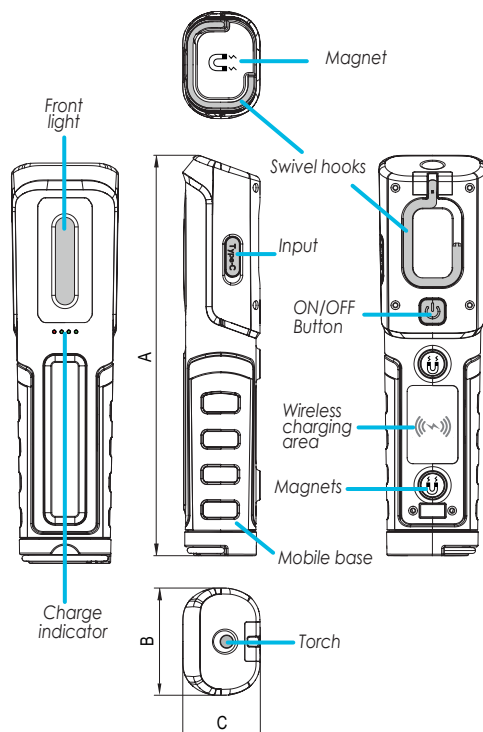
- An ergonomic bi-component plastic handle makes the CBL05-W the most comfortable and robust lamp in the series, particularly suited to lengthy inspection work.
- Featuring two light points, dimmer function and a long battery life.
- Equipped with magnetic table support with retractable suspension hook.

### Accessories supplied

- USB charging cable - USB type C
- Battery charger: 100 - 240 V 50/60 Hz

### Commercial data

- Type: CBL05-W
- ETIM 7.0 code: EC000987
- GTIN (EAN13): 8051316021647
- Packaging: 1 pc



# CBL06

## PORTABLE SPOTLIGHT

for small-medium work environments



### Technical data

Nominal power	20 W (COB)
Luminous flux	2000 lm (100%) 1000 lm (50%)
Lighting autonomy	3.5 h (100%) 5.5 h (50%)
Color temperature	5700 K
Operating temperature	- 10°C ~ + 40°C
Protection class	III
Impact resistance	IK 08
Degree of protection	IP 65
Charging time	~ 5 h
Rechargeable battery	Li-poly 3.7 V ; 4000 mAh
Lamp input	5 V $\overline{\text{---}}$ 1 A (USB tipo C)
OUTPUT (USB)	5 V $\overline{\text{---}}$ 1 A
Weight	800 g
Dimensions (A x B x C)	195 x 125 x 48 mm

### Description

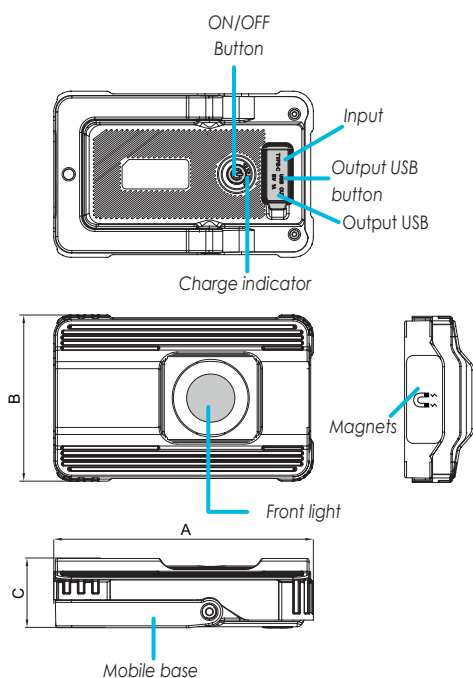
- The CBL06 portable spotlight meets the requirement of those who need to illuminate small-medium work environments.
- The magnetic table mount allows the spotlight to be secured to metal surfaces.
- The power bank function allows small devices to be charged via the USB output, useful for emergency situations.

### Accessories supplied

- USB charging cable - USB type C
- Battery charger: 100 - 240 V 50/60 Hz

### Commercial data

- Type: CBL06
- ETIM 7.0 code: EC000987
- GTIN (EAN13): 8051316021656
- Packaging: 1 pc





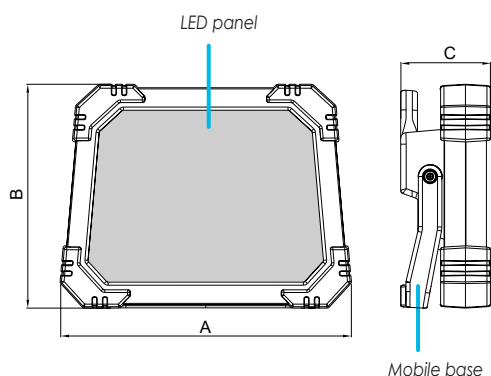
# CBL07

## PORTABLE SPOTLIGHT

for large work environments

### Technical data

Nominal power	27 W (96 x SMD)
Luminous flux	3000 lm (100%) 1500 lm (50%)
Lighting autonomy	3 h (100%) 6 h (50%)
Color temperature	5700 K
Operating temperature	- 10°C ~ + 40°C
Protection class	III
Impact resistance	IK 08
Degree of protection	IP 65
Charging time	~ 5.5 h
Rechargeable battery	Li-poly 14.8 V ; 4000 mAh
Lamp input	16.8 V $\overline{\text{---}}$ 1 A
OUTPUT (USB)	5 V $\overline{\text{---}}$ 1 A
Weight	1400 g
Dimensions (A x B x C)	277 x 213 x 86 mm



### Description

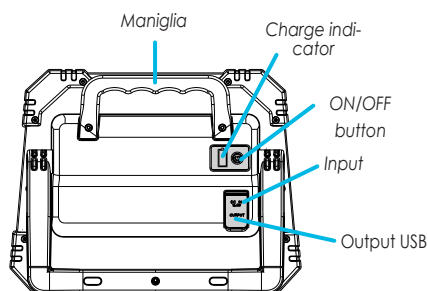
- The diffused light emitted by the CBL07 spotlight enables the illumination of large areas.
- Light, practical and sturdy, this spotlight is quick to install.
- The power bank function allows small devices to be charged via the USB output, useful for emergency situations.

### Accessories supplied

- Battery charger: 100 - 240 V 50/60 Hz

### Commercial data

- Type: CBL07
- ETIM 7.0 code: EC000987
- GTIN (EAN13): 8051316021687
- Packaging: 1 pc



# TRCB2

## EXTENDABLE TRIPOD

suitable for CBLIGHT range



### Dimensions and weight

Maximum height	2010 mm
Base dimension (Ø)	1 m
Weight	3200 g

### Certificazions and approvals

ROHS compliant	Yes
REACH compliant	Yes

### Logistics

Packaging height	1100 mm
Packaging width	150 mm
Packaging length	150 mm
Unit in minimal packaging	1
Minimum order quantity	1
Unit in standard packaging	1

### Classifications and data ordering

ETIM class 7	EC000987
--------------	----------

# CBL08HD

## LED LAMP, 2000 LUMEN



### Accessories available on request

- Battery **CB1820L**

---

- Battery **CB1852L**

---

- Battery charger **ASC55-EU**

---

- Battery charger **ASC55-UK**

---

- Battery charger **ASC30-36-USA/CA**

---

- Battery charger **ASC30-36-AUS/NZ**

---

- Power supply **PSCB18-EU**

---

- Power supply **PSCB18-UK**

### Technical information

Luminous flux intensity	200 - 2000 lm
Dimmer	Yes
Range of operating temperature	- 10 + 40 °C
Remaining charge indicator	Yes
IP protection degree	IP30
Impact resistance	IK07
Power	16 W
Power bank function	Yes
Autonomy with 18V 5.2Ah battery (CB1852L)	5,75 - 58 h

### Dimensions and weight

Height	161 mm
Width	164 mm
Length	78 mm
Weight	720 g

### Certification and approvals

CE marking	Yes
UKCA marking	Yes
ROHS compliant	Yes
REACH compliant	Yes

### Logistics

Packaging height	168 mm
Packaging width	172 mm
Packaging length	80 mm
Unit in minimal packaging	1
Minimum order quantity	1
Unit in standard packaging	1

### Classifications and data ordering

Elettrocode	331
ETIM class 7	EC000987

# CBL09HD

## LED LAMP, 4000 LUMEN



### Accessories available on request

- Battery **CB1820L**

---

- Battery **CB1852L**

---

- Battery charger **ASC55-EU**

---

- Battery charger **ASC55-UK**

---

- Battery charger **ASC30-36-USA/CA**

---

- Battery charger **ASC30-36-AUS/NZ**

---

- Power supply **PSCB18-EU**

---

- Power supply **PSCB18-UK**

---

- Tripod **TRCB1**

### Technical information

Luminous flux intensity	400 - 4000 lm
Dimmer	Yes
Range of operating temperature	- 10 + 40 °C
Remaining charge indicator	Yes
IP protection degree	IP65
Impact resistance	IK07
Power	30 W
Bluetooth	Yes
Power bank function	Yes
Autonomy with 18V 5.2Ah battery (CB1852L)	3 - 31 h

### Dimensions and weight

Height	263 mm
Width	230 mm
Length	119 mm
Weight	2360 g

### Certification and approvals

CE marking	Yes
UKCA marking	Yes
ROHS compliant	Yes
REACH compliant	Yes

### Logistics

Packaging height	270 mm
Packaging width	250 mm
Packaging length	135 mm
Unit in minimal packaging	1
Minimum order quantity	1
Unit in standard packaging	1

### Classifications and data ordering

Elettrocode	331
ETIM class 7	EC000987

# CBL10HD

## LED LAMP, 10000 LUMEN



### Accessories available on request

- Battery **CB1820L**
- Battery **CB1852L**
- Battery charger **ASC55-EU**
- Battery charger **ASC55-UK**
- Battery charger **ASC30-36-USA/CA**
- Battery charger **ASC30-36-AUS/NZ**
- Power supply **PSCB18-EU**
- Power supply **PSCB18-UK**
- Tripod **TRCB1**

### Technical information

Luminous flux intensity	1000 - 10000 lm
Dimmer	Yes
Range of operating temperature	- 10 + 40 °C
Remaining charge indicator	Yes
IP protection degree	IP65
Impact resistance	IK07
Power	75 W
Bluetooth	Yes
Power bank function	Yes
Autonomy with 18V 5.2Ah battery (CB1852L)	1,25 - 12 h

### Dimensions and weight

Height	304 mm
Width	292 mm
Length	131 mm
Weight	3720 g

### Certification and approvals

CE marking	Yes
UKCA marking	Yes
ROHS compliant	Yes
REACH compliant	Yes

### Logistics

Packaging height	312 mm
Packaging width	312 mm
Packaging length	139 mm
Unit in minimal packaging	1
Minimum order quantity	1
Unit in standard packaging	1

### Classifications and data ordering

Elettrocode	331
ETIM class 7	EC000987

# CBL11HD

## LED LAMP, 10000 LUMEN



### Technical information

Luminous flux intensity	500 - 10000 lm
Dimmer	Yes
Range of operating temperature	- 10 + 40 °C
Remaining charge indicator	Yes
IP protection degree	IP65
Impact resistance	IK07
Power	84 W
Bluetooth	Yes
Power bank function	Yes
Autonomy with 18V 5.2Ah battery (CB1852L)	1 - 22 h

### Dimensions and weight

Height	395 mm
Width	200 mm
Length	212 mm
Weight	3700 g

### Certification and approvals

CE marking	Yes
UKCA marking	Yes
ROHS compliant	Yes
REACH compliant	Yes

### Logistics

Packaging height	407 mm
Packaging width	206 mm
Packaging length	218 mm
Unit in minimal packaging	1
Minimum order quantity	1
Unit in standard packaging	1

### Classifications and data ordering

Elettrocode	331
ETIM class 7	EC000987

### Accessories available on request

- Battery **CB1820L**
- Battery **CB1852L**
- Battery charger **ASC55-EU**
- Battery charger **ASC55-UK**
- Battery charger **ASC30-36-USA/CA**
- Battery charger **ASC30-36-AUS/NZ**
- Power supply **PSCB18-EU**
- Power supply **PSCB18-UK**
- Tripod **TRCB1**

# CBL12HD

## LED LAMP, 5000 LUMEN



### Technical information

Luminous flux intensity	2500 - 5000 lm
Dimmer	Yes
Range of operating temperature	- 10 + 40 °C
Remaining charge indicator	Yes
IP protection degree	IP30
Impact resistance	IK07
Power	45 W
Power bank function	Yes
Autonomy with 18V 5.2Ah battery (CB1852L)	2 - 4,5 h

### Dimensions and weight

Height	892 mm
Width	121 mm
Length	153 mm
Weight	5200 g

### Certification and approvals

CE marking	Yes
UKCA marking	Yes
ROHS compliant	Yes
REACH compliant	Yes

### Logistics

Packaging height	940 mm
Packaging width	135 mm
Packaging length	153 mm
Unit in minimal packaging	1
Minimum order quantity	1
Unit in standard packaging	1

### Classifications and data ordering

Elettrocode	331
ETIM class 7	EC000987

### Accessories available on request

- Battery **CB1820L**
- Battery **CB1852L**
- Battery charger **ASC55-EU**
- Battery charger **ASC55-UK**
- Battery charger **ASC30-36-USA/CA**
- Battery charger **ASC30-36-AUS/NZ**
- Power supply **PSCB18-EU**
- Power supply **PSCB18-UK**

# PSCB18-EU

## POWER SUPPLY



### Technical information

Input voltage	100-240 V
Output voltage	18 V
Output power	90 W
Power frequency	50-60 Hz
Range of operating temperature	- 10 + 40 °C
IP protection degree	IP65
Impact resistance	IK07

### Dimensions and weight

Height	83 mm
Width	72 mm
Length	124 mm
Weight	1000 g

### Certification and approvals

CE marking	Yes
UKCA marking	Yes
ROHS compliant	Yes
REACH compliant	Yes

### Logistics

Packaging height	154 mm
Packaging width	80 mm
Packaging length	172 mm
Unit in minimal packaging	1
Minimum order quantity	1
Unit in standard packaging	1

### Classifications and data ordering

Elettrocode	334
ETIM class 7	EC000987



# PSCB18-UK

## POWER SUPPLY



### Technical information

Input voltage	100-240 V
Output voltage	18 V
Output power	90 W
Power frequency	50-60 Hz
Range of operating temperature	- 10 + 40 °C
IP protection degree	IP65
Impact resistance	IK07

### Dimensions and weight

Height	83 mm
Width	72 mm
Length	124 mm
Weight	1000 g

### Certification and approvals

CE marking	Yes
UKCA marking	Yes
ROHS compliant	Yes
REACH compliant	Yes

### Logistics

Packaging height	154 mm
Packaging width	80 mm
Packaging length	172 mm
Unit in minimal packaging	1
Minimum order quantity	1
Unit in standard packaging	1

### Classifications and data ordering

Elettrocode	334
ETIM class 7	EC000987

# TRCB1

## EXTENDABLE TRIPOD

suitable for CBLIGHT HD range



### Dimensions and weight

Maximum height	3000 mm
Minimum height	1350 mm
Base dimension (Ø)	1,2 m
Weight	6000 g

### Certifications and approvals

ROHS compliant	Yes
REACH compliant	Yes

### Logistics

Packaging height	1093 mm
Packaging width	148 mm
Packaging length	139 mm
Unit in minimal packaging	1
Minimum order quantity	1
Unit in standard packaging	1

### Classifications and data ordering

ETIM class 7	EC000987
--------------	----------

## SBCB-1



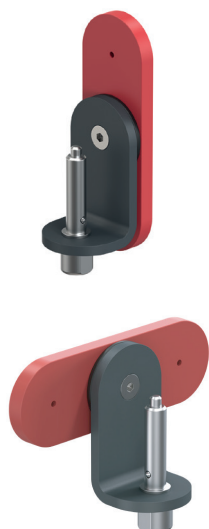
### SCAFFOLDING BRACKET

#### Technical information

Length [mm]	Width [mm]	Height [mm]	Weight [g]
170	105	60	910

Specially designed to fix CBL09HD and CBL10HD lamps on scaffoldings. The mount can be attached to any round object  $\varnothing$ 40-50 mm. Of same sturdy quality as standard fittings for scaffolding. The lamp can be tilted to the desired position in the mount and the installation is extremely flexible.

## MBCB-1



### MAGNET BRACKET

#### Technical information

Length [mm]	Width [mm]	Height [mm]	Weight [g]	Holding force [kg]
125	40	49	340	21,5

Compact and very powerful magnetic bracket designed for flexible mounting and positioning of CBL09HD on any metallic surface. The magnet is rubber-coated to protect and avoid scratching the surface. To obtain maximum flexibility the magnet is turnable and can be rotated to any desirable position. So, even where the magnetic surface available is limited, the flexible mounting bracket can be used. The simple and one-hand-operated mounting bracket ensures fast and secure installation, and the lamp can be tilted to any position required in the daily work. A built-in stop mechanism avoids the lamp from falling out of the bracket.

## MBCB-1D



### DOUBLE MAGNET BRACKET

#### Technical information

Length [mm]	Width [mm]	Height [mm]	Weight [g]	Holding force [kg]
260	40	53	780	43

Extremely powerful magnetic bracket designed for flexible mounting and positioning of CBL09HD and CBL10HD on any metallic surface. The bracket has 2 extremely powerful magnets. The magnets are rubber-coated to protect and avoid scratching the surface. To obtain maximum flexibility the magnets are turnable and can be rotated to any desirable position. So, even where the magnetic surface available is limited the flexible mounting bracket can be used. The simple and one-hand-operated mounting bracket ensures fast and secure installation, and the lamp can be tilted to any position required in the daily work. A built-in stop mechanism avoids the lamp from falling out of the bracket.