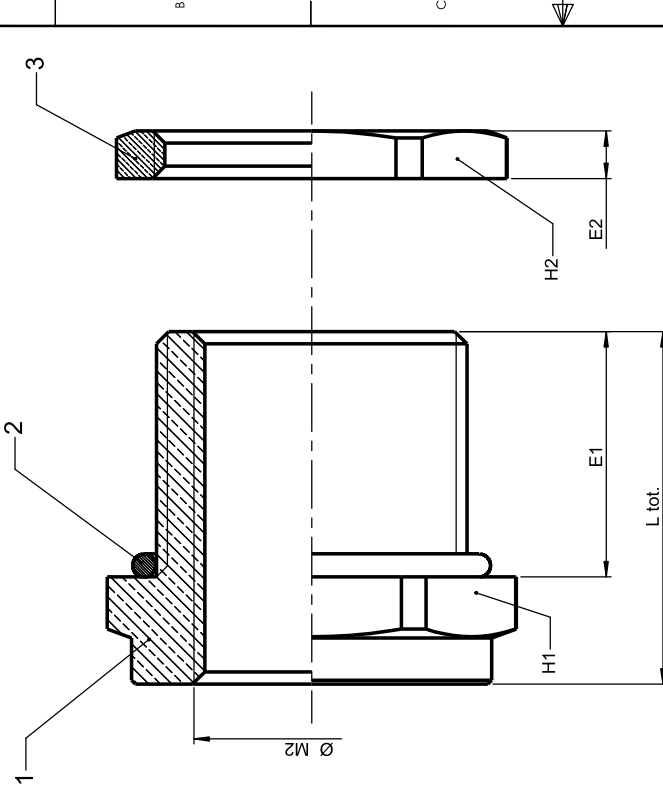


REDUCERS								
Threads	EDP Art. Nr. self color	EDP Art. Nr. nickel plated	Ø M1	Ø M2	H1 (mm)	E1 (mm)	L tot. (mm)	Weight (Kg)
M16-M12	D 8716 124	D 8716 125	M16	M12	18	16	22	0,020
M20-M12	D 8720 124	D 8720 125	M20	M12	24	16	23	0,050
M20-M16	D 8720 164	D 8720 165	M20	M16	24	16	23	0,034
M25-M16	D 8725 164	D 8725 165	M25	M16	28	16	23	0,068
M25-M20	D 8725 204	D 8725 205	M25	M20	28	16	23	0,047
M32-M20	D 8732 204	D 8732 205	M32	M20	36	16	24	0,121
M32-M25	D 8732 254	D 8732 255	M32	M25	36	16	24	0,087
M40-M25	D 8740 254	D 8740 255	M40	M25	44	16	24	0,183
M40-M32	D 8740 324	D 8740 325	M40	M32	44	16	24	0,121
M50-M32	D 8750 324	D 8750 325	M50	M32	55	16	26	0,308
M50-M40	D 8750 424	D 8750 425	M50	M40	55	16	26	0,210
M63-M40	D 8763 404	D 8763 405	M63	M40	70	16	28	0,548
M63-M50	D 8763 504	D 8763 505	M63	M50	70	16	28	0,548
M75-M50	D 8775 504	D 8775 505	M75	M50	80	16	28	0,687
M75-M63	D 8775 634	D 8775 635	M75	M63	80	16	28	0,415
M90-M63	D 8790 634	D 8790 635	M90	M63	95	20	35	1,130
M90-M75	D 8790 754	D 8790 755	M90	M75	95	20	35	0,746
M100-M75	D 8799 754	D 8799 755	M100	M75	110	22	38	1,440
M100-M90	D 8799 904	D 8799 905	M100	M90	110	22	38	0,815

N°	Designation	Material	Temperature
1	Reducer M-M	Brass CW614N	-40 / 100° C
2	O-Ring	Nitrile 70 Sh A	-40 / 100° C
3	Lock-nut	Brass CW614N	-40 / 100° C

PROPERTIES	
Type of protection :	Ex e / d
Equipment group :	II / II C
Category :	2 and 3
Atmosphere :	G and D
Zone :	1, 2, 21, 22
Temperature :	-40°C / 100°C
Protection grade :	IP66 / IP68



INDI MODIFICATIONS		MW	17-09-08	DATE	17-09-08	VERIFIE	
DESIGNATION :		DIMENSIONS :		ETAT FINAL :		ECH :	
MATERIE :		CODE :				X/X	
TOLERANCE GENE :		DATE : 06-11-06		VERIFIE PAR :		DATE : 06-11-06	
EXCLUS INCLUS		DISTRIBUTOR :		DESIGNER :		CLIENT :	
FIN MOYEN		Express TERM		M.WILHELM		A3	
		REDUCERS Ex e/d		37 Cable Depot Road, Riverside Industrial Estate		PLAN SIB N° :	
		Metric - Metric		Clydebank, United Kingdom, G81 1UJ		D 8700 000 A	
		Type Ac x, Model R x				SUIVANT NORME :	
						POIDS (g) :	
						8 SIB.060.ind.00	

## ATEX Ex d / e Thread Enlarger / Adaptor

Material : Brass

Characteristics : Metric sized hexagon fitting

Applications : For hazardous areas and environments

Type of protection : Ex d/e

Standards : EN 60079-0, 60079-1, 60079-7, 61241-0, 61241-1

Device group : II C

Category : 2 and 3

Atmosphere : G / D

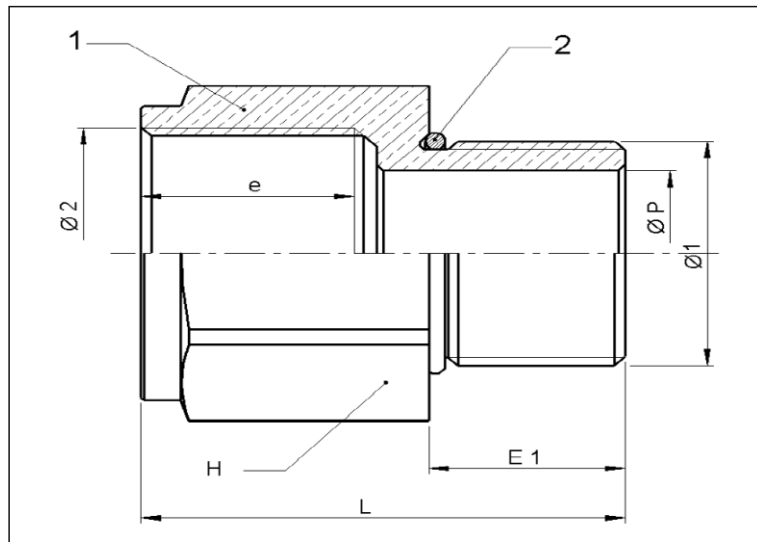
Zone : 1, 2, 21, 22

Temperature : -40 to 100 °C

IP Protection : IP66 / IP68



Male thread	Female thread	SW H mm	Thread length (E) mm	Complete Length (L) mm	P mm
M 12 x 1.5	M 16 x 1.5	19,0	15,0	37,0	7,0
M 16 x 1.5	M 20 x 1.5	23,0	15,0	37,0	11,0
M 20 x 1.5	M 25 x 1.5	28,0	15,0	37,0	15,0
M 25 x 1.5	M 32 x 1.5	36,0	15,0	38,0	20,0
M 32 x 1.5	M 40 x 1.5	44,0	15,0	38,0	26,0
M 40 x 1.5	M 50 x 1.5	55,0	15,0	39,0	34,0
M 50 x 1.5	M 63 x 1.5	70,0	16,0	41,0	42,0
M 63 x 1.5	M 75 x 1.5	80,0	17,0	45,0	55,0
M 75 x 1.5	M 90 x 1.5	95,0	18,0	52,0	67,0
M 90 x 1.5	M 100 x 1.5	110,0	22,0	56,0	80,0



Distributor :  
Express Electrical & Engineering Supplies Limited  
37 Cable Depot Road, Riverside Industrial Estate  
Clydebank, United Kingdom, G81 1UY

**expressTERM**  
■■■■■