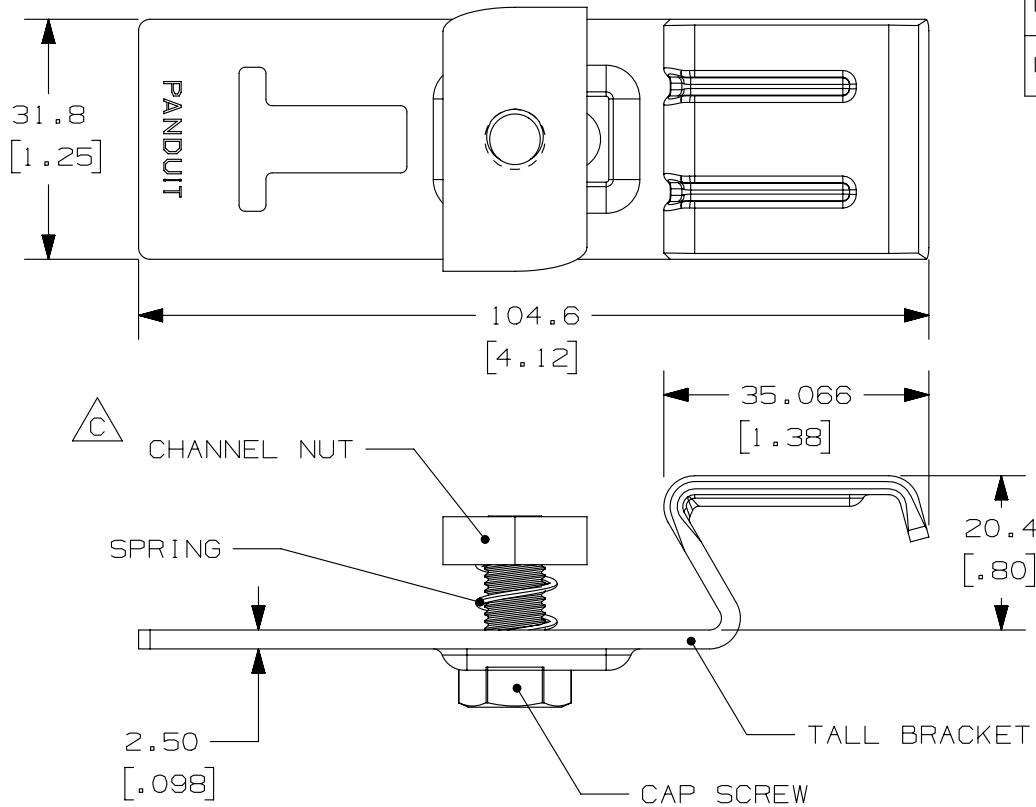


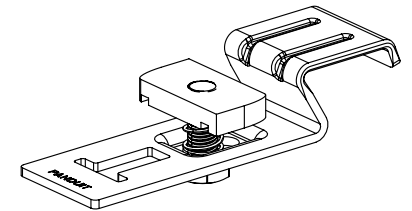
THIS COPY IS PROVIDED ON A RESTRICTED BASIS AND IS NOT TO BE USED IN ANY WAY DETRIMENTAL TO THE INTERESTS OF PANDUIT CORP.



| PANDUIT P/N | MATERIAL / FINISH | WEIGHT / PC |
|-------------|-------------------------------|-----------------------|
| UCSQ1-V316 | 316 STAINLESS STEEL | 112.0 g (.247 lbs) |
| UCSQ1-VC | COMMERCIAL STEEL / GALVANIZED | 113.5 g (.250 lbs) |

NOTES:

1. PRIMARY DIMENSIONS IN METRIC (mm). DIMENSIONS IN [] ARE ENGLISH [in].
2. THIS PRODUCT INTENDED FOR USE WITH STRUT-TYPE LADDER RACK IN GALVANIZED STEEL, STAINLESS STEEL, OR ALUMINUM CONSTRUCTIONS.
3. EACH ASSEMBLY INCLUDES:
 (1) TALL BRACKET PIECE
 (1) CHANNEL NUT
 (1) M8 X 1.25 X 20mm HEX HEAD CAP SCREW
 (1) COMPRESSION SPRING



| REV | DATE | BY | CHK | APR | DESCRIPTION | ECN |
|-----|----------|------|------|------|---|-------------|
| 2 | 07-22-14 | JBN | RMHI | RGRO | C. REVISED COMPONENT CHANNEL NUT AFFECTING NOTE 3 AND PART WEIGHT | 12L025AT-DC |
| - | ----- | ---- | ---- | ---- | RELEASED TO PRODUCTION | ----- |
| 1 | 06-17-14 | RMHI | RMHI | RGRO | B. UPDATED WEIGHTS IN TABLE A. REVISED TITLE | 12L025AT-DC |
| R | 04-30-14 | JBN | RMHI | | DRAWING RELEASED | |

| TITLE | | DRAWING NUMBER: | |
|--|----------|---------------------------|--------|
| UNICLIP STRUT-TYPE BRACKET UCSQ1 | | 12L025AT-DC | |
| CUSTOMER DRAWING | | | |
| ITEM REVISION NAME | | MATERIAL: | |
| 12L025AT/04 | | SEE CHART | |
| DATASET FILE NAME | | DRAWING NUMBER: | |
| 12L025AT_DC/04A | | 12L025AT-DC | |
| UNLESS OTHERWISE SPECIFIED, DIMENSIONAL TOLERANCES ARE: IN [mm] | | | |
| .x ± .3 [.01] | | .xxx ± .127 [.005] | |
| .xx ± .25 [.010] | | ANGLES ± 5° | |
| | | THIRD ANGLE PROJECTION | |
| DRAWN BY | DATE | CHK | SCALE |
| JBN | 04-23-14 | RMHI | N.T.S. |
| SHT 1 OF 1 | | | A |